

Champion®

The Dishwashing Machine Specialists

Project _____
Item No. _____
Quantity _____

PRO SERIES RACK CONVEYOR

STANDARD FEATURES

- Perpetual rack advance system, with intuitive jam alert, and drive protection
- Proportional rinse, delivering unmatched total ware coverage, utilizing digital pattern cloning, stainless steel nozzles
- 209 racks per hour
- 100 GPH with energy sentinel (idle pump shut-off)
- Prodigy series HMI display, intuitive condition alerts, with user friendly cleaning and operation visual guidance, multi-lingual, touch control
- Proactive maintenance interface, self-diagnostics, problem recognition, with repair recommendation, from HMI touch screen
- Programmable machine dwell with automatic rack alignment into the optimal wash zone
- Leak-proof ball valve drains
- Single-piece hood design
- Single-piece stainless steel upper and lower wash arm manifolds
- Single point electrical connection, machine and built-in booster heater
- 20" standard vertical clearance which accommodates 18" x 26" sheet pans
- Full 180° opening leak proof insulated hinged access doors
- Stainless steel heavy gauge construction including base, legs and feet
- Enclosure panels (front and sides)
- 2 HP pump motor, with stainless steel impeller
- Factory Authorized Start-up
- Vent fan control
- **ENERGY STAR® Qualified**
- **Made in America**



PRO SERIES

66 PRO Electric

High Temperature Rack Conveyor
Dishwashing Machine



Model 66 PRO shown with vent cowl and damper option



Photo is for general visual representation only. Please refer to specifications for the latest detailed product information.

SPECIFIER STATEMENT

Specified unit will be Champion Model 66 PRO Series high temperature rack conveyor dishwashing machine. Features top mounted Prodigy HMI user interface controls with proactive maintenance software, proportional rinse, using only 100 GPH, built-in 21 kW booster, progressive anti-jam drive system, energy sentinel (idle pump shut-off), 209 racks per hour, single-piece hood design, single-piece stainless steel upper & lower wash arms manifolds, full 180° opening leak proof insulated hinged access doors.

1 year parts and labor warranty.

Champion Industries, Inc.
3765 Champion Blvd., Winston-Salem, NC 27105
Tel: 336/661-1556 Fax: 336/661-1979
www.championindustries.com

PRO SERIES

66 PRO Electric

High Temperature Rack Conveyor
Dishwashing Machine

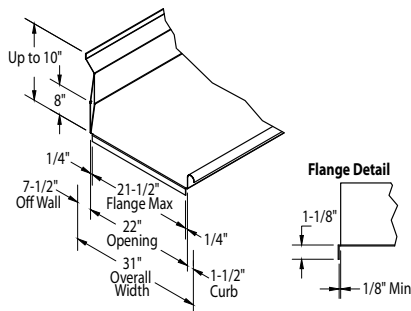
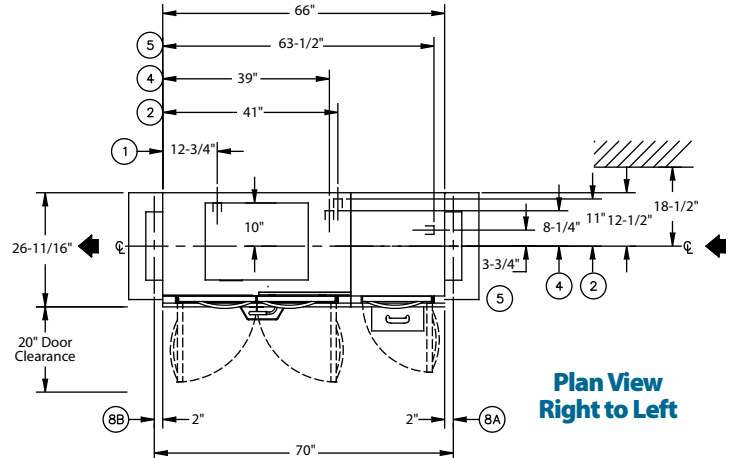
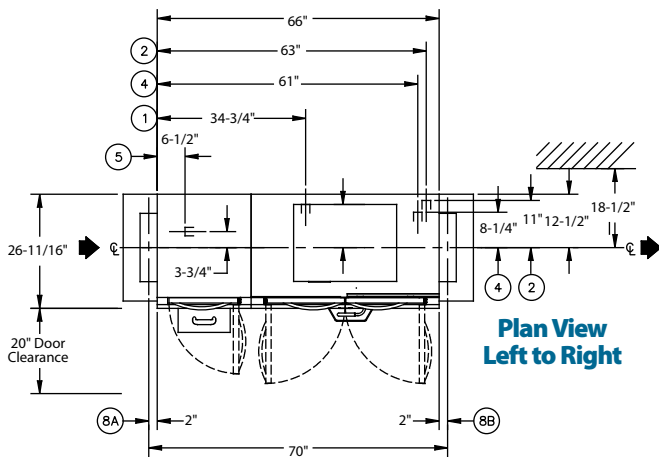
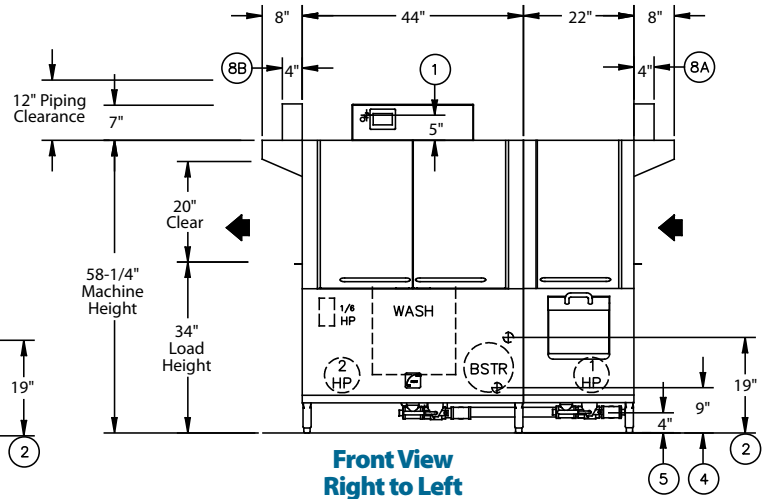
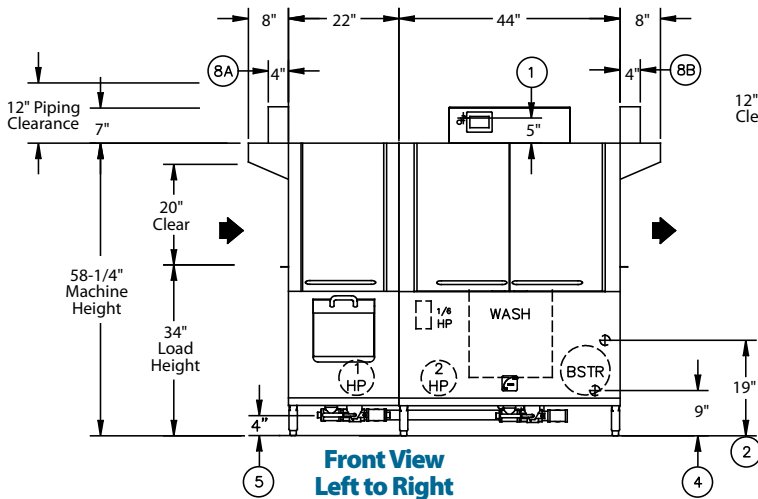
Champion®

The Dishwashing Machine Specialists

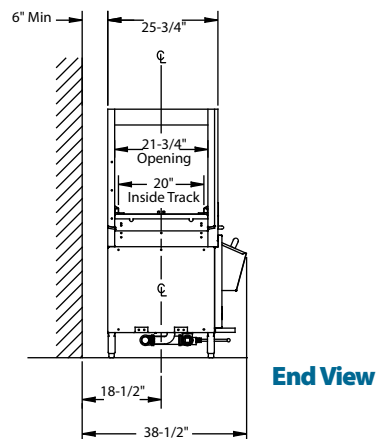
MODEL 66 PRO

Shipping weight crated: **600 lbs.**

Dimensions shown in inches [mm]



Suggested Table Construction



Due to an ongoing value analysis program at Champion, specifications contained in this catalog are subject to change without notice.

Champion Industries, Inc., 3765 Champion Blvd., Winston-Salem, NC 27105 • 336/661-1556 • Fax: 336/661-1979 • www.championindustries.com

PRO SERIES

66 PRO Electric

High Temperature Rack Conveyor
Dishwashing Machine

Champion®

The Dishwashing Machine Specialists

Utilities	
1	Electrical Connection A Machine electrical connection and booster electrical connection
2	Hot Water Machine with built-in booster Main connection 1/2" NPT
4	Hot Water Machine with no booster Main water connection 1/2" NPT
5	Drain Connection 1 1/2" NPT
8	Vents A Stack connection - Load end 200 CFM @ 1/4" static pressure B Stack connection - Unload end 400 CFM @ 1/4" static pressure

Warning: Plumbing and electrical connections should be made by qualified personnel who will observe all the applicable plumbing, sanitary, safety codes and the National Electrical Code.

Note: Water Hammer Arrestor (meeting ASSE-1010 standard or equivalent) to be supplied (by others) in common water supply line at service connection.

Plumbing Notes: Because of the variation in house-supplied steam and water pressures, steam and water pressure regulating valves (PRVs) may be needed. (Water PRV is standard on machines with booster.) The PRVs can either be purchased from Champion or obtained locally.

Venting Notes: Fabricated duct size: 3-7/8" x 15-7/8" (Outside dimensions)

Single Tank PRO Rack With 22 Prewash Machine and Booster Ratings

The tables below give the ratings for each model. The ratings include the requirements of the 12 and 21 KW booster heaters when they are use.

Machines with a single point electrical connection:

66 PRO Electric Tank Heat, 21 kW 70° Booster			
Electrical Specifications	Rated Amps	Minimum Supply Circuit Ampacity	Maximum Overcurrent Protective Device
208/60/1	199	250	250
208/60/3	113	150	150
240/60/1	174	225	225
240/60/3	99	125	125
480/60/3	49	70	70
575/60/3	41	60	60

66 PRO Electric Tank Heat, 12 kW 40° Booster			
Electrical Specifications	Rated Amps	Minimum Supply Circuit Ampacity	Maximum Overcurrent Protective Device
208/60/1	156	200	200
208/60/3	88	110	110
240/60/1	136	175	175
240/60/3	77	100	100
480/60/3	38	50	50
575/60/3	32	40	40

66 PRO Electric Tank Heat, No Booster			
Electrical Specifications	Rated Amps	Minimum Supply Circuit Ampacity	Maximum Overcurrent Protective Device
208/60/1	98	125	125
208/60/3	55	70	70
240/60/1	86	100	100
240/60/3	48	60	60
480/60/3	24	30	30
575/60/3	20	25	25

SPECIFICATIONS

Capacity

Racks per hr. (NSF rated)	209
Wash/Pre-Wash tanks (US gal).	27
Conveyor speed (ft/min.)	5.8

Motor Horsepower

Drive	1/6
Wash	2
Pre-Wash	1

Water Consumption

US Gal. per hr. (max. use).	100
US Gal. per rack.	0.48

Heating

Tank Heat, electric (kW)	15
Electric booster (built-in) (kW supplied for 40°F rise)	12
Electric booster (built-in) (kW supplied for 70°F rise)	21

Booster heaters completely inter plumbed, controls are interwired

Venting

Load end (minimum CFM)	200
Unload end (minimum CFM).	400

Standard 20" x 20" rack complement

Peg	1
Flat	1

Machines with a dual point electrical connection:

66 PRO Electric 21 kW Booster Only			
Electrical Specifications	Rated Amps	Minimum Supply Circuit Ampacity	Maximum Overcurrent Protective Device
208/60/1	101	125	125
208/60/3	59	80	80
240/60/1	88	110	110
240/60/3	51	70	70
480/60/3	26	35	35
575/60/3	22	30	30

66 PRO Electric 12 kW Booster Only			
Electrical Specifications	Rated Amps	Minimum Supply Circuit Ampacity	Maximum Overcurrent Protective Device
208/60/1	58	80	80
208/60/3	34	45	45
240/60/1	50	70	70
240/60/3	29	40	40
480/60/3	15	20	20
575/60/3	12	15	15

Due to an ongoing value analysis program at Champion, specifications contained in this catalog are subject to change without notice.

Champion Industries, Inc., 3765 Champion Blvd., Winston-Salem, NC 27105 • 336/661-1556 • Fax: 336/661-1979 • www.championindustries.com

PRO SERIES

PRO SERIES RACK CONVEYOR

66 PRO Electric

High Temperature Rack Conveyor
Dishwashing Machine

OPTIONS & ACCESSORIES

- Tank heat: choice of steam coil, electric
 - Two-Point electrical connection, separate for machine and booster (completed in the field by a licensed electrician)
 - 48" Blower-dryer – steam or electric (*see Blower Dryer spec sheet*)
 - Booster Heaters (completely interplumbed, controls are interwired)
 - Steam: 70°F rise (*see 66 PRO steam spec sheet*)

 - Electric: 40-70°F rise (built-in only)
 - 24" Sideload
 - 30" Sideload (accepts sheet pans)
 - Racks: peg or flat racks (specify type)
 - Table limit switch, unmounted (recommended on all rack conveyor installations)
 - Vent cowl, stainless steel with 7" stack and locking damper
- Water pressure regulating valve (unmounted)
(standard with booster)
- Water hammer kit (unmounted)
 - Drain tempering kit (unmounted)
 - Model CCT 90 (90° Corner Conveyor Table)
 - Model RCT 64 or RCT 84 Roller Conveyor Table
(See factory for custom length)
 - Splash shields
 - NEW** Champion Ventless Heat Recovery
(*see 66 PRO-VHR spec sheet*)
 - ION scale prevention device (unmounted)

Champion[®]

The Dishwashing Machine Specialists



NEW CCT 90

90° Corner Conveyor Table (shown)



**Cantilever
Sideloader**

(No hood)



**Model RCT 64
or RCT 84**

Roller
Conveyor Table

Champion Industries, Inc.,
3765 Champion Blvd., NC 27105
336/661-1556 • Fax: 336/661-1979
ChampionIndustries.com

Champion Industries, Inc.,
2674 N. Service Rd.
Jordan Station
Ontario, Canada L0R 1S0
• 800/263-5798 • Fax 905/562-4618
Champion industries.com/canada 8/17

an Ali Group Company



The Spirit of Excellence