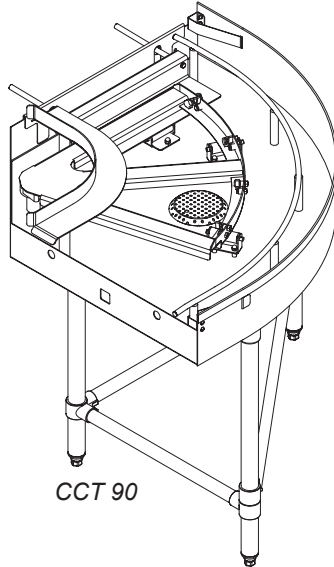


# Champion<sup>®</sup>



## *Installation Manual with Service Replacement Parts*



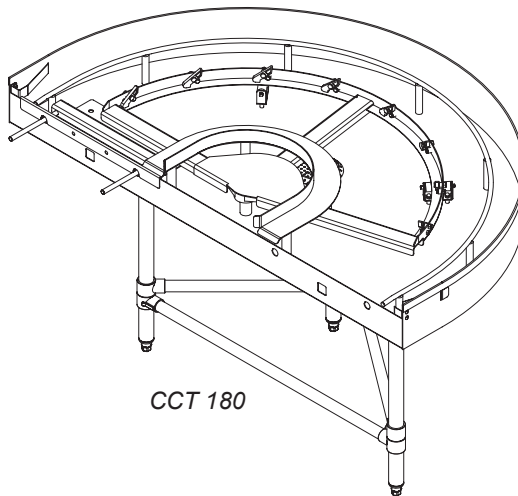
CCT 90

### **Circular Conveyor Table**

Models:

**CCT 90**  
90° Table

**CCT 180**  
180° Table



CCT 180

Issue Date: 3.14.11

**Manual P/N 114592 rev. C**

3765 Champion Boulevard,  
Winston-Salem, NC 27105  
336/661-1556 Fax: 336/661-1660  
Toll-free: 800.858.4477

2674 N. Service Road, Jordan Station  
Ontario, Canada L0R 1S0  
905/562-4195 Fax: 905/562-4618  
Toll-free: 800.263.5798

Printed in the USA



For future reference, record your dishwasher information in the box below.

|                          |                                |                        |
|--------------------------|--------------------------------|------------------------|
| Model Number _____       | Serial Number <u>N/A</u> _____ |                        |
| Voltage <u>N/A</u> _____ | Hertz <u>N/A</u> _____         | Phase <u>N/A</u> _____ |
| Service Agent _____      | Tel: _____                     |                        |
| Parts Distributor _____  | Tel: _____                     |                        |

**National Service Department**

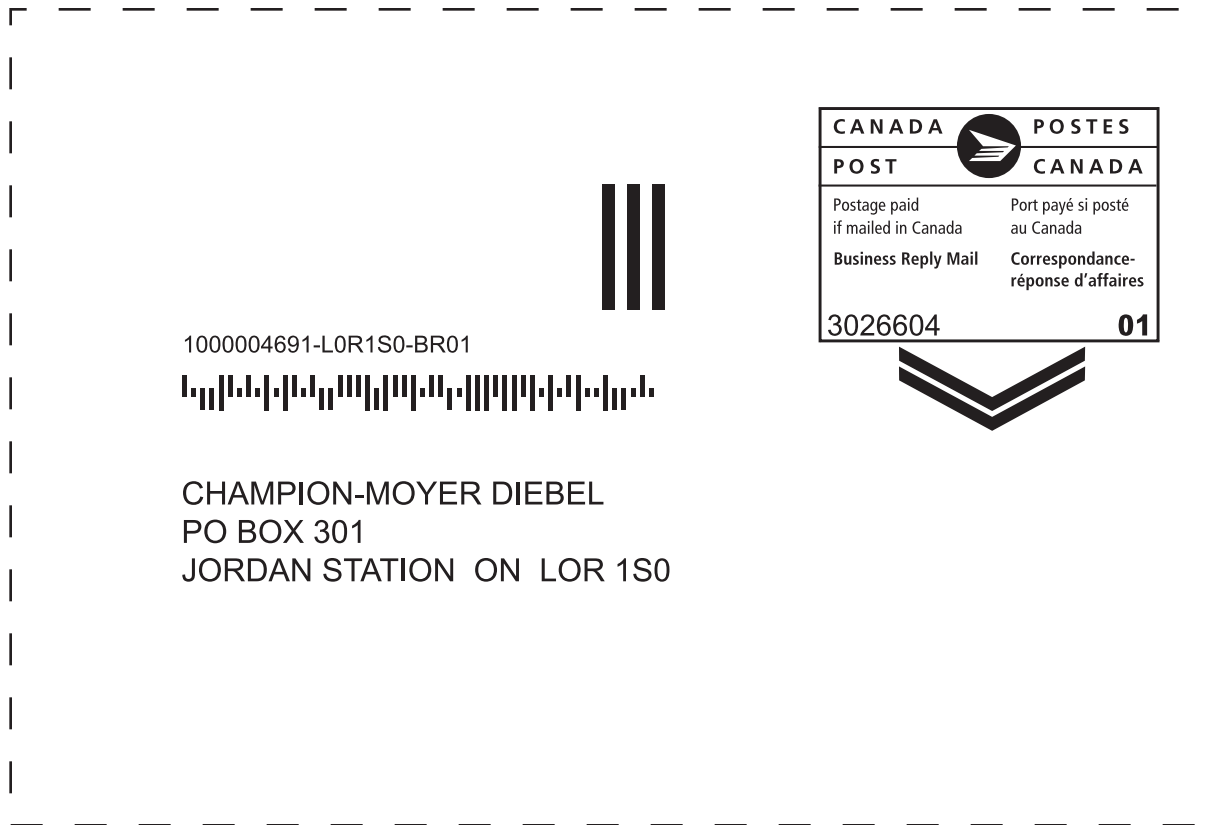
**In Canada:**

Toll-free: 800/ 263-5798  
Tel: 905/ 562-4195  
Fax: 905/ 562-4618  
email: [service@moyerdiebellimited.com](mailto:service@moyerdiebellimited.com)

**In the USA:**

Toll-free: 800/ 858-4477  
Tel: 336/ 661-1556  
Fax: 336/ 661-1660  
email: [service@championindustries.com](mailto:service@championindustries.com)

*The USGBC and the CaGBC Member Logos are trademarks owned by the U.S. Green Building Council and The Canadian Green Building Council, respectively, and are used by permission. The logos signify only that Champion Industries is a USGBC member and CaGBC member; USGBC and CaGBC do not review, certify nor endorse the products or services offered by its members.*



**In Canada you can Register by Postage Paid Mail:**

Cut along the dashed lines, then complete the back of the postage paid card above and mail immediately to validate your machine warranty.

**OR**

# REGISTER YOUR PRODUCT ONLINE

*Make sure you are connected to the internet then click or enter the address below.*

**In the U.S.A**

**<http://www.championindustries.com/register>**

**In Canada**

**<http://www.championindustries.com/canada/register>**

# PRODUCT REGISTRATION CARD

Model

Serial #

Date of Installation: \_\_\_/\_\_\_/\_\_\_

Company Name: \_\_\_\_\_

Address: \_\_\_\_\_  
(Street) Province Postal Code

Telephone #: ( ) \_\_\_\_\_ --- \_\_\_\_\_

Contact: \_\_\_\_\_

Installation Company: \_\_\_\_\_

Address: \_\_\_\_\_

Telephone #: \_\_\_\_\_

Contact: \_\_\_\_\_

**FAILURE TO REGISTER YOUR PRODUCT MAY VOID YOUR WARRANTY**

**IMPORTANT IMPORTANT**

## REGISTER YOUR PRODUCT ONLINE

*Make sure you are connected to the internet then click or enter the address below.*

**In the U.S.A**

<http://www.championindustries.com/register>

**In Canada**

<http://www.championindustries.com/canada/register>

## Revision History

The Revision History can contain part number changes, new instructions, or information that was not available at print time.

- We reserve the right to make changes to these instructions without notice and without incurring any liability by making the changes..
- Equipment owners may request a revised manual, at no charge, by calling 1 (800) 858-4477 in the USA or by calling 1 (800) 263-5798 in Canada.

| <b>Revision Date</b> | <b>Revised Pages</b> | <b>Serial Number Effectivity</b> | <b>Revision Description</b>                           |
|----------------------|----------------------|----------------------------------|---|
| 2/27/09              | All                  | N/A                              | Released First Edition                                |
| 5/13/09              | 7                    | N/A                              | Changed Item 19,<br>P/N 332877 to P/N 314352          |
| 2.15.10              | 11                   | N/A                              | Changed Item 13,<br>P/N 332745 to P/N 332344          |
| 3.14.11              | 11                   | N/A                              | Changed Item 25 to P/N 100735<br>Item 26 to P/N108938 |

## LIMITED WARRANTY

Champion Industries Inc. (herein referred to as Champion), 3765 Champion Blvd., Winston-Salem, North Carolina 27105, and P.O. Box 301, 2674 N. Service Road, Jordan Station, Canada, L0R 1S0, warrants machines, and parts, as set out below.

**Warranty of Machines:** Champion warrants all new machines of its manufacture bearing the name "Champion" and installed within the United States and Canada to be free from defects in material and workmanship for a period of one (1) year after the date of installation or fifteen (15) months after the date of shipment by Champion, whichever occurs first. [See below for special provisions relating to glasswashers.] The warranty registration card must be returned to Champion within ten (10) days after installation. If warranty card is not returned to Champion within such period, the warranty will expire after one year from the date of shipment.

Champion will not assume any responsibility for extra costs for installation in any area where there are jurisdictional problems with local trades or unions.

If a defect in workmanship or material is found to exist within the warranty period, Champion, at its election, will either repair or replace the defective machine or accept return of the machine for full credit; provided; however, as to glasswashers, Champion's obligation with respect to labor associated with any repairs shall end (a) 120 days after shipment, or (b) 90 days after installation, whichever occurs first. In the event that Champion elects to repair, the labor and work to be performed in connection with the warranty shall be done during regular working hours by a Champion authorized service technician. Defective parts become the property of Champion. Use of replacement parts not authorized by Champion will relieve Champion of all further liability in connection with its warranty. In no event will Champion's warranty obligation exceed Champion's charge for the machine. The following are not covered by Champion's warranty:

- a. Lighting of gas pilots or burners.
- b. Cleaning of gas lines.
- c. Replacement of fuses or resetting of overload breakers.
- d. Adjustment of thermostats.
- e. Adjustment of clutches.
- f. Opening or closing of utility supply valves or switching of electrical supply current.
- g. Cleaning of valves, strainers, screens, nozzles, or spray pipes.
- h. Performance of regular maintenance and cleaning as outlined in operator's guide.
- i. Damages resulting from water conditions, accidents, alterations, improper use, abuse, tampering, improper installation, or failure to follow maintenance and operation procedures.
- j. Wear on Pulper cutter blocks, pulse vanes, and auger brush.

*Examples of the defects not covered by warranty include, but are not limited to:* (1) Damage to the exterior or interior finish as a result of the above, (2) Use with utility service other than that designated on the rating plate, (3) Improper connection to utility service, (4) Inadequate or excessive water pressure, (5) Corrosion from chemicals dispensed in excess of recommended concentrations, (6) Failure of electrical components due to connection of chemical dispensing equipment installed by others, (7) Leaks or damage resulting from such leaks caused by the installer, including those at machine table connections or by connection of chemical dispensing equipment installed by others, (8) Failure to comply with local building codes, (9) Damage caused by labor dispute.

**Warranty of Parts:** Champion warrants all new machine parts produced or authorized by Champion to be free from defects in material and workmanship for a period of 90 days from date of invoice. If any defect in material and workmanship is found to exist within the warranty period Champion will replace the defective part without charge.

**DISCLAIMER OF WARRANTIES AND LIMITATIONS OF LIABILITY. CHAMPION'S WARRANTY IS ONLY TO THE EXTENT REFLECTED ABOVE. CHAMPION MAKES NO OTHER WARRANTIES, EXPRESS OR IMPLIED, INCLUDING, BUT NOT LIMITED, TO ANY WARRANTY OF MERCHANTABILITY, OR FITNESS OF PURPOSE. CHAMPION SHALL NOT BE LIABLE FOR INCIDENTAL OR CONSEQUENTIAL DAMAGES. THE REMEDIES SET OUT ABOVE ARE THE EXCLUSIVE REMEDIES FOR ANY DEFECTS FOUND TO EXIST IN CHAMPION DISHWASHING MACHINES AND CHAMPION PARTS, AND ALL OTHER REMEDIES ARE EXCLUDED, INCLUDING ANY LIABILITY FOR INCIDENTALS OR CONSEQUENTIAL DAMAGES.**

Champion does not authorize any other person, including persons who deal in Champion Dishwashing machines to change this warranty or create any other obligation in connection with Champion Dishwashing Machines.

# Table of Contents

## CCT90, CCT180 Circular Conveyor Table

|   |           |
|---|-----------|
| <i>Revision History</i> .....                               | <i>i</i>  |
| <i>Limited Warranty</i> .....                               | <i>ii</i> |
| <i>Model Descriptions</i> .....                             | <i>iv</i> |
| <b>Installation</b> .....                                   | <b>1</b>  |
| <i>Receiving</i> .....                                      | <i>1</i>  |
| <i>Mechanical Connections and<br/>    Adjustments</i> ..... | <i>2</i>  |
| <b>Service Replacement Parts</b> .....                      | <b>5</b>  |

## **Model Descriptions**

### **CCT 90**

90° Circular Conveyor Table designed to move dish racks exiting the rack conveyor dishwasher. The CCT 90 captures the dish racks, moves them forward and out of the dish washer. The dish rack is rotated 90° as it moves along the table. The CCT 90 is most often connected to a dish table or roller conveyor. The CCT 90 reduces the dishwasher footprint to save space in the dish room.

### **CCT 180**

180° Circular Conveyor Table designed to move dish racks exiting the rack conveyor dishwasher. The CCT 180 captures the dish racks, moves them forward and out of the dish washer. The dish rack is rotated 180° as it moves along the table. The CCT 180 is most often connected to a dish table or roller conveyor. The CCT 180 reduces the dishwasher footprint to save space in the dish room.



**Receiving****NOTE:**

The installation of your dishwasher must be performed by qualified service personnel. Problems due to improper installation are not covered by the Warranty.

1. Inspect the outside of the Conveyor pallet for signs of damage.
2. inspect the Conveyor for damage.
3. Check for any accessories that may have shipped with your dishwasher.
4. Turn to the front of this manual and complete the warranty card. Immediately mail the warranty card to validate your warranty.
5. Move the Conveyor near its permanent location.

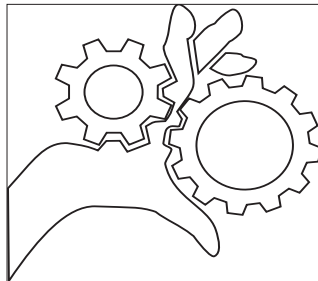
**CAUTION:**

Be careful when lifting and moving the Conveyor to prevent damage to the machine.

**NOTE:**

The installation of the Conveyor must comply with local safety and health codes.

6. Compare the installation site utility connections with the dishwasher utility connections and make sure that they are the same.
7. For new dishwasher installations, install the Dishwasher according to the instructions in the dishwasher service manual *Installation, Operation, and Service Replacement Parts*, which is shipped inside the dishwasher.

**WARNING:**

Moving Conveyor Parts may cause **INJURY OR DEATH**. Keep hands and clothing clear of the conveyor when the conveyor is moving.

**USE EXTREME CAUTION WHEN THE CONVEYOR IS MOVING.**

**WARNING:**

Electrocution or serious injury may result when working on an energized circuit.

Disconnect power at the main breaker or service disconnect switch before working on the circuit.

Lock-out and tag the breaker to indicate that work is being performed on the circuit.

## **Mechanical Connections and Conveyor Adjustments**

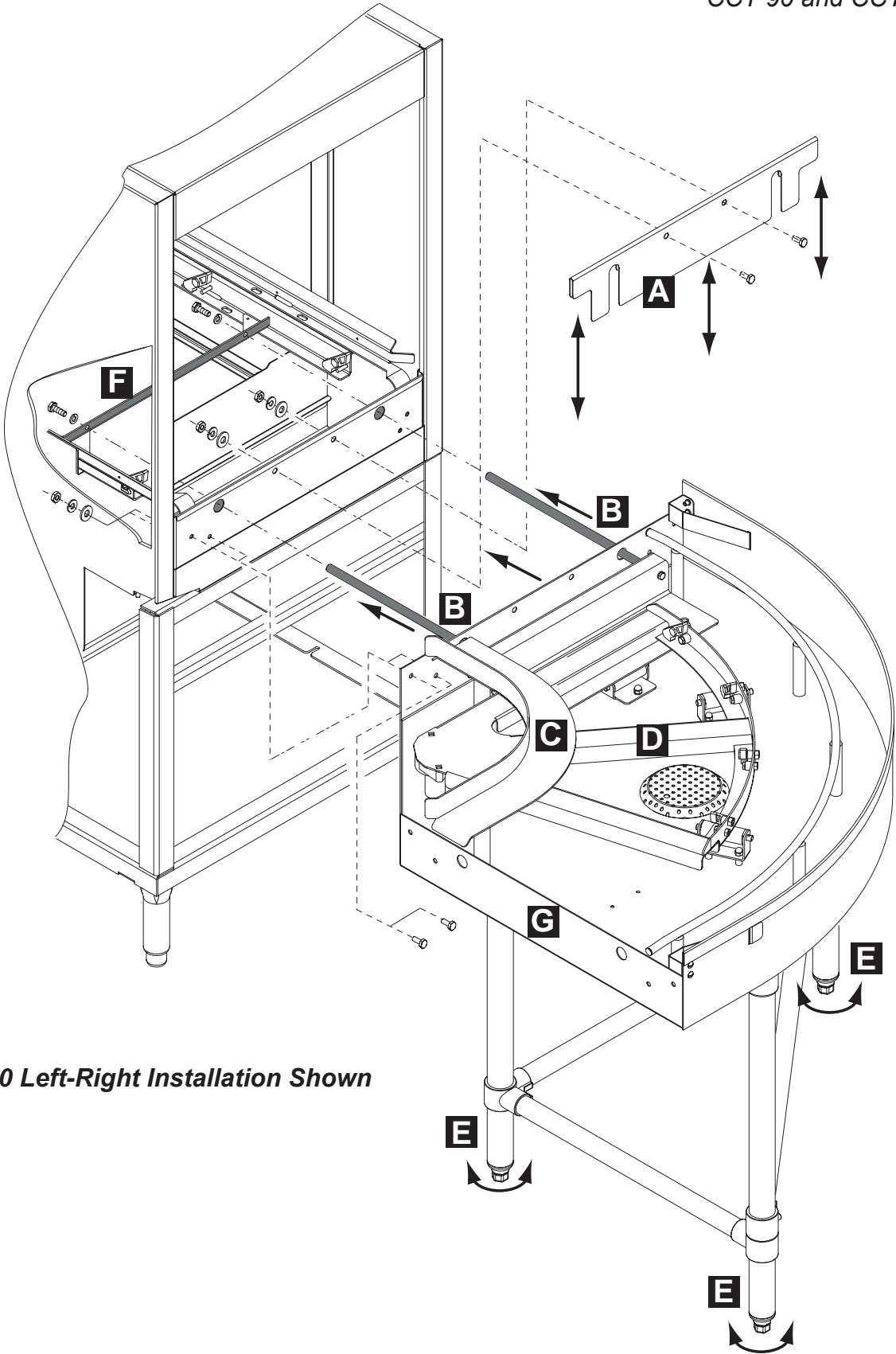
### **CCT 90 and CCT180**

Refer to the illustration on the next page and follow the installation instructions below.

1. Manually advance the dishwasher cradle assembly to its maximum forward stroke.
2. Remove parts A, B, C, and D from the CCT. Save the fasteners.
3. Position the CCT against the discharge end of the dishwasher.
4. Reinstall part C on the CCT.
5. Turn the CCT adjustable feet, part E, until the CCT rails on the CCT are level with the rails of the dishwasher.
6. Place a dish rack across the dishwasher rails and the CCT rails to check the alignment.
7. Remove part C, and re-install part D. Re-install part C.
8. Advance the CCT cradle assembly, part D, to its maximum forward stroke.
9. Re-install parts B to the CCT making sure that they pass through the holes in the CCT table and the dishwasher.
10. Advance the CCT cradle assembly until parts B contact the dishwasher, part F.
11. Recheck the alignment and the level of the CCT and the dishwasher. Turn the adjusting feet, part E if necessary.
12. Re-install the CCT U-clip, part A, and check for any interferences.
13. Manually advance the dishwasher cradle assembly. Make sure CCT cradle assembly moves with the dishwasher cradle without binding or hitting.
14. If equipped, install dish tables and/or roller conveyor to the CCT on the discharge end of the CCT, part G.
15. Start the dishwasher and load dish racks into the machine.
16. Observe the movement of the dish racks through the dishwasher and the CCT.
17. Make any necessary adjustments to the CCT until all the dish racks move smoothly throughout the machines without binding or jamming.
18. The CCT conveyor installation is complete.

# Mechanical Connections and Conveyor Adjustments

CCT 90 and CCT180



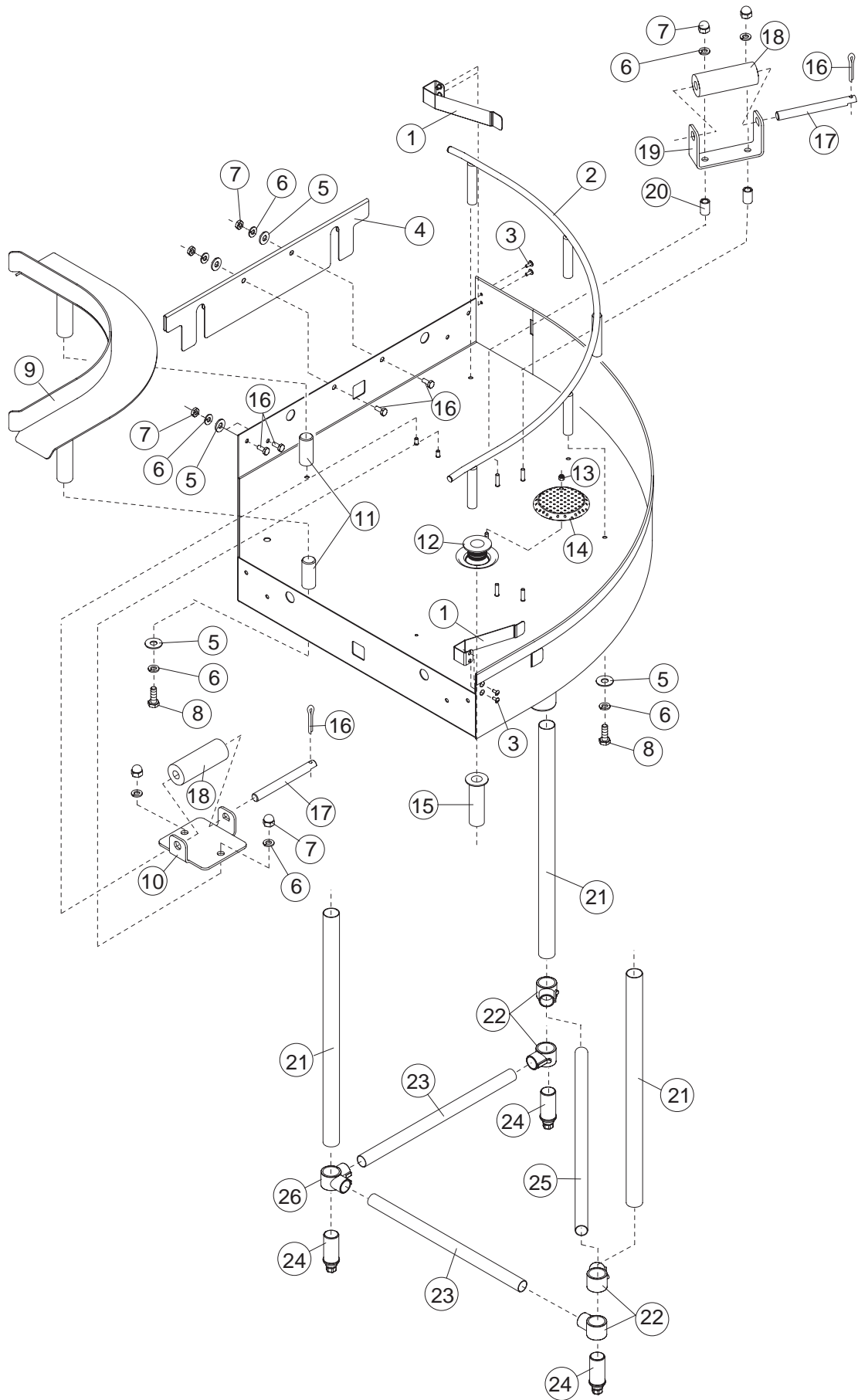
CCT 90 Left-Right Installation Shown

***This Page  
Intentionally  
Left Blank***

# Service Replacement Parts

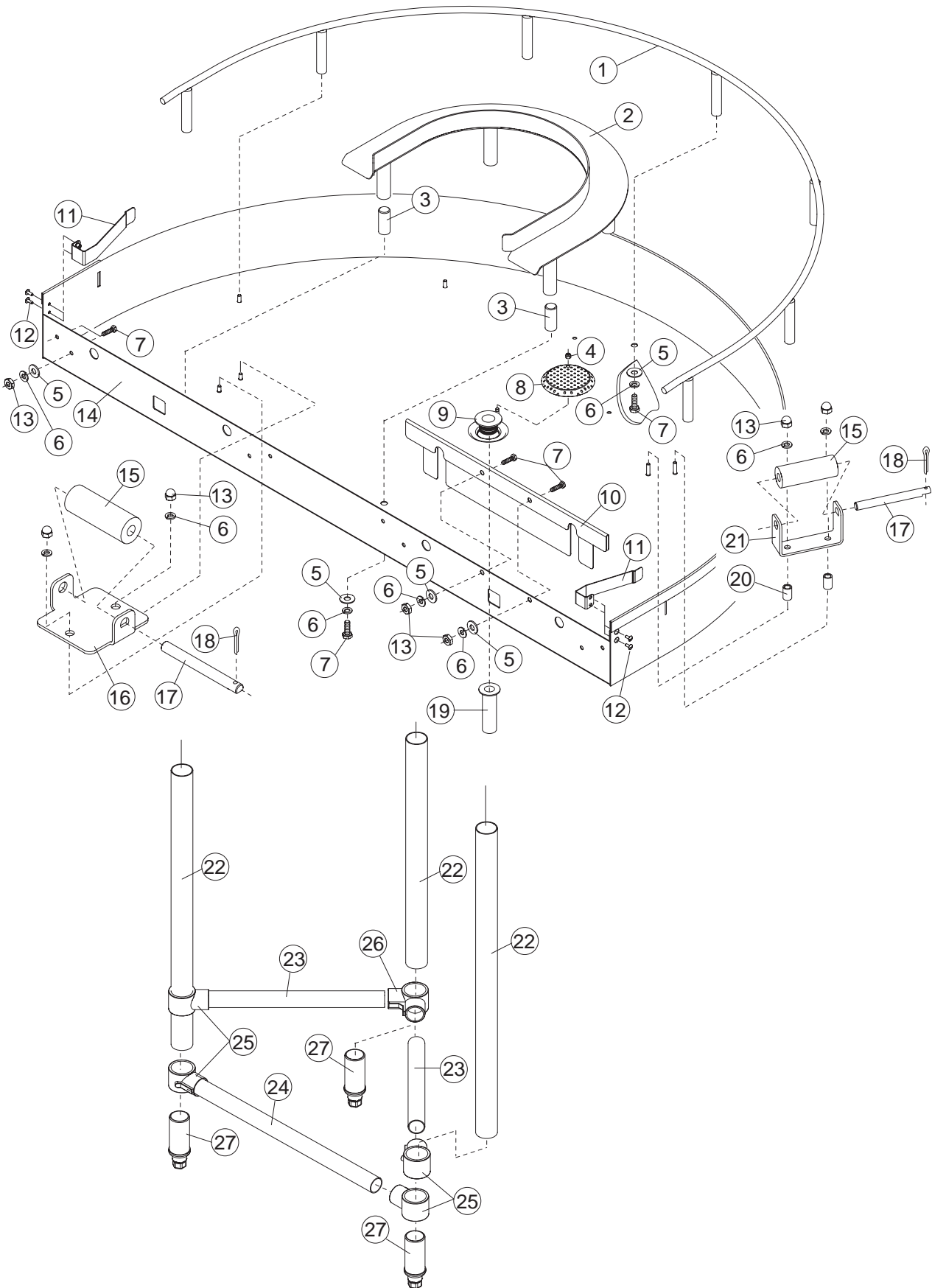
| <i>Illustrations</i>                            | <i>Page</i> |
|---|-------------|
| Table Assembly - CCT90 .....                    | 6           |
| Table Assembly - CCT180 .....                   | 8           |
| Cradle and Drive Assembly - CCT90, CCT180 ..... | 10          |

Table Assembly - CCT90



| Item No. | Part No. | Description                            | Qty. |
|----------|----------|--|------|
| 1        | 332857   | RACK GUIDE, UNLOAD END CCT             | 2    |
| 2        | 332838   | RACK SUPPORT, ROD WELDMENT OUTER       | 1    |
| 3        | 100097   | SCREW, TRUSS HD. 10-32 X1/2" SST       | 4    |
| 4        | 332876   | U-CLIP, CCT W/EXT FRONT FLANGE         | 1    |
| 5        | 102376   | WASHER, FLAT, 5/16" SST                | 7    |
| 6        | 106482   | WASHER, LOCK, 1/4" SPLIT SST           | 9    |
| 7        | 106014   | HEX ACORN, PLAN NUT, 1/4-20 SST        | 6    |
| 8        | 100736   | BOLT, HEX HD. 1/4-20 X 3/4" SST        | 7    |
| 9        | 332874   | INNER TRACK, WELDMENT CCT90            | 1    |
| 10       | 332877   | BRACKET, ROLLER                        | 1    |
| 11       | 206945   | INNER RACK SUPPORT, PIN                | 2    |
| 12       | 107342   | BASKET, STRAINER, METAL                | 1    |
| 13       | 107967   | NUT, GRIP 1/4-20, W/NYLON INSERT       | 1    |
| 14       | 304816   | STRAINER, DRAIN                        | 1    |
| 15       | 107473   | TAILPIECE, METAL DRAIN                 | 1    |
| 16       | 106558   | PIN, COTTER, 1/8" X 3/4" SST           | 3    |
| 17       | 202392   | PIN, ROLLER                            | 3    |
| 18       | 106138   | ROLLER, 1" X 2-3/4"                    | 3    |
| 19       | 314352   | BRACKET, ROLLER                        | 1    |
| 20       | 111875   | SPACER, SST                            | 4    |
| 21       | 206838   | TUBE, 1-1/4" OD X 26-1/2" LONG SST     | 3    |
| 22       | 114232   | FITTING, 1-5/8", TUBE END CROSS BRACE  | 4    |
| 23       | 206926   | TUBE, 1-1/4" OD X 21" LONG SST         | 2    |
| 24       | B501777  | FOOT, BULLET 1-5/8" (3" HIGH RISE)     | 3    |
| 25       | 206927   | TUBE, 1-1/4" OD X 30-1/2" LONG SST     | 1    |
| 26       | 114231   | FITTING, 1-5/8", TUBE CTR. CROSS BRACE | 1    |
| 27       | 332735   | TABLE, WELDMENT CCT90                  | 1    |

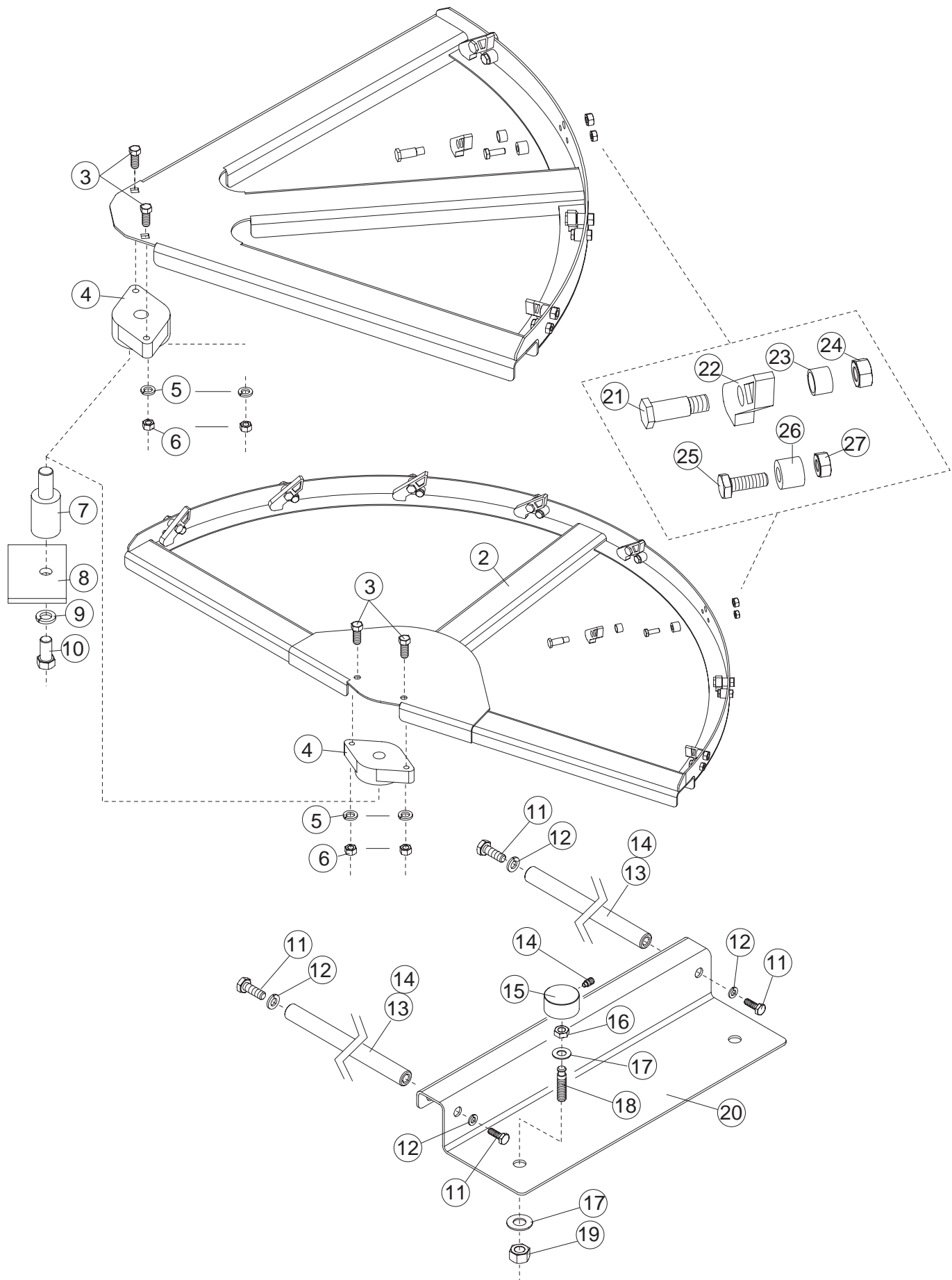
Table Assembly - CCT180





| <b>Item No.</b> | <b>Part No.</b> | <b>Description</b>                       | <b>Qty.</b> |
|-----------------|-----------------|--|-------------|
| 1               | 332839          | ROD, RACK SUPPORT, OUTER CCT180          | 1           |
| 2               | 332919          | TRACK, INNER ,CCT 180                    | 1           |
| 3               | 206945          | PIN, INNER RACK SUPPORT                  | 2           |
| 4               | 107967          | NUT, GRIP 1/4-20, W/NYLON INSERT         | 1           |
| 5               | 102376          | WASHER, FLAT, 5/16, SST                  | 13          |
| 6               | 106482          | WASHER, LOCK 1/4 SPLIT, SST              | 18          |
| 7               | 100736          | BOLT, HEX HD., 1/4-20 X 3/4"             | 13          |
| 8               | 304816          | STRAINER, DRAIN                          | 1           |
| 9               | 107342          | BASKET, STRAINER, METAL                  | 1           |
| 10              | 332876          | U-CLIP, CCT W/EXT. FRONT FLANGE          | 1           |
| 11              | 332857          | GUIDE, RACK, UNLOAD END CCT              | 2           |
| 12              | 100097          | SCREW, 10-32 X 1/2", TRUSS HD. SST       | 4           |
| 13              | 106014          | NUT, PLAIN, ACORN HEX. 1/4-20 SST        | 7           |
| 14              | 332738          | TABLE, CCT 180                           | 1           |
| 15              | 106138          | ROLLER, 1" X 2-3/4"                      | 3           |
| 16              | 332877          | BRACKET, ROLLER                          | 1           |
| 17              | 202392          | PIN, ROLLER                              | 3           |
| 18              | 106558          | PIN, COTTER, 1/8" X 3/4" SST             | 3           |
| 19              | 107473          | TAILPIECE, METAL DRAIN                   | 1           |
| 20              | 111875          | SPACER, SST                              | 4           |
| 21              | 314352          | BRACKET, ROLLER                          | 2           |
| 22              | 206838          | TUBE, LEG 26-1/2" LG. SST                | 3           |
| 23              | 206951          | TUBE, 1-14" OD, 25" LG. SST              | 2           |
| 24              | 206950          | TUBE, 1-1/4" OD X 36" LG.                | 1           |
| 25              | 114232          | FITTING, 1-5/8" TUBE END, CROSS BRACE    | 4           |
| 26              | 114231          | FITTING, 1-5/8" TUBE, CENTER CROSS BRASS | 1           |
| 27              | B501777         | FOOT, BULLET, 1-5/8" (3" HIGH RISE)      | 3           |

Cradle and Drive Assembly - CCT90, CCT180



| Item No. | Part No. | Description                               | Qty. |
|----------|----------|---|------|
| 1        | 332883   | CRADLE, CCT 90 <i>(Metal frame only)</i>  | 1    |
| 2        | 332906   | CRADLE, CCT 180 <i>(Metal frame only)</i> | 1    |
| 3        | 100746   | BOLT, HEX HD. 3/8-16 X 1-1/4" SST         | 2    |
| 4        | 113860   | BEARING AND HOUSING ASSEMBLY              | 1    |
| 5        | 106407   | WASHER, LOCK 3/8" SPLIT, SST              | 2    |
| 6        | 109010   | NUT, GRIP 3/8" W/NYLON INSERT, SST        | 2    |
| 7        | 206939   | SHAFT, PIVOT                              | 1    |
| 8        | 314351   | STIFFENER, SHAFT                          | 1    |
| 9        | 107589   | WASHER, LOCK 1/2" SPLIT SST               | 1    |
| 10       | 100747   | BOLT, HEX HD. 1/2-13 X 1" SST             | 1    |
| 11       | 100736   | BOLT, HEX HD., 1/4-20 X 3/4" SST          | 2    |
| 12       | 106482   | WASHER, LOCK 1/4" SPLIT SST               | 2    |
| 13       | 332344   | ROD, DRIVE E44/54, CCT 16" LG. SST        | 2    |
| 14       | 332921   | ROD DRIVE, E64/84 CCT 13" LG. SST         | 2    |
| 15       | 202381   | ROLLER, CROSSHEAD BRASS                   | 1    |
| 16       | 107089   | NUT, JAM 1/2-13 SST                       | 1    |
| 17       | 104882   | WASHER                                    | 2    |
| 18       | 202392   | PIN, CROSSHEAD ROLLER                     | 1    |
| 19       | 104584   | NUT, PLAIN 1/2-13 HEX SST                 | 1    |
| 20       | 332746   | ANGLE CROSSHEAD ROLLER SUPPORT CCT        | 1    |
| 21       | 113692   | BOLT, HEX HD., 3/8" X .875" X 5/16-18     | A/R  |
| 22       | 204513   | PAWL                                      | A/R  |
| 23       | 206345   | BUSHING, PAWL                             | A/R  |
| 24       | 100142   | NUT, GRIP 5/16-18 SST                     | A/R  |
| 25       | 100735   | BOLT, HEX HD., 1/4-20 X 5/8" SST          | A/R  |
| 26       | 108938   | SPACER                                    | A/R  |
| 27       | 100141   | NUT, GRIP 1/4-20 SST                      | A/R  |

## NOTE:

CCT 90 Cradle Assembly uses 4 pawl assemblies (Items 21-27)

CCT 180 Cradle Assembly uses 8 pawl assemblies (Items 21-27)

***This Page  
Intentionally  
Left Blank***