

Champion®

The Dishwashing Machine Specialists

Project _____
Item No. _____
Quantity _____

STANDARD FEATURES

- **Factory authorized startup**
- **Ventless Heat Recovery**
- **HMI – Operator Touch Screen Interface**
- **On-Board Service Diagnostics**
- **Field Convertible – single to three, or three to single phase**
- **Sleep Mode - All internal heaters shut off after 4 hours idle**
- **Door Interlock – locks door closed during the vent fan cycle**
- Built-in booster configured to ensure 180° rinse
- Field convertible from straight to corner operation
- Dual NSF listed as both a dishwasher and potwasher
- Rinse Sentry – ensures 180°F final rinse
- Auto start – starts unit when hood is closed
- Single point electrical connection
- High efficiency 2 HP pump
- Self draining pump
- Automatic tank fill
- Automatic drain valve – drains wash tank when power is off
- PRV (Mounted Pressure Reducing Valve)
- 4 selectable cycles
- 27" [686mm] extended clearance

DH-6000T-VHR HOOD-TYPE

DH-6000T-VHR

DH-6000T-VHR High Temperature Hood-type Dishwashing Machine

*Ventless
Heat Recovery
Condensate
Removal*



OPTIONS & ACCESSORIES

- NEW** Built in detergent and rinse aid pumps
- Two point electrical connection (field installed)
- Drain Water Tempering Kit (unmounted)
- Racks
 - Peg
 - Flat
- Corner operation splash baffle
- NEW** Champion ION scale prevention system



Photo is for general visual representation only. Please refer to specifications for the latest detailed product information.

SPECIFIER STATEMENT

Specified unit will be Champion model DH-6000T-VHR, ventless, high temperature, high-hood type dishwashing machine. Features HMI controls, Rinse Sentry, Auto Start, Dirty Water Indicator, Delime notification, up to 40 racks/hour, 0.73 US gals/rack [2.76 liters/rack, 0.61 imp. gals/rack].
1 year parts and labor warranty.

Champion Industries, Inc.
3765 Champion Blvd., Winston-Salem, NC 27105
Tel: 336/661-1556 Fax: 336/661-1979

2674 N. Service Road
Jordan Station, Ontario, Canada L0R 1S0
Tel: 800/263-5798 Fax: 905/562-4618

www.ChampionIndustries.com

DH-6000T-VHR

DH-6000T-VHR HOOD-TYPE

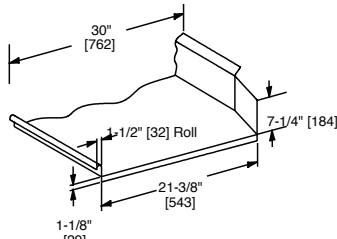
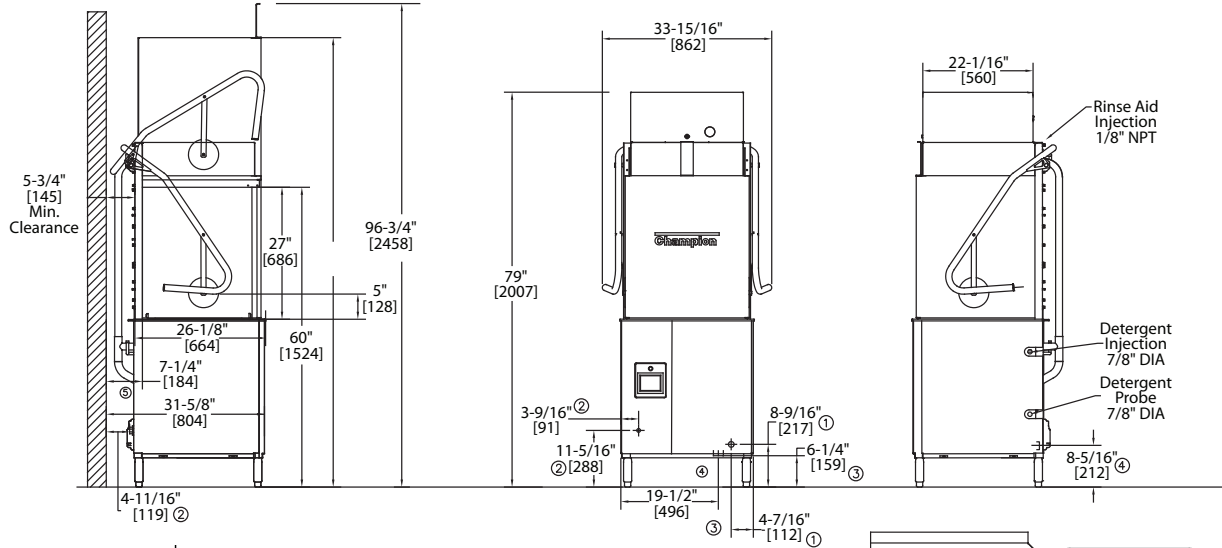
DH-6000T-VHR High Temperature Hood-type Dishwashing Machine

Champion®

The Dishwashing Machine Specialists

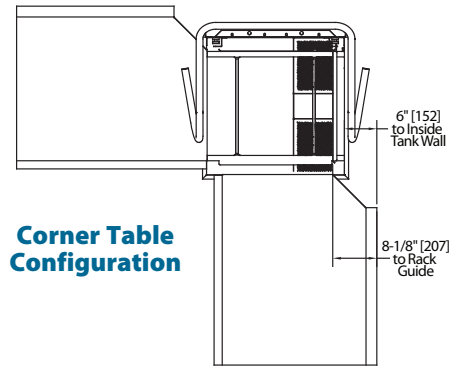
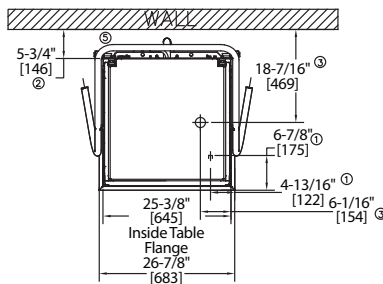
Shipping weight crated: 350 lbs.

Dimensions shown in inches and [mm]



Typical Table Construction

Plan View



Corner Table Configuration

UTILITIES

- Electrical Machine Connection** (See Electrical Box)
- Cold Water** 3/4" NPT Cold Water 50° - 75°F 45 PSI Min Incoming (20-22 PSI flow)
- Drain** 1.5" OD Connection; 15 GPM Max Flow (Drain water tempering height 5")
- Drain Water Tempering** 1/2" Cold water line with customer supplied cut-off valve (optional)
- Integrated Detergent System** Detergent bottle supply connections (optional)

Warning: Plumbing, electrical connections should be made by qualified personnel who will observe all the applicable plumbing, sanitary and safety codes and the National Electrical Code.

Note: Optional Drain Tempering: 1/2" NPT cold water connection required. 1/2" NPT drain connection from back flow preventer to house drain. (FIELD INSTALLED and PLUMBED). Due to an ongoing value analysis program at Champion, specifications contained in this catalog are subject to change without notice.

Champion Industries, Inc.,
3765 Champion Blvd., NC 27105
336/661-1556 • Fax: 336/661-1979
ChampionIndustries.com

Machine & Built-in Booster (Standard)

Voltage	Rated Amps	Minimum Supply Circuit Ampacity	Maximum Overcurrent Protective Device
208-240/60/1	77-68	100	100
208-240/60/3	46-41	60	60
480/60/3	20	30	30

Machine Only

(two point electrical connection or no built-in booster)

Voltage	Rated Amps	Minimum Supply Circuit Ampacity	Maximum Overcurrent Protective Device
208-240/60/1	38-34	50	50
208-240/60/3	25-23	30	30
480/60/3	11	15	15

Booster Only (two point electrical connection)

Voltage	Rated Amps	Minimum Supply Circuit Ampacity	Maximum Overcurrent Protective Device
208-240/60/1	39-34	50	50
208-240/60/3	21-18	25	25
480/60/3	9	15	15

Note: Water Hammer Arrestor (meeting ASSE-1010 standard or equivalent) to be supplied (by others) in common water supply line at service connection.

SPECIFICATIONS

Capacities

Racks per hr. (NSF rated)	40
Wash tank (gal.)	10

Motor horsepower 2 HP

Water consumption

Gal. per hr.	29
Gal. per rack	0.73

Temperature °F

Wash	150
Rinse	180

Heating

Tank heat, electric	5.2 kW
Electric Booster	7.5 kW

Selectable cycle times in minutes	Dish-washer Mode		Pot & Pan Mode	
	1	2	4	6
Time cycles in seconds				
Wash	36	94	214	334
Rinse	8	10	10	10
Sanitary Dwell	16	16	16	16
Vent Fan (VHR)	30	30	30	30
Total	90	150	270	390

an Ali Group Company



The Spirit of Excellence