

# Champion<sup>®</sup>

## Service Replacement Parts

### 64 PRO Series Two Tank Rack Conveyor Dishwasher

#### OPTIONS:

- VHR - Ventless Heat Recovery
- HR - Heat Recovery

#### Standard Models

|           |        |
|-----------|--------|
| 64 PRO    | 86 PRO |
| 90FF PRO  |        |
| 100HD PRO |        |

#### VHR Models

|               |            |
|---------------|------------|
| 64 PRO-VHR    | 86 PRO-VHR |
| 90FF PRO-VHR  |            |
| 100HD PRO-VHR |            |

#### HR Models

|              |           |
|--------------|-----------|
| 64 PRO-HR    | 86 PRO-HR |
| 90FF PRO-HR  |           |
| 100HD PRO-HR |           |



Issue Date: 2.16.21

Manual P/N 116083 rev. F

For machines beginning with S/N D19051979 and above

NATIONAL SERVICE DEPARTMENT

USA

Toll-free: 1-800-858-4477  
Tel: (336) 661-1556  
Fax: (336) 661-1660  
Email: [service@championindustries.com](mailto:service@championindustries.com)

Canada

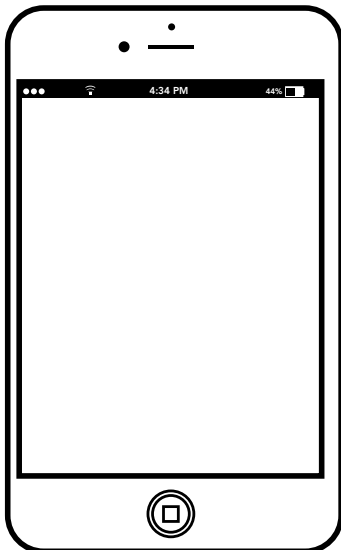
Toll-free: 1-800-263-5798  
Tel: (905) 562-4195  
Fax: (905) 562-4618  
Email: [service@moyerdiebellimited.com](mailto:service@moyerdiebellimited.com)

ATTENTION

The machine data plate  
is located on the side of  
upper control panel.



# Three ways to REGISTER YOUR PRODUCT and ACTIVATE YOUR WARRANTY.



- Use your mobile phone or computer to go to our website at [www.championindustries.com](http://www.championindustries.com) and register your product.
- Scan the QR code label located above or near the data plate to register your product.
- Use the fax form on the next page.

# PRODUCT REGISTRATION BY FAX

COMPLETE THIS FORM AND FAX TO:

(336) 661-1660 in the USA

1-(800) 204-0109 in Canada

## PRODUCT REGISTRATION CARD

Model

Serial #

Date of Installation: \_\_\_/\_\_\_/\_\_\_

Company Name: \_\_\_\_\_

Address: \_\_\_\_\_  
(Street) State/Province Zip/Postal Code

Telephone #: ( ) \_\_\_\_\_ --- \_\_\_\_\_

Contact: \_\_\_\_\_

Installation Company: \_\_\_\_\_

Address: \_\_\_\_\_

Telephone #: \_\_\_\_\_

Contact: \_\_\_\_\_

**FAILURE TO REGISTER YOUR PRODUCT MAY VOID YOUR WARRANTY**

**IMPORTANT IMPORTANT**

# Revision History

Specifications are subject to change based on continual product improvement.

| <i>Revision Date</i> | <i>Revised Pages</i> | <i>Serial Number Effectivity</i> | <i>Revision Description</i>  |
|----------------------|----------------------|----------------------------------|--|
| 10.8.19              | All                  | RP19051979                       | Released first edition   |
| 11.6.19              | 22-23                | All                              | Revised final rinse assy.  |
| 12.20.19             | 66-67                | All                              | Revised ION assembly   |
|                      | 68-69                | All                              | Revised pump/motor assembly  |
|                      | 70-71                | All                              | Revised pump installations   |
| 1.26.20              | 12-13                | RP20012488                       | Added clutch continual drive assembly                                |
| 2.10.20              | 4-5                  | RP19051979 to S/N RP20012488     | Current transformer replaced by new clutch assembly a S/N RP20012488 |
| 5.11.20              | 53                   | All                              | Changed Item 15 to P/N 113604  |
| 2.16.21              | All                  | RP20102891                       | Added VHR and HR P/N's and illustrations                             |

## Limited Warranty

# LIMITED WARRANTY

Champion Industries (herein referred to as "The Company"), 3765 Champion Blvd., Winston-Salem, North Carolina 27105, and 2674 N. Service Road, Jordan Station, Ontario, Canada, L0R 1S0, warrants machines, and parts, as set out below.

**Warranty of Machines:** The Company warrants all new machines of its manufacture bearing the name "Champion and installed within the United States and Canada to be free from defects in material and workmanship for a period of one (1) year after the date of installation or fifteen (15) months after the date of shipment by The Company, whichever occurs first. [See below for special provisions relating to glasswashers.] Warranty registration must be submitted to The Company within ten (10) days after installation either online on the Champion Industries website (<http://www.champion-industries.com>) or by the fax form provided at the front of this manual. The Company will not assume any responsibility for extra costs for installation in any area where there are jurisdictional problems with local trades or unions.

If a defect in workmanship or material is found to exist within the warranty period, The Company, at its election, will either repair or replace the defective part or accept return of the machine for full credit; provided; however, as to glasswashers, The Company's obligation with respect to labor associated with any repairs shall end (a) 120 days after shipment, or (b) 90 days after installation, whichever occurs first. In the event that The Company elects to repair, the labor and work to be performed in connection with the warranty shall be done during regular working hours by a Champion authorized service technician. Defective parts become the property of The Company. Use of replacement parts not authorized by The Company will relieve The Company of all further liability in connection with its warranty. In no event will The Company's warranty obligation exceed The Company's charge for the machine. The following are not covered by The Company's warranty:

- a. Lighting of gas pilots or burners.
- b. Cleaning of gas lines.
- c. Replacement of fuses or resetting of overload breakers.
- d. Adjustment of thermostats.
- e. Adjustment of clutches.
- f. Opening or closing of utility supply valves or switching of electrical supply current.
- g. Cleaning of valves, strainers, screens, nozzles, or spray pipes.
- h. Performance of regular maintenance and cleaning as outlined in the operator's guide.
- i. Damages resulting from water conditions, accidents, alterations, improper use, abuse, tampering, improper installation, or failure to follow maintenance and operation procedures.
- j. Wear on Pulper cutter blocks, pulse vanes, and auger brush.

Examples of the defects not covered by warranty include, but are not limited to: (1) Damage to the exterior or interior finish as a result of the above, (2) Use with utility service other than that designated on the rating plate, (3) Improper connection to utility service, (4) Inadequate or excessive water pressure, (5) Corrosion from chemicals dispensed in excess of recommended concentrations, (6) Failure of electrical components due to connection of chemical dispensing equipment installed by others, (7) Leaks or damage resulting from such leaks caused by the installer, including those at machine table connections or by connection of chemical dispensing equipment installed by others, (8) Failure to comply with local building codes, (9) Damage caused by labor dispute.

**Warranty of Parts:** The Company warrants all new machine parts produced or authorized by The Company to be free from defects in material and workmanship for a period of 90 days from date of invoice. If any defect in material and workmanship is found to exist within the warranty period The Company will replace the defective part without charge.

**DISCLAIMER OF WARRANTIES AND LIMITATIONS OF LIABILITY. THE COMPANY'S WARRANTY IS ONLY TO THE EXTENT REFLECTED ABOVE. THE COMPANY'S MAKE NO OTHER WARRANTIES, EXPRESS OR IMPLIED, INCLUDING, BUT NOT LIMITED, TO ANY WARRANTY OF MERCHANTABILITY, OR FITNESS OF PURPOSE. THE COMPANY SHALL NOT BE LIABLE FOR INCIDENTAL OR CONSEQUENTIAL DAMAGES. THE REMEDIES SET OUT ABOVE ARE THE EXCLUSIVE REMEDIES FOR ANY DEFECTS FOUND TO EXIST IN THE COMPANY'S DISHWASHING MACHINES AND THE COMPANY'S PARTS, AND ALL OTHER REMEDIES ARE EXCLUDED, INCLUDING ANY LIABILITY FOR INCIDENTALS OR CONSEQUENTIAL DAMAGES.**

The Company does not authorize any other person, including persons who deal in Champion dishwashing machines to change this warranty or create any other obligation in connection with Champion dishwashing machines.

# TABLE OF CONTENTS

| ILLUSTRATION   | PAGE |
|--|------|
| Control Cabinet.....   | 4    |
| Controls (Prior to S/N RP20102891) .....                                     | 6    |
| Controls w/o Chemical Pump Assembly (Beginning with S/N RP20102891) .....    | 8    |
| Controls with Chemical Pump Assembly (Beginning with S/N RP20102891).....    | 10   |
| Junction Box.....  | 12   |
| Conveyor Assembly (Prior to S/N RP21013012) .....                            | 14   |
| Conveyor Assembly (Beginning with S/N RP2013012).....                        | 16   |
| Continual Drive Assembly (Prior to S/N RP20012488) .....                     | 18   |
| Clutch Style Continual Drive Assembly (Beginning with S/N RP20012488) .....  | 20   |
| Power Rinse Drain Assembly.....  | 22   |
| Wash Tank Drain Assembly without Prewash.....                                | 24   |
| Wash Tank Drain Assembly with Prewash .....                                  | 26   |
| 64 PRO Power Rinse Fill Assembly (Prior to S/N RP20112924).....              | 28   |
| 64 PRO Wash Fill Assembly (Prior to S/N RP20112924).....                     | 30   |
| L-R Final Rinse Assembly (All S/N's).....                                    | 32   |
| 64 PRO L-R Final Rinse Piping Assembly (Prior to S/N RP20112924).....        | 34   |
| 64 PRO L-R Main Connect Piping Assembly (Prior to S/N RP20112924) .....      | 36   |
| 22" Prewash Door Assembly.....   | 38   |
| 36" Prewash Door Assembly.....   | 40   |
| Wash Tank/Power Rinse Tank Door Assembly .....                               | 42   |
| Wash Tank Panels, Curtains, and Screens .....                                | 44   |
| Tank Floats and Thermistors .....  | 46   |
| Left-hand Wash and Power Rinse Manifold Assembly.....                        | 48   |
| Right-hand Wash and Power Rinse Manifold Assembly .....                      | 50   |
| 22" and 36" Prewash Panels, Curtains, and Screens .....                      | 52   |
| 22" and 36" Prewash Spray Manifolds (Prior to S/N RP21013012).....           | 54   |
| 22" and 36" Prewash Spray Manifolds (Beginning with S/N RP21013012).....     | 56   |
| Wash/Power Rinse Tank Heaters.....   | 58   |
| Electric Booster .....   | 60   |
| External Steam Booster Cabinet (Beginning with S/N RP18101727) .....         | 62   |
| External Steam Booster Piping Assembly (Beginning with S/N RP18101727) ..... | 64   |
| Steam Coils and Piping .....   | 66   |
| VHR Assembly (Beginning with S/N 21013012).....                              | 68   |
| Heat Recovery Unit Coil.....   | 70   |
| Heat Recovery Unit Standard Hood Vent Cowl .....                             | 72   |
| Heat Recovery Unit High Hood Vent Cowl .....                                 | 74   |

Continued on next page.

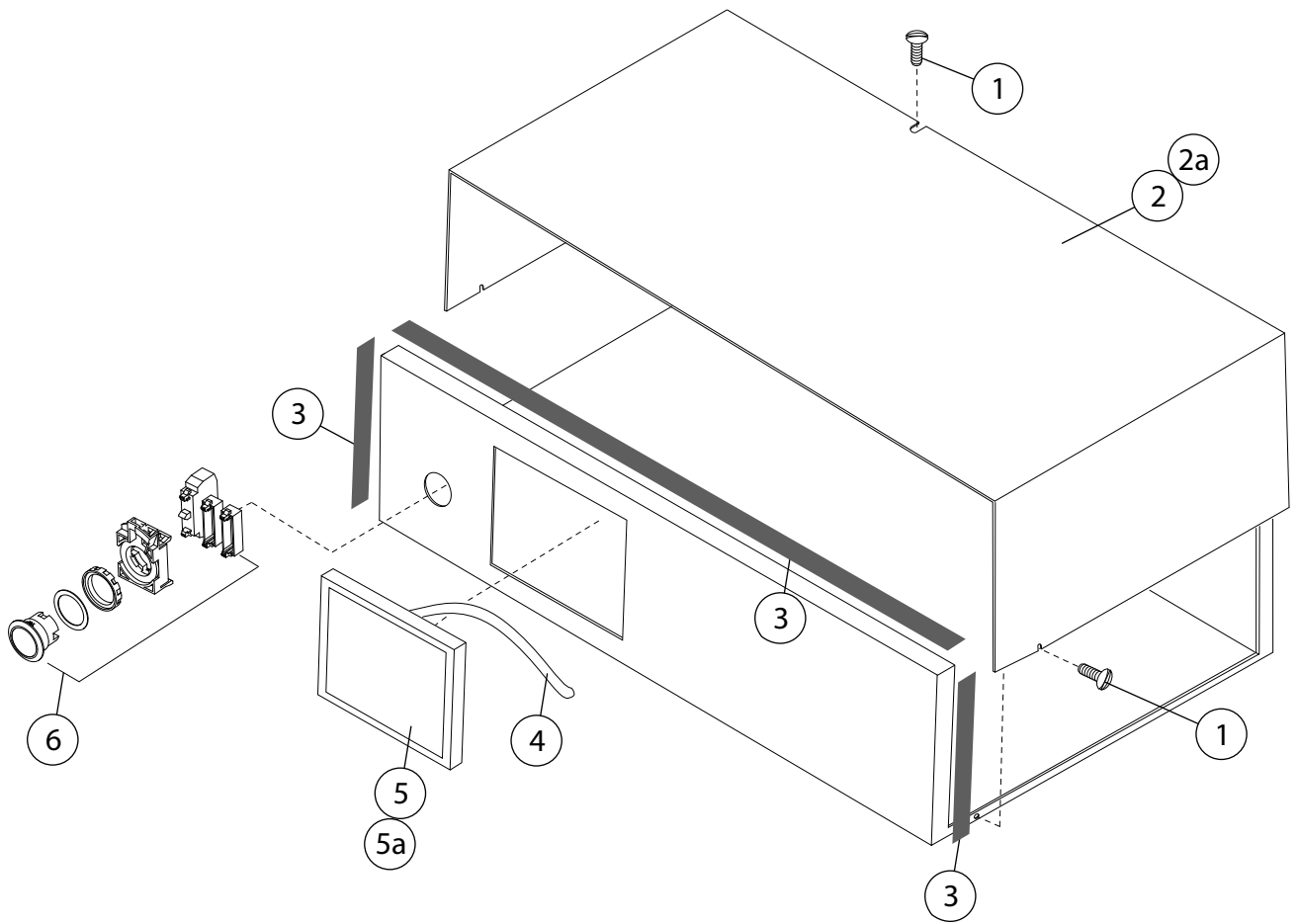
## TABLE OF CONTENTS (Continued)

|  |     |
|--|-----|
| Standard Vent Cowl and Splash Shields .....                                    | 76  |
| Ion Water Conditioner/Drain Water Tempering Kit .....                          | 78  |
| Three Phase Wash/Prewash Pump and Motor .....                                  | 80  |
| Pump Installations .....   | 82  |
| VHR Recirculation Pump Installation .....                                      | 84  |
| Chemical Pump Installation (Beginning with S/N RP20102891) .....               | 86  |
| Dish Racks .....   | 88  |
| 64 PRO Standard Hose Plumbing Diagram (Prior to S/N RP20112924).....           | 90  |
| 64 PRO Main Piping Assembly with Booster (Beginning with S/N RP20112924) ..... | 92  |
| 64 PRO Fill Piping Assembly (Beginning with S/N RP20112924) .....              | 94  |
| 64 PRO Final Rinse Piping Assembly (Beginning with S/N RP20112924).....        | 96  |
| 64PRO-VHR Fill Piping Assembly (Beginning TBD) .....                           | 98  |
| 64PRO-VHR Heat Pump Cold Water Inlet (Beginning TBD).....                      | 100 |
| 64PRO-VHR Final Rinse Piping Assembly (Beginning TBD).....                     | 102 |
| 64PRO-VHR Auto-modulating Discharge Valve Piping Assembly (Beginning TBD)..... | 104 |
| 64 PRO HRU Connect Piping Assembly .....                                       | 106 |
| 64PRO -VHR Hose Plumbing Diagram.....  | 109 |
| 64PRO with Booster Hose Plumbing Diagram .....                                 | 110 |
| 64PRO without Booster Hose Plumbing Diagram .....                              | 111 |



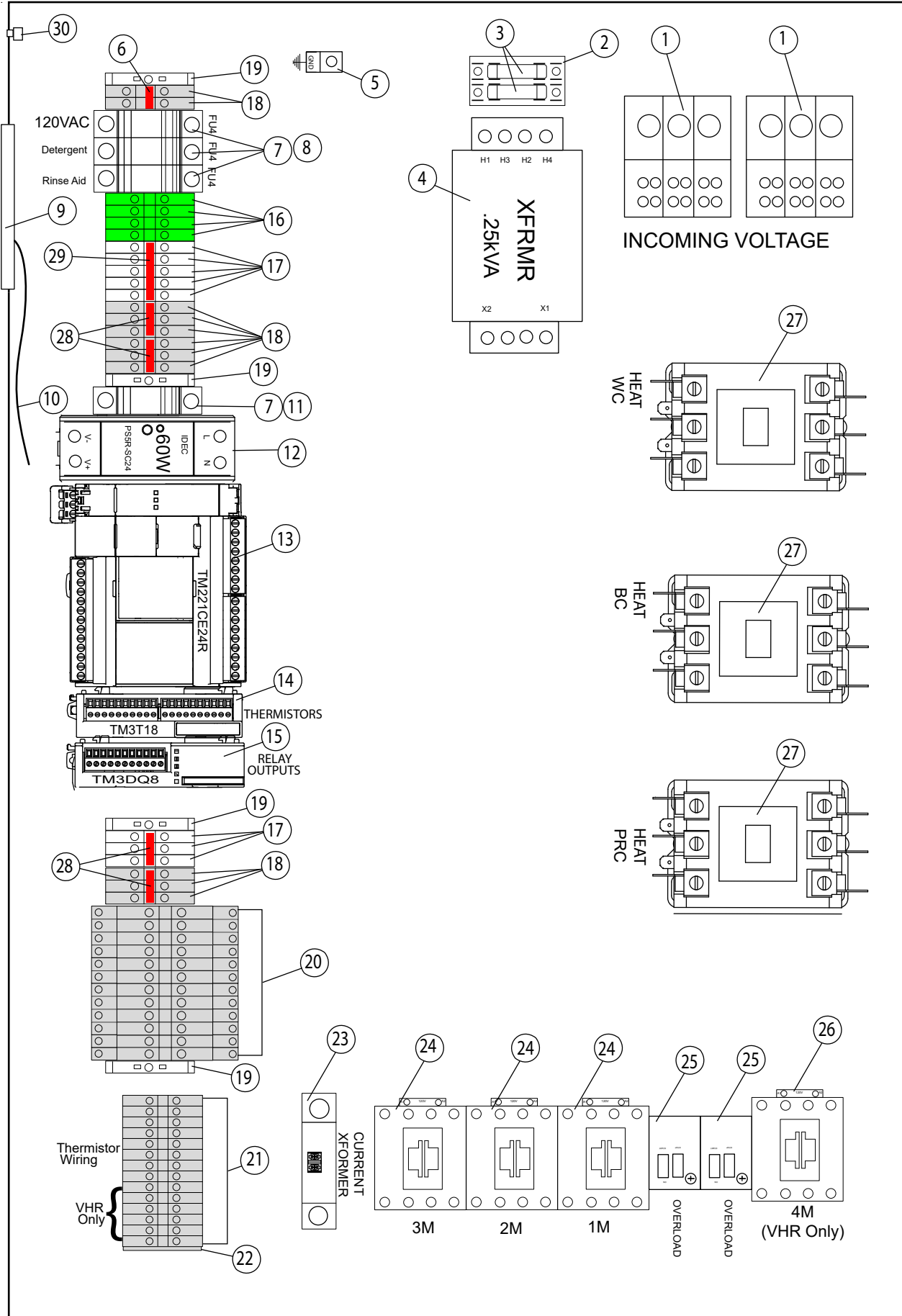
**This Page  
Intentionally  
Left Blank**

# Control Cabinet



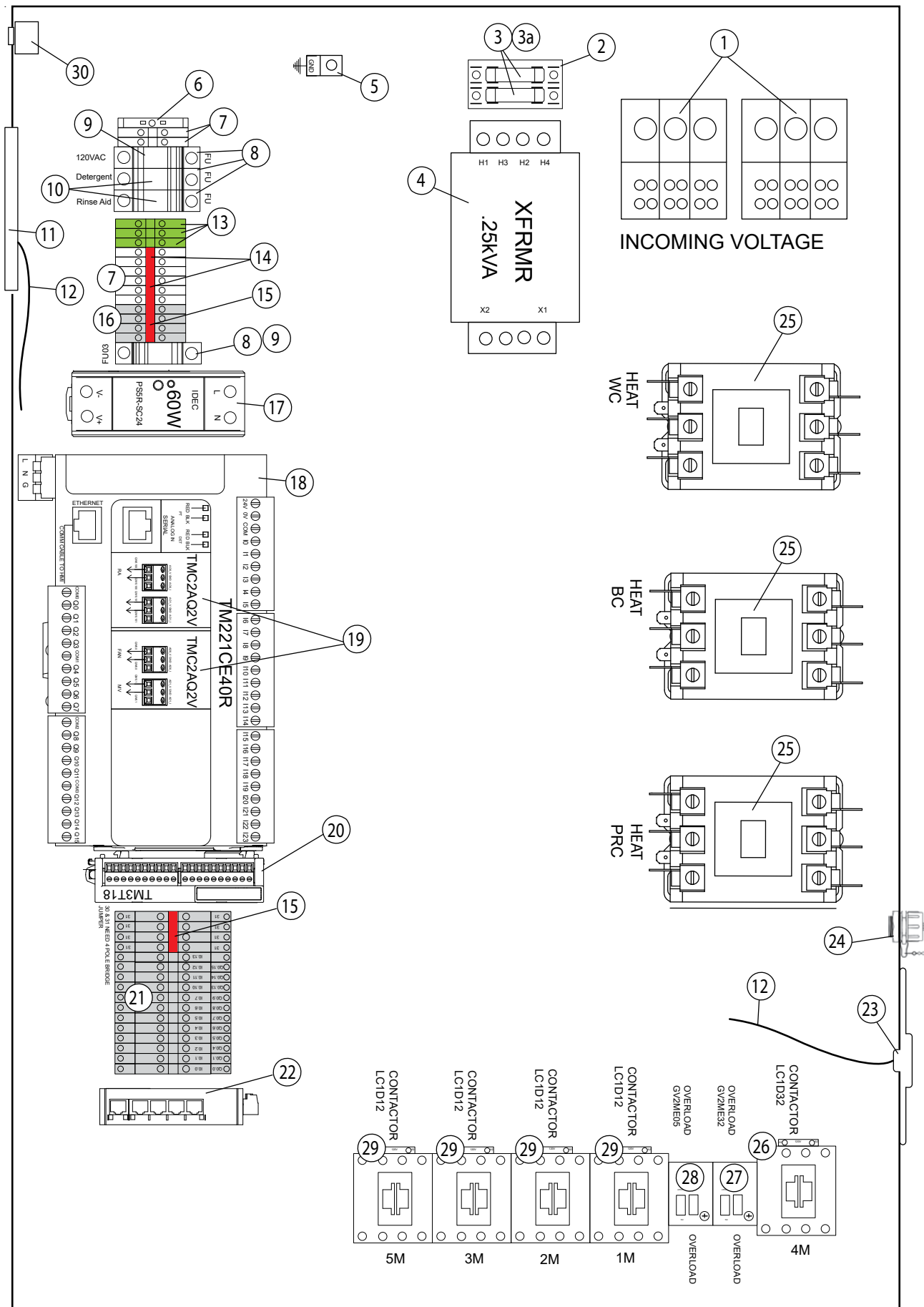
| Item No. | Part No. | Description                                   | Qty.  |
|----------|----------|---|-------|
| 1        | 100007   | SCREW, 10-32 X 3/8" TRUSS HEAD                | 3     |
| 2        | 337563   | COVER, CABINET, 40" (Active, order this part) | 1     |
| 2a       | 339380   | COVER, CABINET 36" (PENDING, S/N TBD)         | 1     |
| 3        | 107431   | GASKET, STEAM                                 | 5 FT. |
| 4        | 116919   | CABLE, HMI TO PLC                             | 1     |
| 5        | 116889   | HMI, 4.3" SCHNEIDER (CURRENT PRODUCTION)      | 1     |
| 5a       | 117082   | HMI, 7" , SCHNEIDER, (BEGINNING S/N TBD)      | 1     |
| 6        | 116852   | PUSH BUTTON, GREEN, FLUSH, 22MM ENGRAVED      | 1     |

Controls (Prior to S/N RP20102891)



| Item No. | Part No. | Description  | Qty. |
|----------|----------|--|------|
| 1        | 111833   | BLOCK, INPUT TERMINAL, 175A, 3-POLE                          | 1    |
| 2        | 112424   | BLOCK, FUSE KIT  | 1    |
| 3        | 112482   | FUSE, 3.5A, 208-240V/60/ 1 & 3                               | 2    |
| 3a       | 112484   | FUSE, 1.5A 460-480V, 380-415V, 575V                          | 2    |
| 4        | 109064   | TRANSFORMER, 250VA   | 1    |
| 5        | 103310   | LUG, GROUND  | 1    |
| 6        | 114523   | BRIDGE, 2-POLE, FBS 2-5                                      | 2    |
| 7        | 111153   | BLOCK, FUSE  | 4    |
| 8        | 112887   | FUSE, ATDR 0.5A, TIME DELAY                                  | 3    |
| 9        | 116889   | HMI, SCHNEIDER PRO FACE                                      | 1    |
| 10       | 116919   | CABLE, NETWORK, PLC TO HMI                                   | 1    |
| 11       | 112901   | FUSE, LPCC 1.0A  | 1    |
| 12       | 116967   | POWER SUPPLY, 60W, IDEC                                      | 1    |
| 13       | 116888   | PLC, SCHNEIDER, TM221CE24R                                   | 1    |
| 14       | 116891   | MODULE, SCHNEIDER THERMISTOR, TM3T18                         | 1    |
| 15       | 116934   | MODULE, RELAY OUTPUT, 8PT, SCHNEIDER TM3DQ8                  | 1    |
| 16       | 114515   | TERMINAL, SINGLE GROUND, ST 2.5 PE, GREEN                    | 4    |
| 17       | 114514   | TERMINAL, SINGLE ST 2.5 WHITE                                | 8    |
| 18       | 114512   | TERMINAL, SINGLE, ST 2.5 GRAY                                | 9    |
| 19       | 114519   | BLOCK, END E/NS 35 N   | 4    |
| 20       | 114517   | TERMINAL, DOUBLE STTB 2.5                                    | 12   |
| 21       | 114520   | TERMINAL, SINGLE, MZB 1.5 NS35                               | 14   |
| 22       | 114516   | END COVER, SINGLE TERMINAL, D-ST 2.5                         | 1    |
| 23       | 116802   | CURRENT, XFMR, DWYER (From S/N RP19051979 to S/N RP20012488) | 1    |
| 24       | 108122   | CONTACTOR, 12A   | 3    |
| 25       | 111624   | OVERLOAD, MOTOR STARTER, 0.63 - 1.0A                         | 2    |
| 26       | 116634   | CONTACTOR, LC1D32G7, 120VAC COIL                             | 1    |
| 27       | 116166   | CONTACTOR, 60 FLA, 3-POLE, 120VAC COIL                       | 3    |
| 28       | 114524   | BRIDGE, 3-POLE, FBS 3-5                                      | 4    |
| 29       | 114823   | BRIDGE, 4-POLE, FBS 4-5                                      | 1    |
| 30       | 116852   | PUSH BUTTON, GREEN, FLUSH, 22MM ENGRAVED                     | 1    |

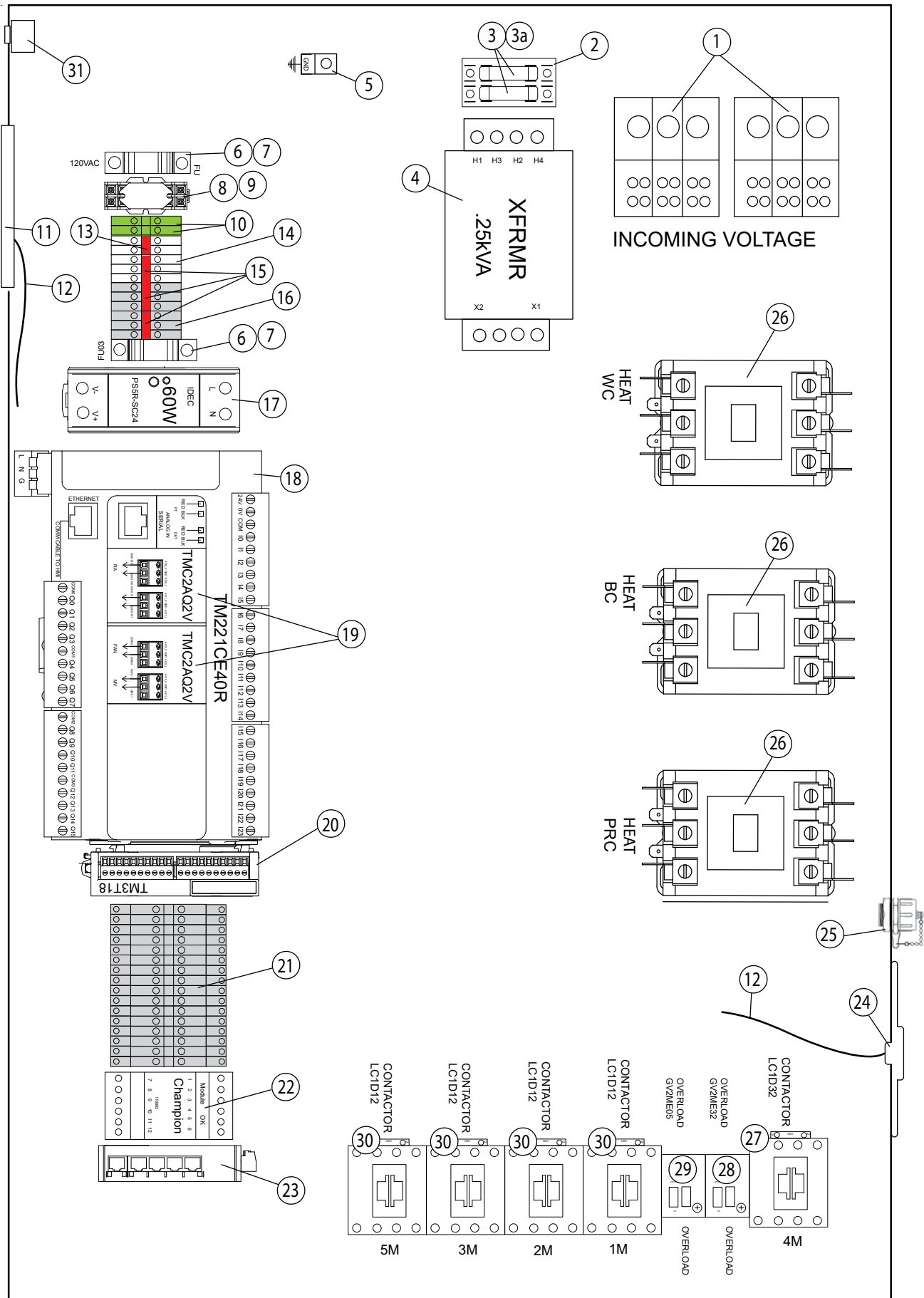
# Controls w/o Chemical Pump Assembly (Beginning with S/N RP20102891)



**Controls w/o Chemical Pump Assembly (Beginning with S/N RP20102891)**

| <b>Item No.</b> | <b>Part No.</b> | <b>Description</b>                        | <b>Qty.</b> |
|-----------------|-----------------|---|-------------|
| 1               | 111833          | BLOCK, INPUT TERMINAL, 175A, 3-POLE       | 2           |
| 2               | 112424          | BLOCK, FUSE KIT                           | 1           |
| 3               | 112482          | FUSE, 3.5A, 208-240V/60/ 1 & 3            | 2           |
| 3a              | 112484          | FUSE, 1.5A 460-480V, 380-415V, 575V       | 2           |
| 4               | 109064          | TRANSFORMER, 250VA                        | 1           |
| 5               | 103310          | LUG, GROUND                               | 1           |
| 6               | 114519          | BLOCK, END, E/NS 35 N                     | 1           |
| 7               | 114514          | TERMINAL, SINGLE ST 2.5 WHITE             | 8           |
| 8               | 111153          | BLOCK, FUSE                               | 4           |
| 9               | 112901          | FUSE, LPCC 1.0A                           | 2           |
| 10              | 112887          | FUSE, ATDR 0.5A, TIME DELAY               | 2           |
| 11              | 116889          | HMI, SCHNEIDER PRO FACE, 11"              | 1           |
| 12              | 116919          | CABLE, NETWORK                            | 2           |
| 13              | 114515          | TERMINAL, SINGLE GROUND, ST 2.5 PE, GREEN | 3           |
| 14              | 114524          | BRIDGE, 3-POLE, FBS 3-5                   | 3           |
| 15              | 114823          | BRIDGE, 4-POLE, FBS 4-5                   | 2           |
| 16              | 114512          | TERMINAL, SINGLE, ST 2.5 GRAY             | 6           |
| 17              | 116967          | POWER SUPPLY, 60W, IDEC                   | 1           |
| 18              | 117105          | PLC, SCHNEIDER, TM221CE40R                | 1           |
| 19              | 116890          | CARTRIDGE, ANALOG OUTPUT                  | 2           |
| 20              | 116891          | MODULE, SCHNEIDER THERMISTOR, TM3T18      | 1           |
| 21              | 114517          | TERMINAL, DOUBLE STTB 2.5                 | 16          |
| 22              | 117132          | ROUTER & HUB, WIRELESS, STRIDELINX        | 1           |
| 23              | 117159          | ANTENNA, WIFI, 2.4 GHZ                    | 1           |
| 24              | 117244          | COUPLER, RJ45 ETHERNET W/ DUST CAP        | 1           |
| 25              | 116166          | CONTACTOR, 60 FLA, 3-POLE, 120VAC COIL    | 3           |
| 26              | 116634          | CONTACTOR, LC1D32G7, 120VAC COIL          | 1           |
| 27              | 116636          | OVERLOAD, MOTOR STARTER, 24-32A           | 1           |
| 28              | 111624          | OVERLOAD, MOTOR STARTER, 0.63 - 1.0A      | 1           |
| 29              | 108122          | CONTACTOR, 12A                            | 4           |
| 30              | 116852          | PUSH BUTTON, GREEN, FLUSH, 22MM ENGRAVED  | 1           |

# Controls with Chemical Pump Assembly (Beginning with S/N RP20102891)

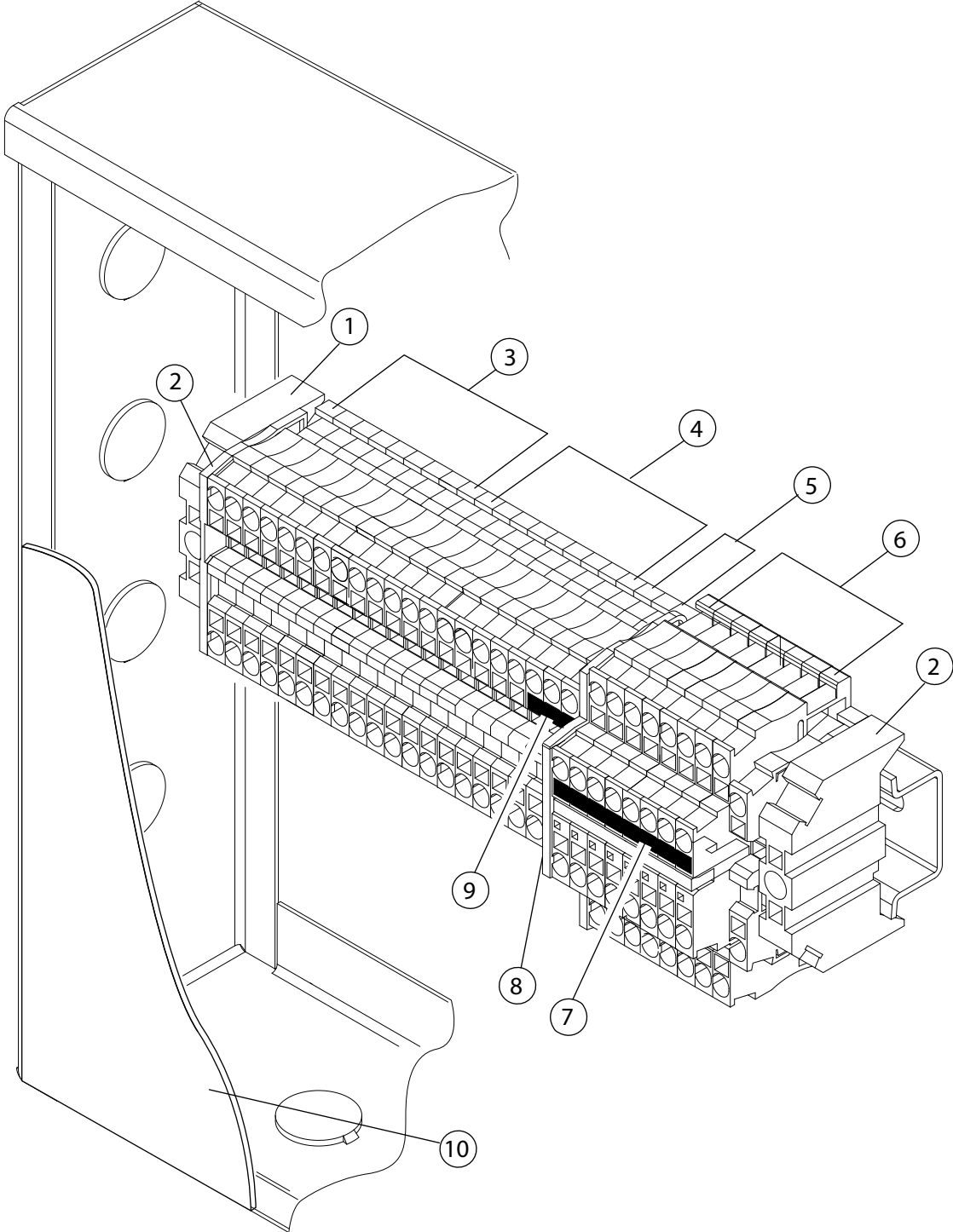




**Controls with Chemical Pump Assembly (Beginning with S/N RP20102891)**

| <b>Item No.</b> | <b>Part No.</b> | <b>Description</b>                        | <b>Qty.</b> |
|-----------------|-----------------|---|-------------|
| 1               | 111833          | BLOCK, INPUT TERMINAL, 175A, 3-POLE       | 2           |
| 2               | 112424          | BLOCK, FUSE KIT                           | 1           |
| 3               | 112482          | FUSE, 3.5A, 208-240V/60/ 1 & 3            | 2           |
| 3a              | 112484          | FUSE, 1.5A 460-480V, 380-415V, 575V       | 2           |
| 4               | 109064          | TRANSFORMER, 250VA                        | 1           |
| 5               | 103310          | LUG, GROUND                               | 1           |
| 6               | 111153          | BLOCK, FUSE                               | 2           |
| 7               | 112901          | FUSE, LPCC 1.0A                           | 2           |
| 8               | 111036          | SOCKET, RELAY                             | 1           |
| 9               | 111068          | RELAY, 2PDT, 120VAC                       | 1           |
| 10              | 114515          | TERMINAL, SINGLE GROUND, ST 2.5 PE, GREEN | 2           |
| 11              | 116889          | HMI, SCHNEIDER PRO FACE, 11"              | 1           |
| 12              | 116919          | CABLE, NETWORK                            | 2           |
| 13              | 114523          | BRIDGE, 2-POLE, FBS 2-5                   | 1           |
| 14              | 114514          | TERMINAL, SINGLE ST 2.5 WHITE             | 5           |
| 15              | 114524          | BRIDGE, 3-POLE, FBS 3-5                   | 3           |
| 16              | 114512          | TERMINAL, SINGLE, ST 2.5 GRAY             | 6           |
| 17              | 116967          | POWER SUPPLY, 60W, IDEC                   | 1           |
| 18              | 117105          | PLC, SCHNEIDER, TM221CE40R                | 1           |
| 19              | 116890          | CARTRIDGE, ANALOG OUTPUT                  | 2           |
| 20              | 116891          | MODULE, SCHNEIDER THERMISTOR, TM3T18      | 1           |
| 21              | 114517          | TERMINAL, DOUBLE STTB 2.5                 | 16          |
| 22              | 116892          | CONDITIONER, DETERGENT SIGNAL             | 1           |
| 23              | 117132          | ROUTER & HUB, WIRELESS, STRIDELINX        | 1           |
| 24              | 117159          | ANTENNA, WIFI, 2.4 GHZ                    | 1           |
| 25              | 117244          | COUPLER, RJ45 ETHERNET W/ DUST CAP        | 1           |
| 26              | 116166          | CONTACTOR, 60 FLA, 3-POLE, 120VAC COIL    | 3           |
| 27              | 116634          | CONTACTOR, LC1D32G7, 120VAC COIL          | 1           |
| 28              | 116636          | OVERLOAD, MOTOR STARTER, 24-32A           | 1           |
| 29              | 111624          | OVERLOAD, MOTOR STARTER, 0.63 - 1.0A      | 1           |
| 30              | 108122          | CONTACTOR, 12A                            | 4           |
| 31              | 116852          | PUSH BUTTON, GREEN, FLUSH, 22MM ENGRAVED  | 1           |

Junction Box

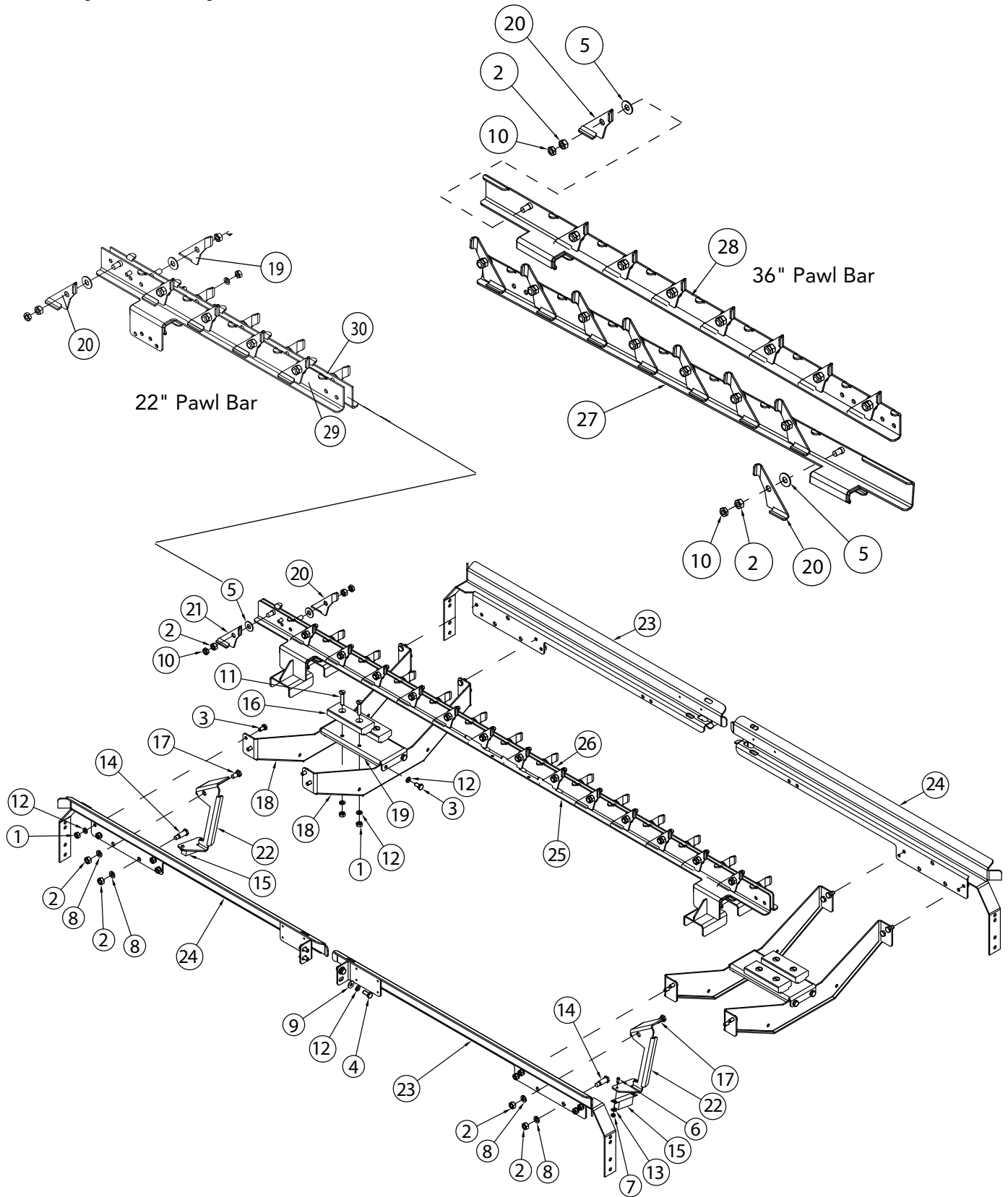


| Item No. | Part No. | Description  | Qty. |
|----------|----------|--|------|
| 1        | 114519   | END BLOCK, E/NS 35N  | 2    |
| 2        | 114516   | END COVER, SINGLE TERMINAL D-ST-2.5                                    | 1    |
| 3        | 114513   | TERMNAL, SINGLE ST 2.5 BU (BLUE)                                       | 9    |
| 4        | 114512   | TERMINAL, SINGLE ST 2.5 (GRAY)   | 9    |
| 5        | 114514   | TERMINAL, SINGLE ST 2.5 WH, (WHITE)                                    | 3    |
| 6        | 114517   | TERMINAL, DOUBLE STTB 2.5  | 9    |
| 7        | 114522   | BRIDGE, 10 POLE FBS 10-5   | 1    |
| 8        | 114518   | END COVER, DOUBLE TERMINAL D-STTB 2.5                                  | 1    |
| 9        | 114524   | BRIDGE, 3 POLE FBS 3-5   | 1    |
| 10       | 337582   | COVER, ENCLOSURE   | 1    |
| ---      | 114520   | THERMISTOR TERMINAL BLOCK, SINGLE<br>TERMINAL MZB 1.5 NS35 (NOT SHOWN) | 4    |

## NOTE:

TERMINAL BLOCK QUANTITIES MAY VARY DEPENDING ON MACHINE OPTIONS.

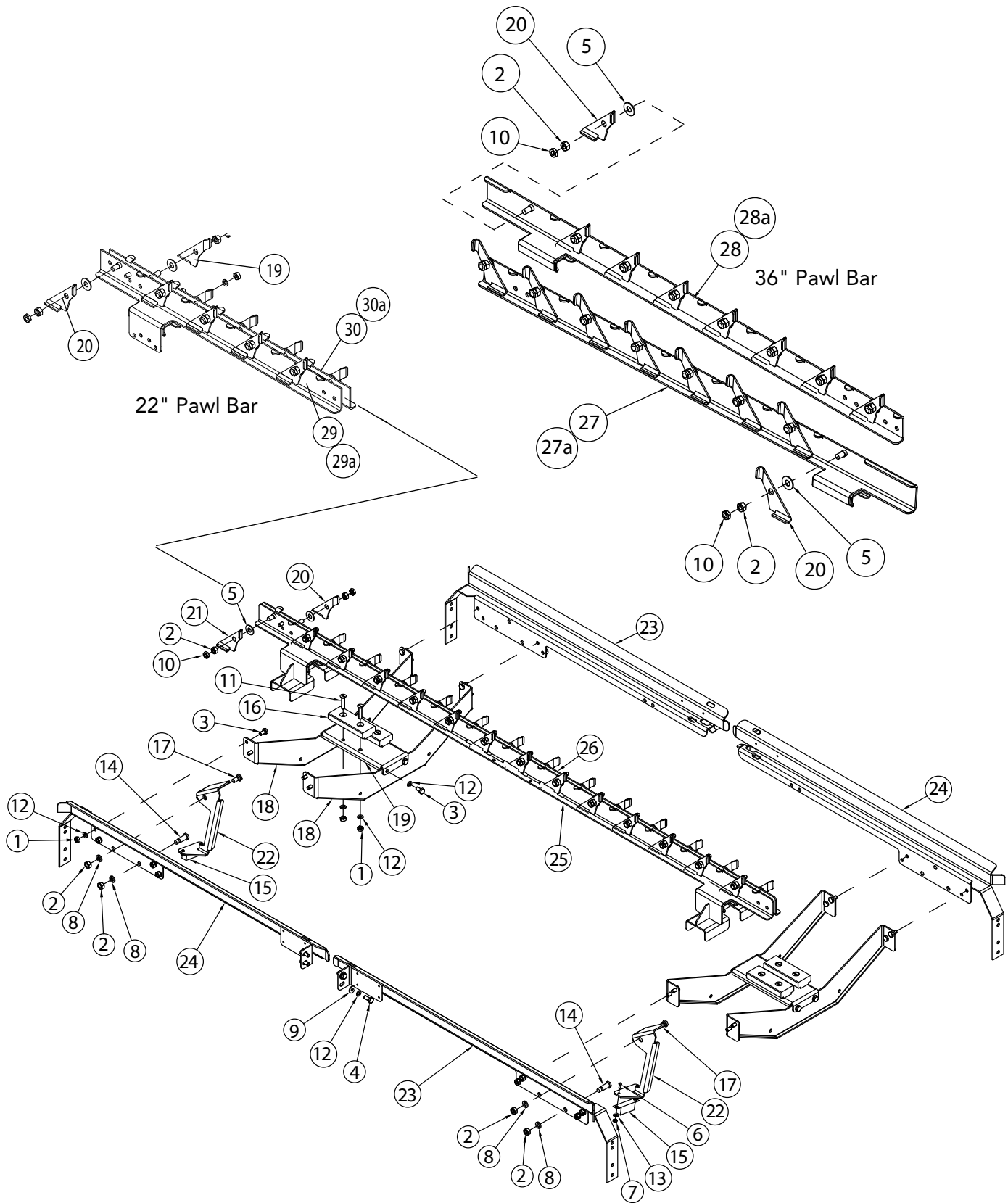
# Conveyor Assembly (Prior to S/N RP21013012)



**Conveyor Assembly (Prior to S/N RP21013012)**

| <b>Item No.</b> | <b>Part No.</b> | <b>Description</b>                              | <b>Qty.</b> |
|-----------------|-----------------|---|-------------|
| 1               | 100003          | HEX PLAIN NUT, 1/4-20 SST                       | 24          |
| 2               | 100154          | HEX PLAIN NUT, 5/16-18 SST                      | 32          |
| 3               | 100734          | BOLT, HEX HEAD 1/4-20 X 1/2" SST                | 24          |
| 4               | 100735          | BOLT, HEX HEAD, 1/4-20 X 5/8" SST               | 4           |
| 5               | 104618          | WASH, FLAT, 3/8"                                | 28          |
| 6               | 104883          | SCREW, 6-32 X 3/8", ROUND HEAD, SST             | 4           |
| 7               | 104971          | HEX GRIP NUT, 6-32 SST                          | 4           |
| 8               | 106013          | WASHER, LOCK, 5/16" SPLIT, SST                  | 4           |
| 9               | 106026          | WASHER, FLAT, 1/4" SST                          | 4           |
| 10              | 106198          | NUT, JAM 5/16-18 SST                            | 28          |
| 11              | 106474          | SCREW, FLAT HEAD, 1/4-20 X 1-1/4" SST           | 8           |
| 12              | 106482          | WASHER, LOCK 1/4" SPLIT SST                     | 36          |
| 13              | 107033          | WASHER, FLAT, SST                               | 4           |
| 14              | 113692          | BOLT SHOULDER 3/8" X 3/4" X 5/16-18 X 3/8" SST  | 2           |
| 15              | 113937          | MAGNET, REED SWITCH                             | 2           |
| 16              | 116333          | BEARING, BLOCK, UHMW                            | 4           |
| 17              | 116470          | BOLT, SHOULDER 3/8" X 1/8" X 5/16-18 X 1/2" SST | 2           |
| 18              | 337302          | CROSSRAIL, SUPPORT, DEVP., PRO                  | 4           |
| 19              | 337303          | CROSSRAIL, DEVP., BEARING MOUNT, V2             | 2           |
| 20              | 337602-1        | PAWL, FRONT, RL, PRO RACK, FAS                  | 14          |
| 21              | 337602-2        | PAWL, FRONT, LR, PRO RACK, FOP                  | 14          |
| 22              | 338180-1        | IDLE/FINAL RINSE LEVER, LR, M1 PRO RACK         | 2           |
| 23              | 339466          | TRACK, WELD, 64 PRO, LH-RR OR RH-FR             | 2           |
| 24              | 339467          | TRACK WELD, 64 PRO, LH-FR OR RH-RR              | 2           |
| 25              | 420570          | PAWL BAR ASSY., ROLL DR, 64 PRO, LR-FR OR RL-RR | 1           |
| 26              | 420571          | PAWL BAR ASSY., ROLL DR, 64 PRO, LR-RR OR RL-FR | 1           |
| 27              | 338271          | PAWL BAR ASSY., 36" LH, PREWASH                 | 1           |
| 28              | 338272          | PAWL BAR ASSY., 36" RH, PREWASH                 | 1           |
| 29              | 420346          | PAWL BAR ASSY., 22 PRO, RH                      | 1           |
| 30              | 420347          | PAWL BAR ASSY., 22 PRO LH                       | 1           |

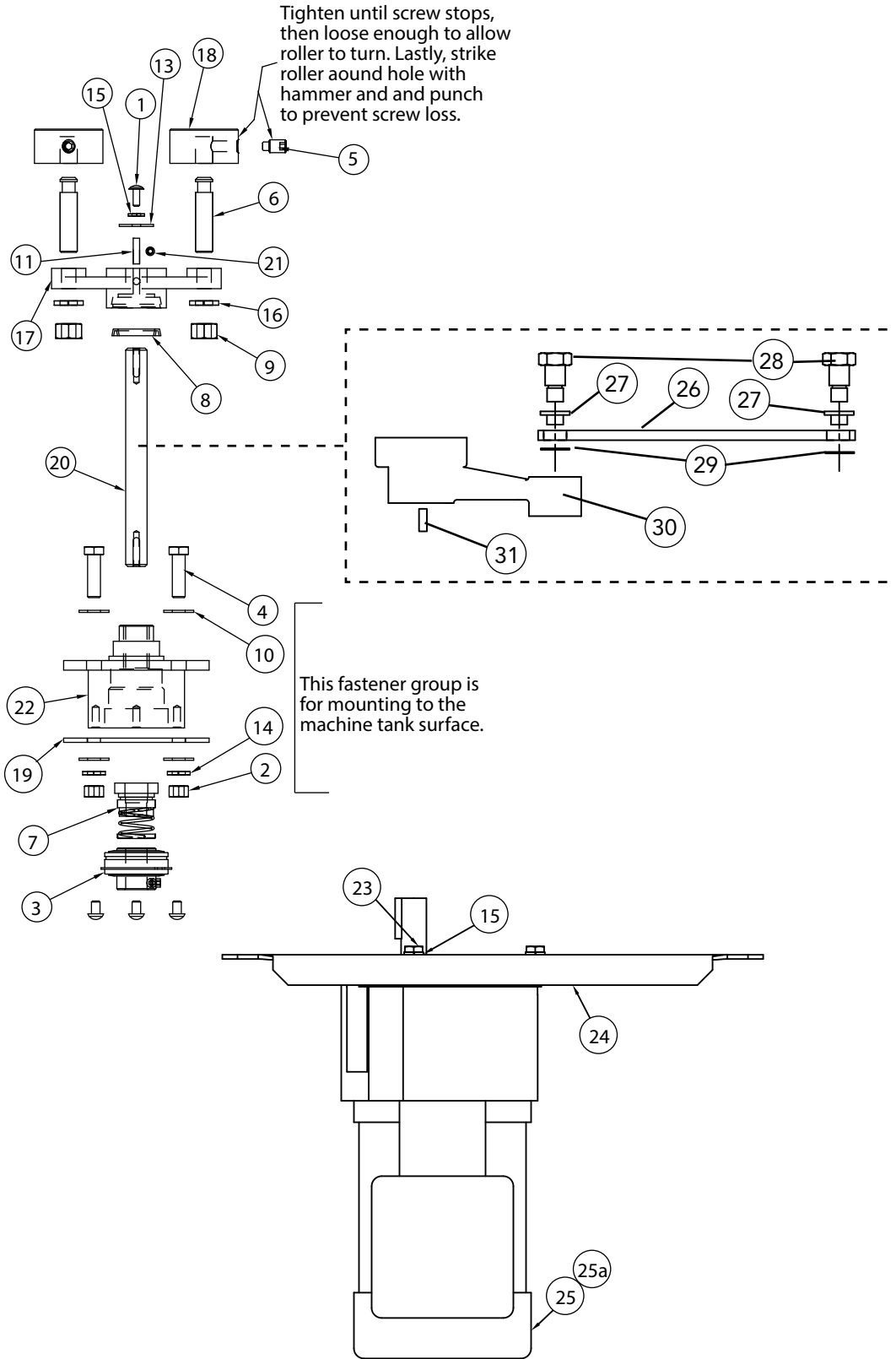
# Conveyor Assembly (Beginning with S/N RP21013012)



**Conveyor Assembly (Beginning with S/N RP21013012)**

| <b>Item No.</b> | <b>Part No.</b> | <b>Description</b>                              | <b>Qty.</b> |
|-----------------|-----------------|---|-------------|
| 1               | 100003          | HEX PLAIN NUT, 1/4-20 SST                       | 24          |
| 2               | 100154          | HEX PLAIN NUT, 5/16-18 SST                      | 32          |
| 3               | 100734          | BOLT, HEX HEAD 1/4-20 X 1/2" SST                | 24          |
| 4               | 100735          | BOLT, HEX HEAD, 1/4-20 X 5/8" SST               | 4           |
| 5               | 104618          | WASH, FLAT, 3/8"                                | 28          |
| 6               | 104883          | SCREW, ROUND HEAD, 6-32 X 3/8" SST              | 4           |
| 7               | 104971          | HEX GRIP NUT, 6-32 SST                          | 4           |
| 8               | 106013          | WASHER, LOCK, 5/16" SPLIT, SST                  | 4           |
| 9               | 106026          | WASHER, FLAT, 1/4" SST                          | 4           |
| 10              | 106198          | HEX PLAIN JAM NUT, 5/16-18 SST                  | 28          |
| 11              | 106474          | SCREW, FLAT HEAD, 1/4-20 X 1-1/4" SST           | 8           |
| 12              | 106482          | WASHER, LOCK 1/4" SPLIT SST                     | 36          |
| 13              | 107033          | WASHER, FLAT, SST                               | 4           |
| 14              | 113692          | BOLT SHOULDER 3/8" X 3/4" X 5/16-18 X 3/8" SST  | 2           |
| 15              | 113937          | MAGNET, REED SWITCH                             | 2           |
| 16              | 116333          | BEARING, BLOCK, UHMW                            | 4           |
| 17              | 116470          | BOLT, SHOULDER 3/8" X 1/8" X 5/16-18 X 1/2" SST | 2           |
| 18              | 337302          | CROSSRAIL, SUPPORT, DEVP., PRO                  | 4           |
| 19              | 337303          | CROSSRAIL, DEVP., BEARING MOUNT, V2             | 2           |
| 20              | 337602-1        | PAWL, FRONT, RL, PRO RACK, FAS                  | 14          |
| 21              | 337602-2        | PAWL, FRONT, LR, PRO RACK, FOP                  | 14          |
| 22              | 338180-1        | IDLE/FINAL RINSE LEVER, LR, M1 PRO RACK         | 2           |
| 23              | 339466          | TRACK, WELD, 64 PRO, LH-RR OR RH-FR             | 2           |
| 24              | 339467          | TRACK WELD, 64 PRO, LH-FR OR RH-RR              | 2           |
| 25              | 420570          | PAWL BAR ASSY., ROLL DR, 64 PRO, LR-FR OR RL-RR | 1           |
| 26              | 420571          | PAWL BAR ASSY., ROLL DR, 64 PRO, LR-RR OR RL-FR | 1           |
| 27              | 421213          | PAWL BAR ASSY., 36" LH, PREWASH                 | 1           |
| 27a             | 421215          | VHR PAWL BAR ASSY., 36" LH PREWASH              | 1           |
| 28              | 421214          | PAWL BAR ASSY., 36" RH, PREWASH                 | 1           |
| 28a             | 421216          | VHR PAWL BAR ASSY., 36" RH PREWASH              | 1           |
| 29              | 421211          | PAWL BAR ASSY., 22" LH, PREWASH                 | 1           |
| 29a             | 421191          | VHR PAWL BAR ASSY., 22" LH PREWASH              | 1           |
| 30              | 421212          | PAWL BAR ASSY., RH PREWASH                      | 1           |
| 30a             | 421192          | VHR PAWL BAR ASSY., 22" RH PREWASH              | 1           |

# Continual Drive Assembly (Prior to S/N RP20012488)

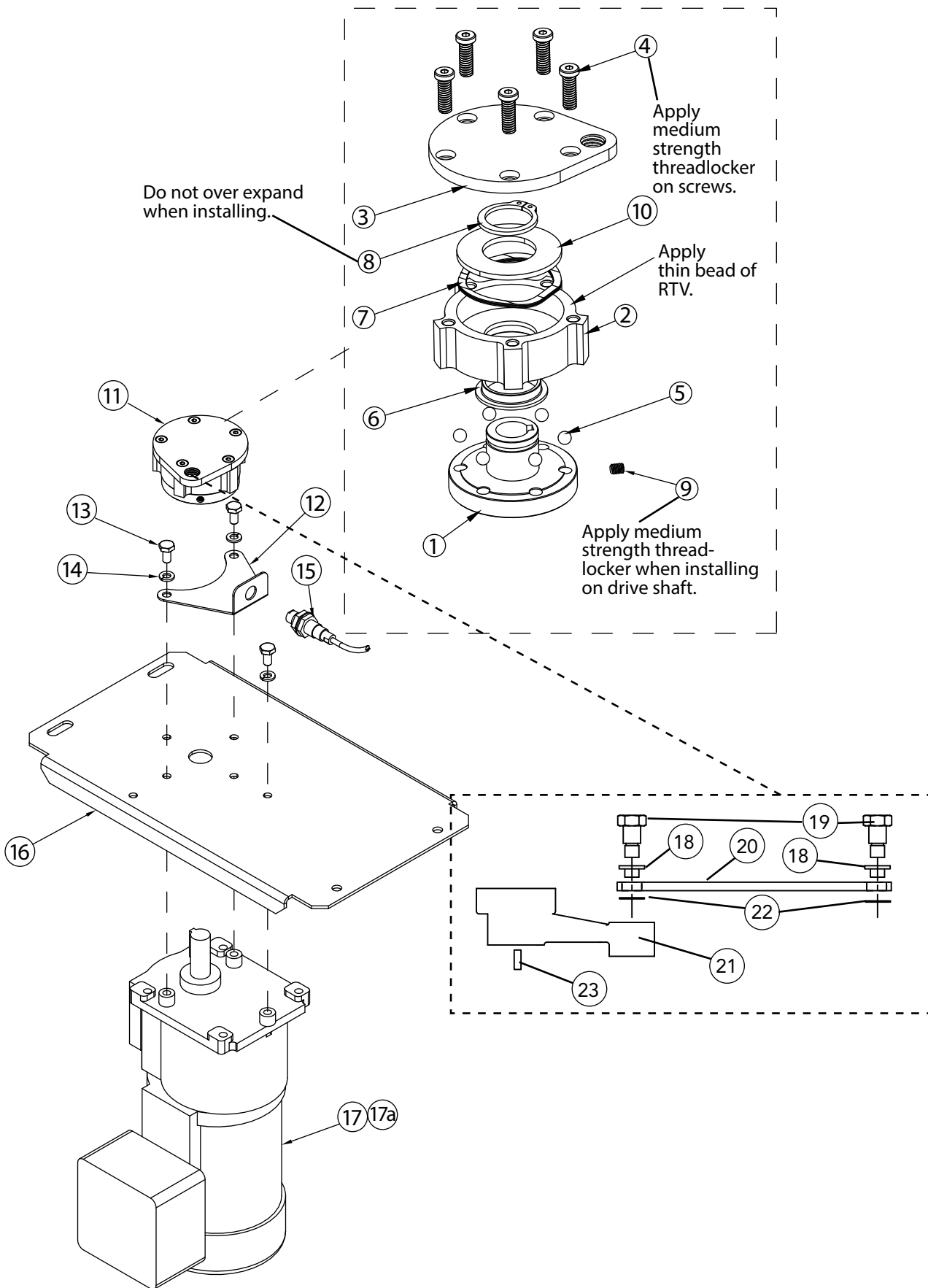




**Continual Drive Assembly (Prior to S/N RP20012488)**

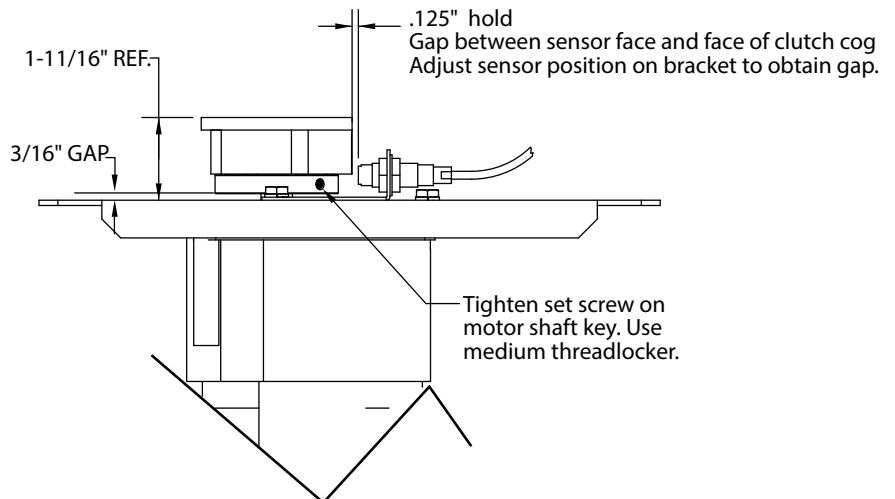
| <b>Item No.</b> | <b>Part No.</b> | <b>Description</b>                                | <b>Qty.</b> |
|-----------------|-----------------|---|-------------|
| 1               | 100097          | SCREW, TRUSS HEAD, 10-32 X 1/2" SST               | 1           |
| 2               | 100140          | HEX PLAIN NUT, 3/8-16 SST                         | 4           |
| 3               | 100382          | BEARING, RACK, DRIVE                              | 1           |
| 4               | 100746          | BOLT, HEX HEAD, 3/8-16 X 1-1/4" SST               | 4           |
| 5               | 100769          | SCREW SET 3/8-16 X 3/4", DOG POINT                | 2           |
| 6               | 100868          | ROLLER, STUD, CROSSHEAD                           | 2           |
| 7               | 102244          | SEAL, 5/8", 2-PIECE                               | 1           |
| 8               | 103180          | WIPER RING, CRANK, RACKS                          | 1           |
| 9               | 104584          | HEX PLAIN NUT, 1/2-13 SST                         | 2           |
| 10              | 104618          | WASHER, FLAT 3/8" SST                             | 8           |
| 11              | 104916          | KEY, 3/16" X 3/16" X 3/4" SST                     | 1           |
| 12              | 104923          | SCREW, ROUND HEAD, 1/4-20 X 3/8" SST              | 4           |
| 13              | 104925          | WASHER, FLAT, 1/4" SST                            | 1           |
| 14              | 106407          | WASHER, LOCK, 3/8" SPLIT, SST                     | 4           |
| 15              | 106482          | WASHER, LOCK 1/4" SPLIT, SST                      | 2           |
| 16              | 107589          | WASHER, LOCK, 1/2" SPLIT, SST                     | 1           |
| 17              | 116932          | DRIVE, CRANK CASTING                              | 2           |
| 18              | 202381          | ROLLER, CROSSHEAD, RACK MACHINE                   | 2           |
| 19              | 206303          | GASKET, BEARING HOUSING                           | 1           |
| 20              | 207430          | SHAFT, DRIVE, V2 RACK                             | 1           |
| 21              | 0501395         | SET SCREW, 1/4-20 X 5/16" SST                     | 1           |
| 22              | B1074-1         | BEARING, HOUSING, WITH BUSHING                    | 1           |
| 23              | 100734          | BOLT, HEX HEAD, 1/4-20 X 1/2" SST                 | 3           |
| 24              | 339371          | BRACKET, CONTINUAL DRIVE MTR. SUPPORT, 2-T        | 1           |
| 25              | 116810          | GEARMOTOR, 1/6HP, MV/3PH, 27.2 RPM                | A/R         |
| 25a             | 116908          | GEARMOTOR, 1/6HP, 575/3PH, 27.2 RPM               | A/R         |
| 26              | 337082          | LINKAGE, DRIVE                                    | 1           |
| 27              | 116364          | BUSHING, BRONZE OIL, 5/8" X 7/8" 1/2" LG, FLG     | 2           |
| 28              | 116638          | BOLT, SHOULDER, 5/8" X 5/8" X 1/2-13 SST HEX HEAD | 2           |
| 29              | 104882          | WASHER  | 2           |
| 30              | 202386          | CRANK, SST MACHINED                               | 1           |
| 31              | 104915          | KEY, 3/16" X 3/16" X 1-1/4"                       | 1           |

# Clutch Style Continual Drive Assembly (Beginning with S/N RP20012488)

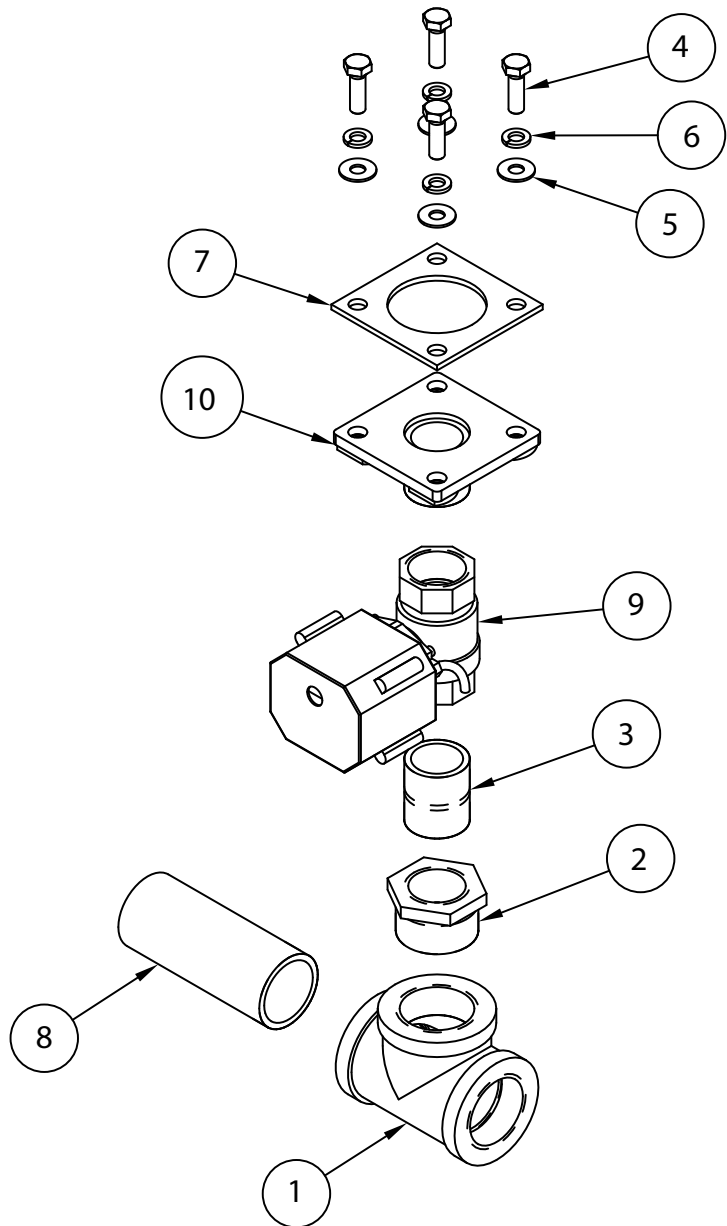


## Clutch Style Continual Drive Assembly (Beginning with S/N RP20012488)

| Item No. | Part No. | Description                                       | Qty. |
|----------|----------|---|------|
| 1        | 117044   | DRIVE CLUTCH, LOWER HUB                           | 1    |
| 2        | 117045   | DRIVE CLUTCH, OUTER HUB                           | 1    |
| 3        | 117046   | CLUTCH LINKAGE                                    | 1    |
| 4        | 117050   | LOW PROFILE BOLT, 1/4-20, SST                     | 5    |
| 5        | 117051   | .250" 440C BEARING, BALL                          | 6    |
| 6        | 117052   | GFI-1618-04, IGUS BEARING                         | 1    |
| 7        | 117109   | DRIVE CLUTCH, SMALLEY WAVE SPRING                 | 1    |
| 8        | 117110   | RETAINING RING, DRIVE CLUTCH                      | 1    |
| 9        | 117111   | SET SCREW, 10-32 SS NON-MARING                    | 1    |
| 10       | 339623   | PRO-DRIVE CLUTCH SPRING RETAINER                  | 1    |
| 11       | 454231   | PRO DRIVE CLUTCH                                  | 1    |
| 12       | 339377   | DRIVE CLUTCH SENSOR BRACKET                       | 1    |
| 13       | 100734   | BOLT, HEX HEAD, 1/4-20 X 1/2" SST                 | 3    |
| 14       | 106482   | WASHER, LOCK, 1/4" SPLIT SST                      | 3    |
| 15       | 117108   | SENSOR, PROXIMITY                                 | 1    |
| 16       | 338708   | BRACKET, CONTINUAL DRIVE MTR. SUPPORT             | 1    |
| 17       | 116810   | GEARMOTOR, 1/6HP, MV/3PH, 27.2 RPM                | A/R  |
| 17a      | 116908   | GEARMOTOR, 1/6HP, 575/3PH, 27.2 RPM               | A/R  |
| 18       | 116364   | BUSHING, 5/8" X 7/8" X 1/2" LG. FL                | 2    |
| 19       | 116638   | BOLT, SHOULDER, 5/8" X 5/8" X 1/2-13 SST HEX HEAD | 2    |
| 20       | 337082   | LINKAGE, DRIVE                                    | 1    |
| 21       | 202386   | CRANK, SST MACHINED                               | 1    |
| 22       | 104882   | WASHER  | 2    |
| 23       | 104915   | KEY, 3/16" X 3/16" X 1-1/4"                       | 1    |

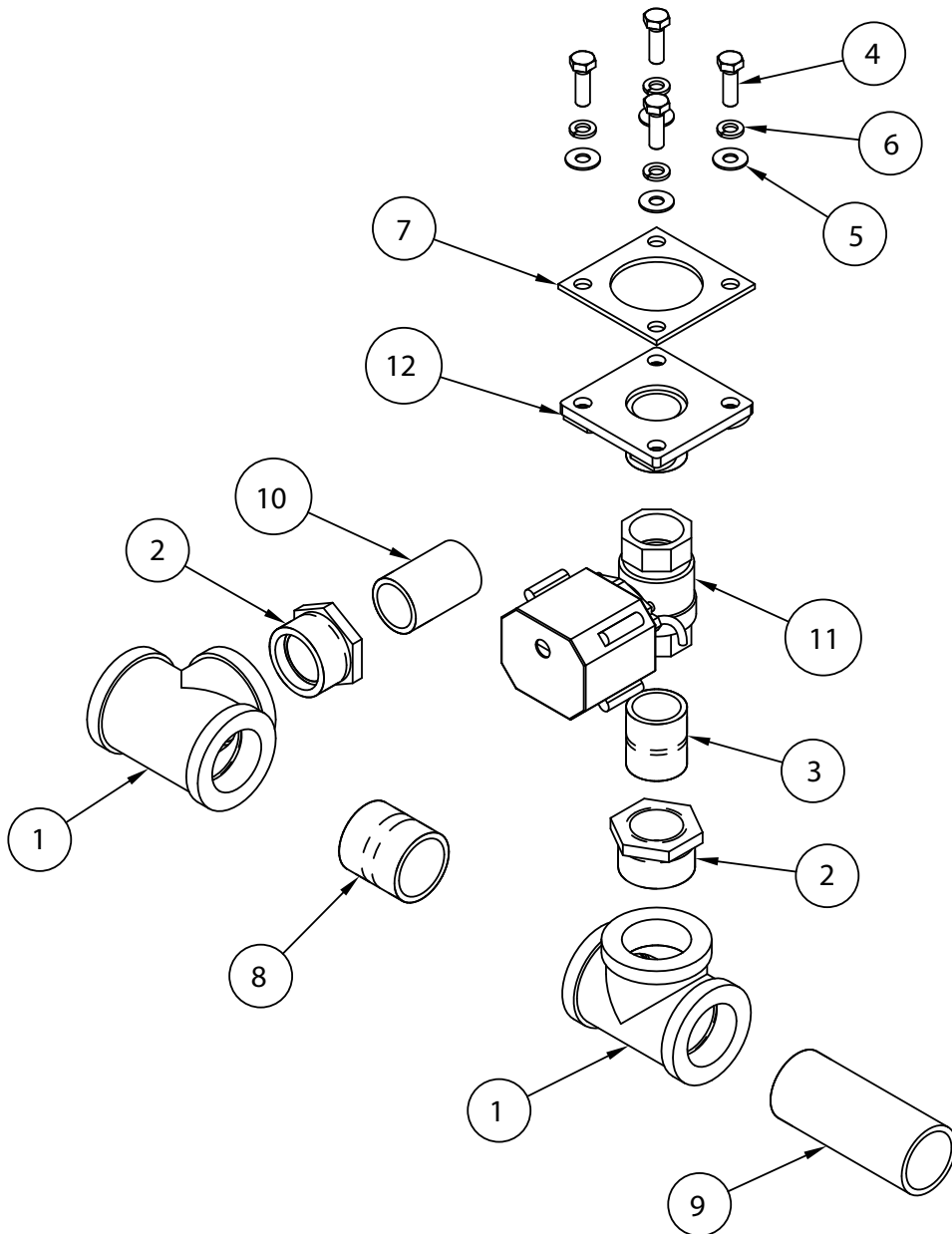


# Power Rinse Drain Assembly



| Item No. | Part No. | Description                                      | Qty. |
|----------|----------|--|------|
| 1        | 100510   | TEE, 1-1/4" NPT, SST                             | 1    |
| 2        | 100535   | BUSHING, REDUCING, 1-1/4" NPT X 1" NPT SST       | 1    |
| 3        | 100694   | NIPPLE, 1" NPT X CLOSE SST                       | 1    |
| 4        | 100740   | BOLT HEX HEAD, 5-16/18 X 1" SST                  | 4    |
| 5        | 102376   | WASHER, FLAT 5/16" SST                           | 4    |
| 6        | 106013   | WASHER, LOCK 5/16" SPLIT SST                     | 4    |
| 7        | 108345   | GASKET 3" X 3" 1/8", 2" HOLE                     | 1    |
| 8        | 115205   | NIPPLE, TOE, 1-1/4" NPT X 4" LG. SST             | 1    |
| 9        | 117014   | VALVE BALL, 1" NPT , BRASS, 110-230V ELECTRIC NC | 1    |
| 10       | 207802   | DRAIN, FLANGE, 1" MNPT, CAST SST                 | 1    |

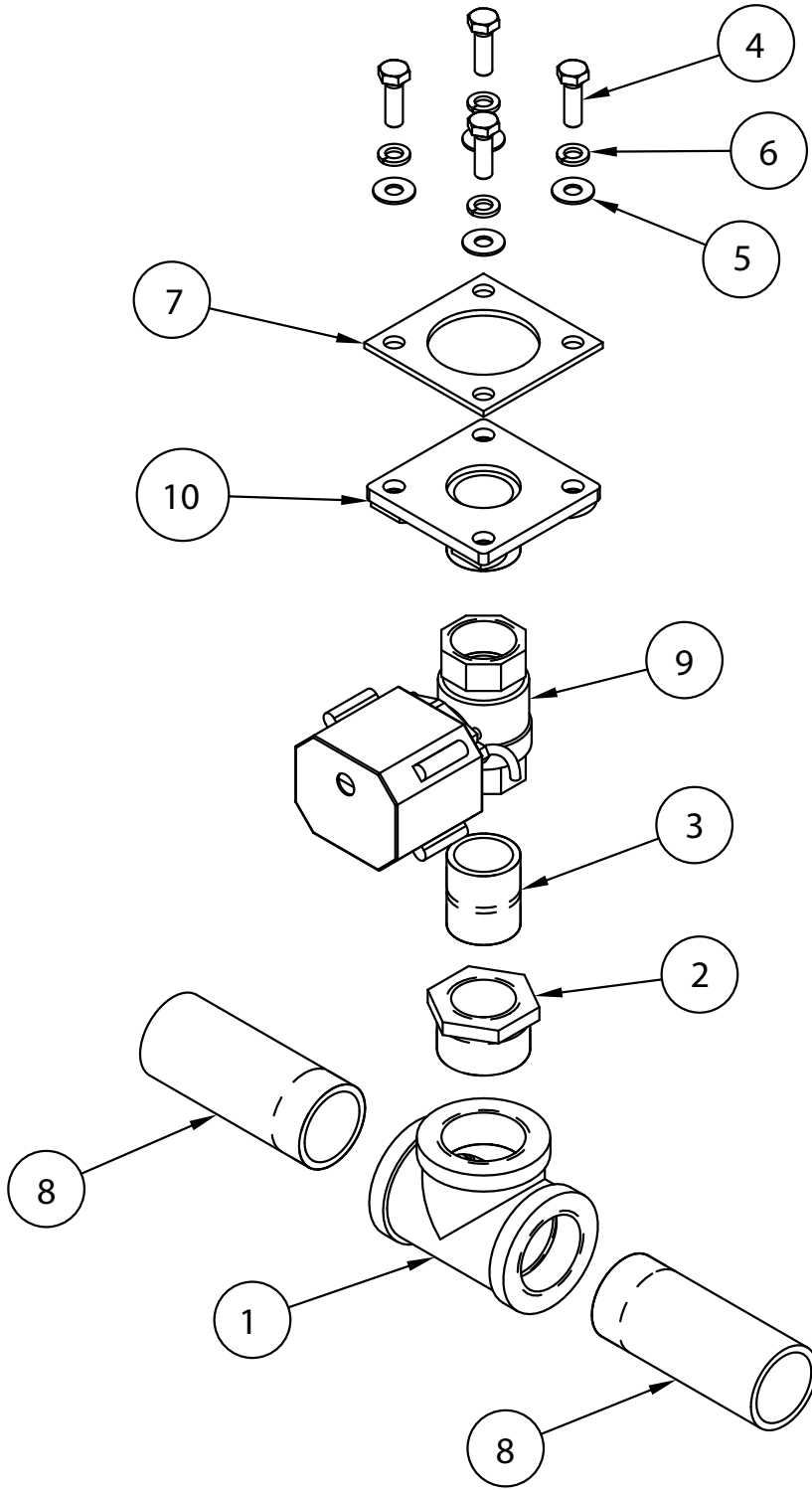
# Wash Tank Drain Assembly without Prewash



**Wash Tank Drain Assembly without Prewash**

| <b>Item No.</b> | <b>Part No.</b> | <b>Description</b>                             | <b>Qty.</b> |
|-----------------|-----------------|--|-------------|
| 1               | 100510          | TEE, 1-1/4" NPT SST                            | 2           |
| 2               | 100535          | BUSHING, REDUCING, 1-1/4" NPT X 1" NPT SST     | 2           |
| 3               | 100694          | NIPPLE, 1" NPT X CLOSE SST                     | 1           |
| 4               | 100740          | BOLT HEX HEAD, 5/16-18 X 1" SST                | 4           |
| 5               | 102376          | WASHER, FLAT 5/16" SST                         | 4           |
| 6               | 106013          | WASHER, LOCK, 5/16" SPLIT SST                  | 4           |
| 7               | 108345          | GASKET, 3" X 3" X 1/8" 2" HOLE                 | 1           |
| 8               | 111971          | NIPPLE, 1-1/4" NPT X CLOSE, SST                | 1           |
| 9               | 115205          | NIPPLE, TOE, 1-1/4"NPT X 4" LG. SST            | 1           |
| 10              | 116431          | NIPPLE, TOE, 1" NPT X 2" LG. SST               | 1           |
| 11              | 117014          | VALVE BALL, 1" NPT, BRASS 110-230V ELECTRIC NC | 1           |
| 12              | 207802          | DRAIN, FLANGE, 1" MNPT, CAST SST               | 1           |

# Wash Tank Drain Assembly with Prewash

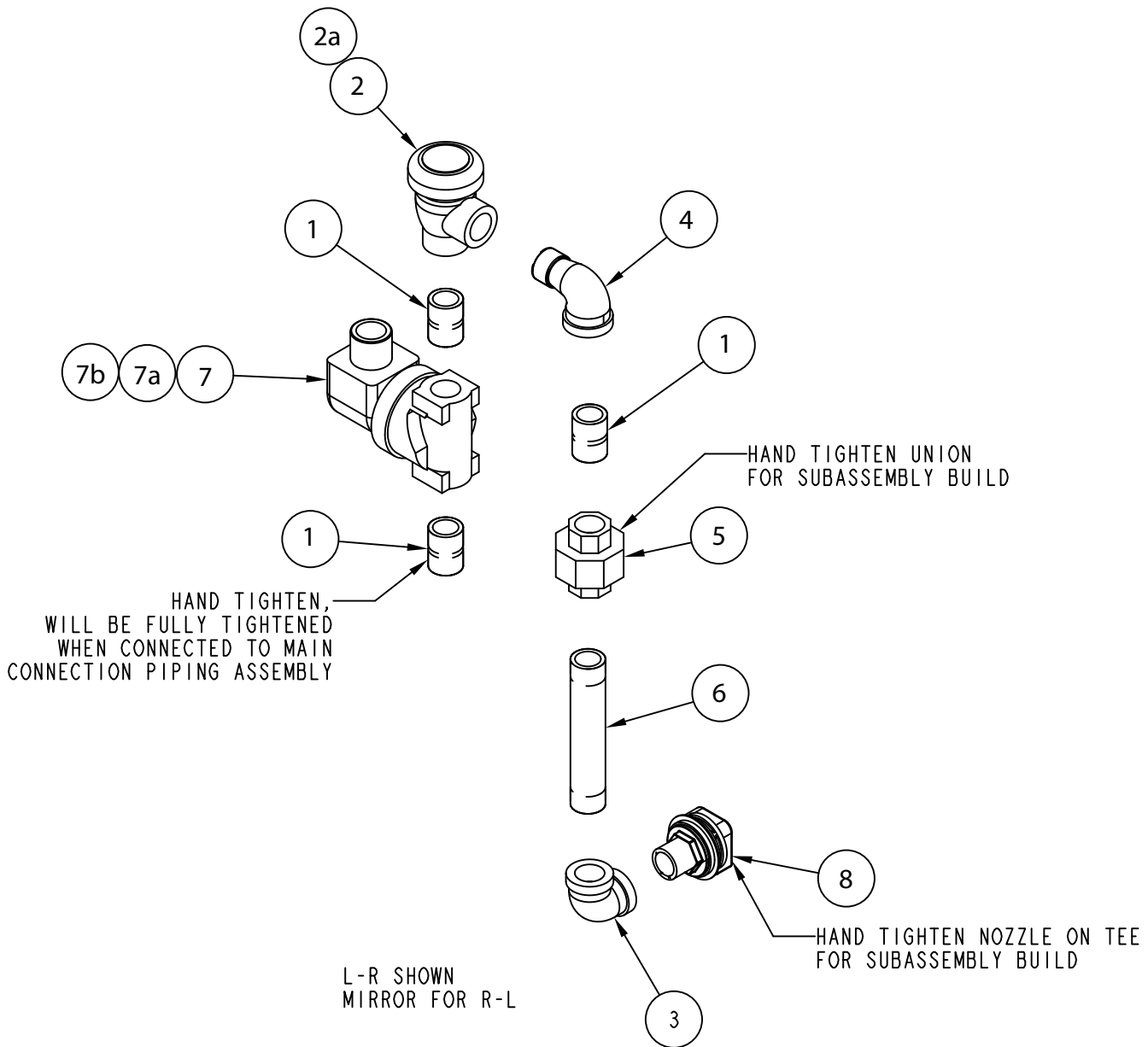




Wash Tank Drain Assembly with Prewash

| Item No. | Part No. | Description                                    | Qty. |
|----------|----------|--|------|
| 1        | 100510   | TEE, 1-1/4" NPT SST                            | 1    |
| 2        | 100535   | BUSHING, REDUCING, 1-1/4" NPT X 1" NPT SST     | 1    |
| 3        | 100694   | NIPPLE, 1" NPT X CLOSE SST                     | 1    |
| 4        | 100740   | BOLT HEX HEAD, 5/16-18 X 1" SST                | 4    |
| 5        | 102376   | WASHER, FLAT 5/16" SST                         | 4    |
| 6        | 106013   | WASHER, LOCK, 5/16" SPLIT SST                  | 4    |
| 7        | 108345   | GASKET, 3" X 3" X 1/8" 2" HOLE                 | 1    |
| 8        | 115205   | NIPPLE, TOE, 1-1/4" NPT X 4" LG. SST           | 2    |
| 9        | 117014   | VALVE, BALL 1" NPT BRASS, 110-230V ELECTRIC NC | 1    |
| 10       | 207802   | DRAIN, FLANGE, 1" MNPT, CAST SST               | 1    |

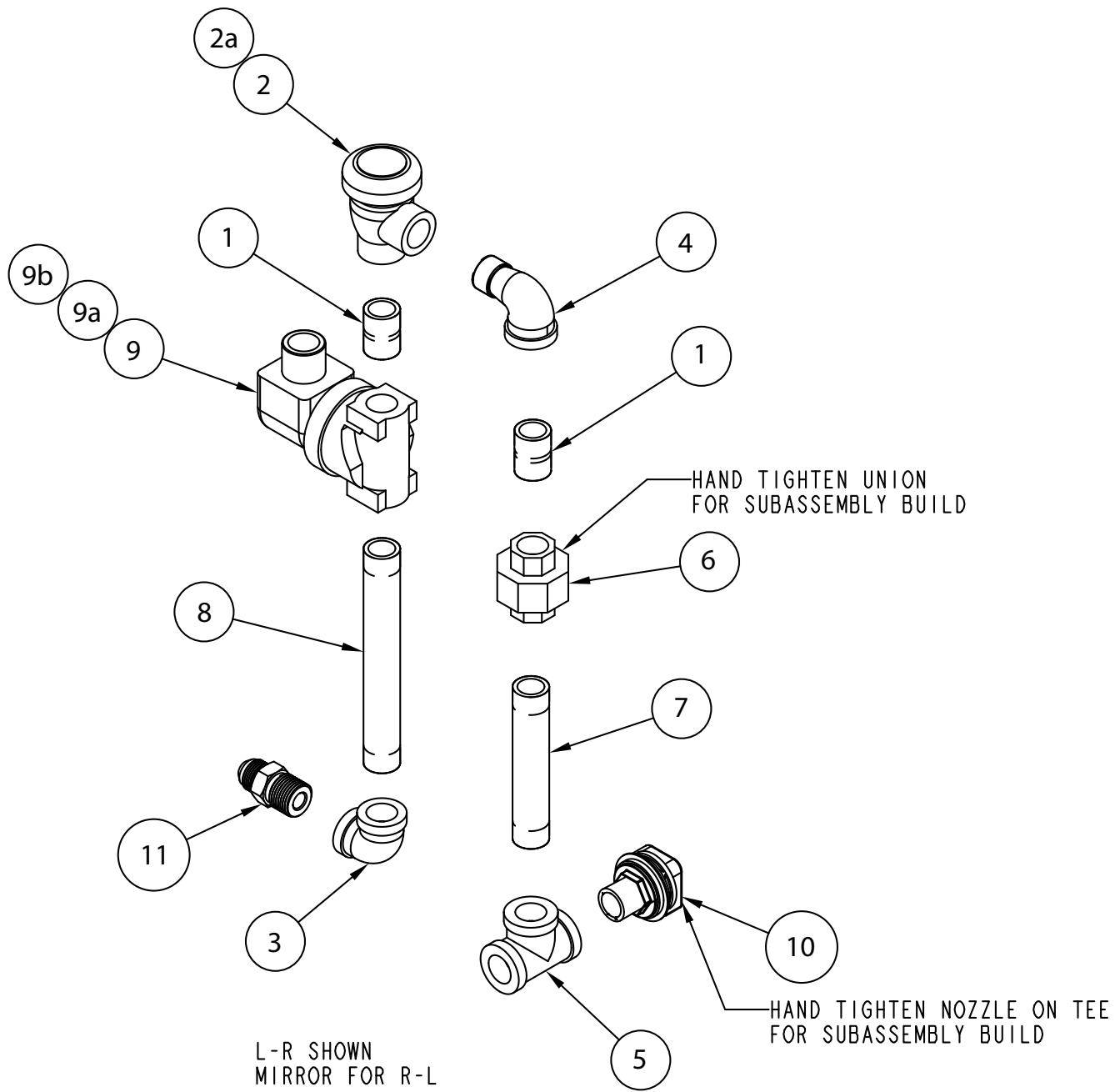
64PRO Power Rinse Fill Assembly (Prior to S/N RP20112924)



**64 PRO Power Rinse Fill Assembly (Prior to S/N RP20112924)**

| <b>Item No.</b> | <b>Part No.</b> | <b>Description</b>  | <b>Qty.</b> |
|-----------------|-----------------|---|-------------|
| 1               | 100209          | NIPPLE, 1/2" NPT X CLOSE, BRASS                           | 3           |
| 2               | 100500          | VACUUM BREAKER, 1/2" NPT BRONZE                           | 1           |
| 2a              | 900836          | KIT, REPAIR VACUUM BREAKER, 1/2"                          | A/R         |
| 3               | 102435          | ELBOW, 1/2" NPT X 90°, BRASS                              | 1           |
| 4               | 102438          | ELBOW, STREET, 1/2" NPT X 90°, BRASS                      | 1           |
| 5               | 102549          | UNION, 1/2" NPT, BRASS                                    | 1           |
| 6               | 102571          | NIPPLE, 1/2" NPT X 4-1/4" LG., BRASS                      | 1           |
| 7               | 109886          | VALVE, SOLENOID, 1/2" NPT, HW PARKER                      | 1           |
| 7a              | 109902          | KIT, REPAIR VALVE, 1/2"                                   | A/R         |
| 7b              | 108516          | COIL, SOLENOID VALVE 120VAC                               | A/R         |
| 8               | 111325          | NOZZLE, FLUSH-N POLISHED CHROME                           | 1           |
| ---             | 602475-LR       | FILL PIPING ASSY., POWER RINSE, L-R, (Includes Items 1-8) |             |
| ---             | 602475-RL       | FILL PIPING ASSY., POWER RINSE, R-L, (Includes Items 1-8) |             |

64 PRO Wash Fill Assembly (Prior to S/N RP20112924)

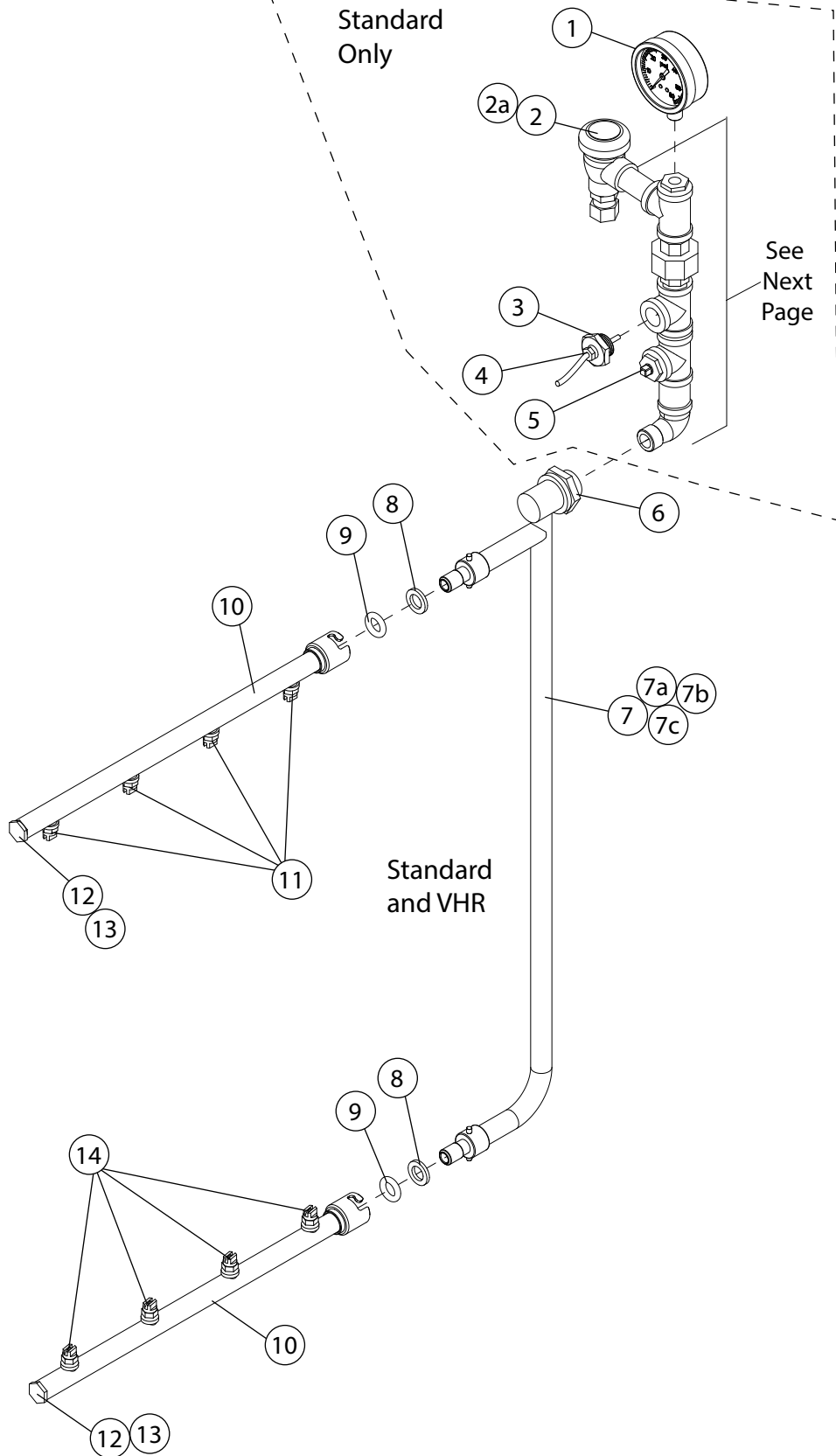


Wash Fill Assembly (Prior to S/N RP20112924)

| Item No. | Part No.  | Description  | Qty. |
|----------|-----------|--|------|
| 1        | 100209    | NIPPLE, 1/2" NPT X CLOSE, BRASS                      | 2    |
| 2        | 100500    | VACUUM BREAKER, 1/2" NPT BRONZE                      | 1    |
| 2a       | 900836    | KIT, REPAIR VACUUM BREAKER, 1/2"                     | A/R  |
| 3        | 102435    | ELBOW, 1/2" NPT X 90°, BRASS                         | 1    |
| 4        | 102438    | ELBOW, STREET, 1/2" NPT X 90°, BRASS                 | 1    |
| 5        | 102514    | TEE, 1/2" NPT, BRASS                                 | 1    |
| 6        | 102549    | UNION, 1/2" NPT BRASS                                | 1    |
| 7        | 102571    | NIPPLE, 1/2" NPT X 4-1/4" LG., BRASS                 | 1    |
| 8        | 102578    | NIPPLE, 1/2" NPT X 6" LG., BRASS                     | 1    |
| 9        | 109886    | VALVE, SOLENOID, 1/2" NPT, HW PARKER                 | 1    |
| 9a       | 109902    | KIT, REPAIR VALVE, 1/2"                              | A/R  |
| 9b       | 108516    | COIL, SOLENOID VALVE 120VAC                          | A/R  |
| 10       | 111325    | NOZZLE, FLUSH-N POLISHED CHROME                      | 1    |
| 11       | 115101    | CONNECTOR, MALE, 1/2" NPT X 1/2" 37D FLARE JIC BRASS | 1    |
| ---      | 602474-LR | FILL PIPING ASSY., WASH, L-R (Includes Items 1-11)   |      |
| ---      | 602474-RL | FILL PIPING ASSY., WASH, R-L (Includes Items 1-11)   |      |

# L-R Final Rinse Assembly (All S/Ns)

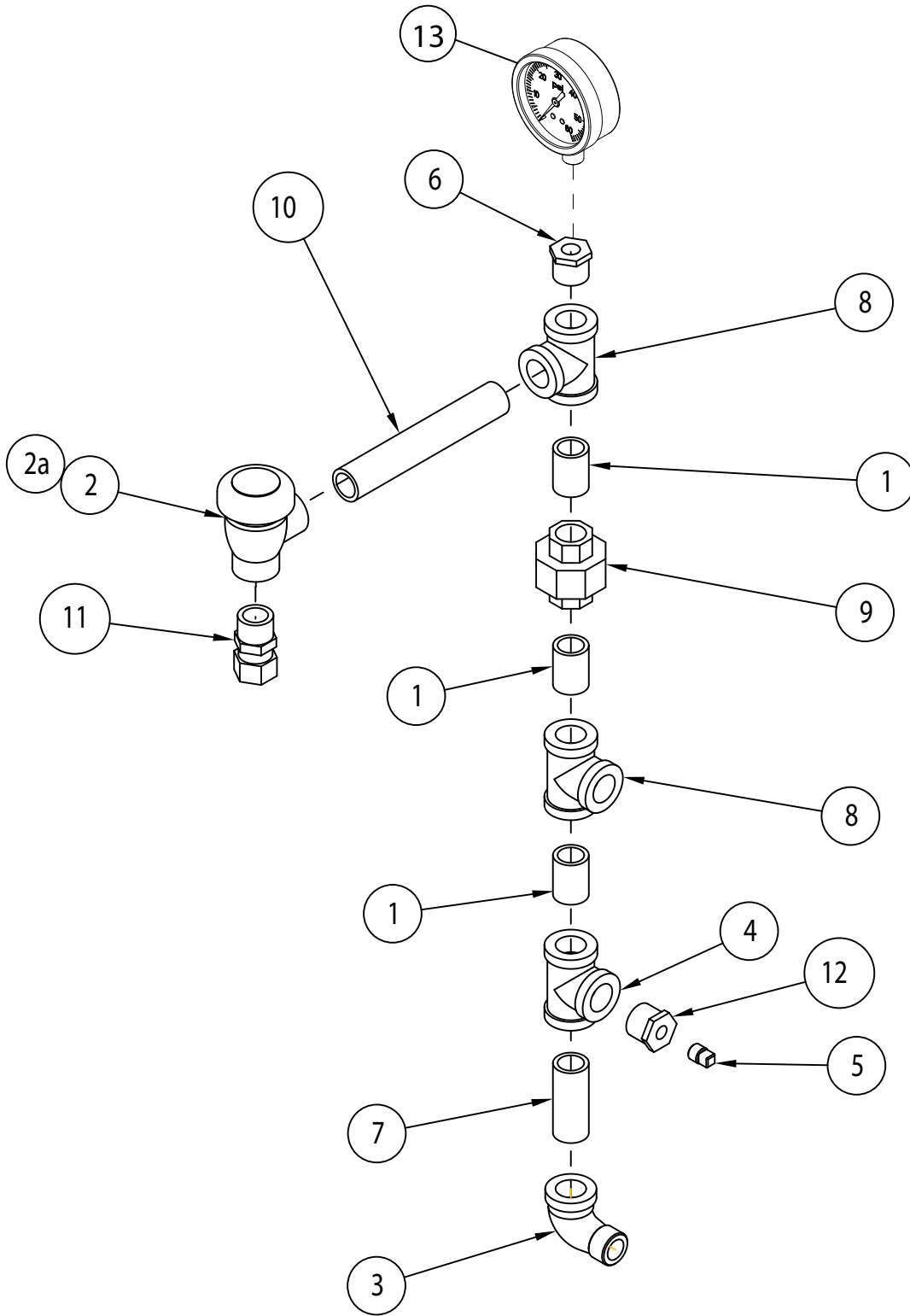
Parts breakdown on next page



See Next Page

| Item No. | Part No. | Description                         | Qty. |
|----------|----------|-------------------------------------|------|
| 1        | 100135   | GAUGE, PRESSURE, 0-60 PSI           | 1    |
| 2        | 100500   | BREAKER, VACUUM 1/2" NPT BRONZE     | 1    |
| 2a       | 900836   | KIT, REPAIR, VACUUM BREAKER 1/2"    | A/R  |
| 3        | 0512299  | ADAPTER                             | 1    |
| 4        | 114435   | THERMISTOR, 10K $\Omega$ , 36" LEAD | 1    |
| 5        | 101259   | PLUG, 1/8" NPT, SQ. HEAD, BRASS     | 1    |
| 6        | 100156   | LOCKNUT, 3/4" NPT BRASS             | 1    |
| 7        | 338340   | MANIFOLD, STANDARD FINAL RINSE, LR  | 1    |
| 7a       | 338341   | MANIFOLD, STANDARD FINAL RINSE, RL  | 1    |
| 7b       | 338342   | MANIFOLD, HIGH HOOD FINAL RINSE, LR | 1    |
| 7c       | 338343   | MANIFOLD, HIGH HOOD FINAL RINSE, RL | 1    |
| 8        | 114291   | WASHER, SILICONE                    | 2    |
| 9        | 114290   | O-RING                              | 2    |
| 10       | 337056   | ARM, FINAL RINSE                    | 2    |
| 11       | 111938   | NOZZLE, FINAL RINSE 8004            | 4    |
| 12       | 113795   | PLUG, RINSE ARM                     | 2    |
| 13       | 113716   | O-RING                              | 2    |
| 14       | 114181   | NOZZLE, FINAL RINSE 8002            | 4    |

64 PRO L-R Final Rinse Piping Assembly (Prior to S/N RP20112924)

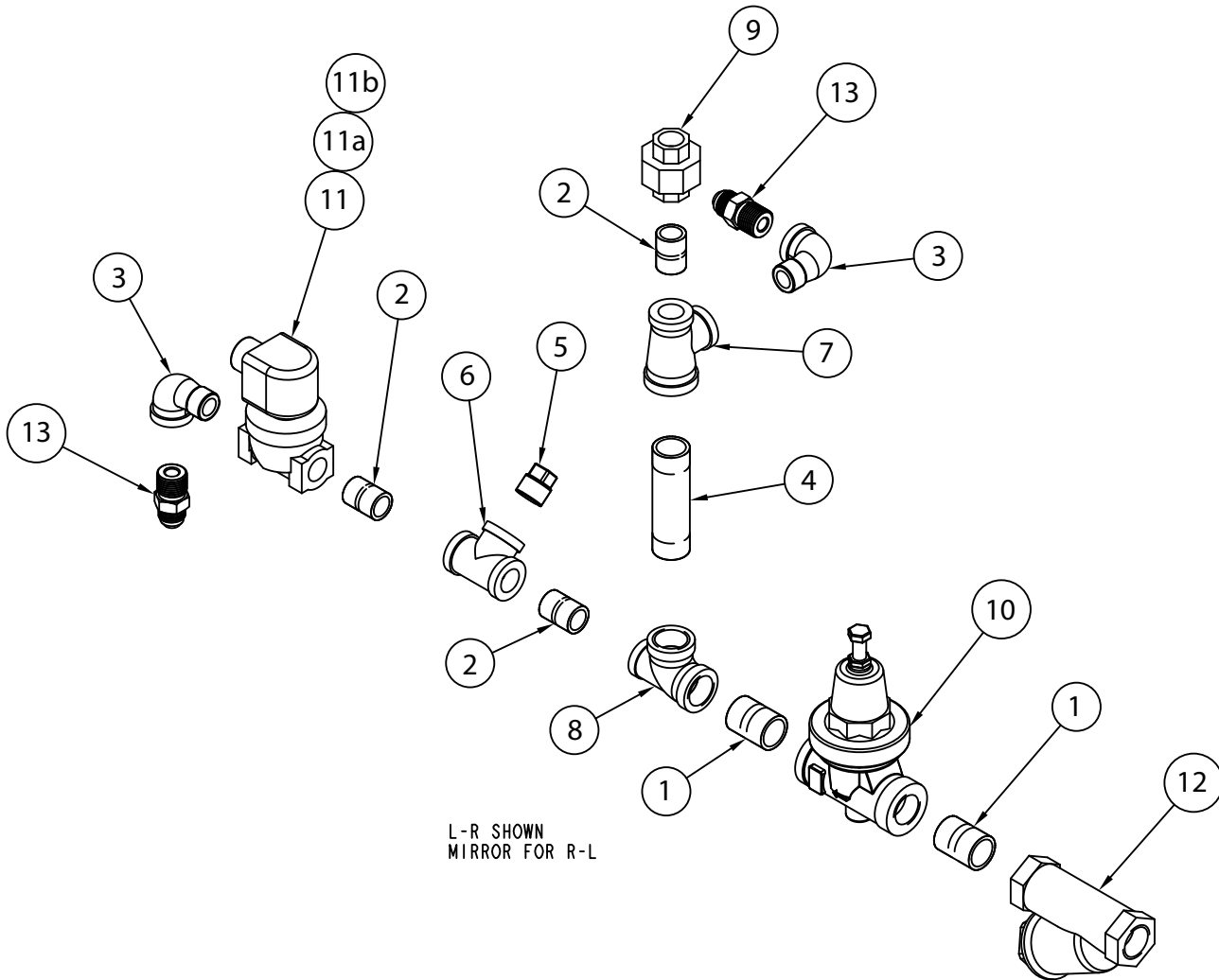




64 PRO L-R Final Rinse Piping Assembly (Prior to S/N RP20112924)

| Item No. | Part No.  | Description  | Qty. |
|----------|-----------|--|------|
| 1        | 100209    | NIPPLE, 1/2" NPT X CLOSE, BRASS                          | 3    |
| 2        | 100500    | BREAKER, VACUUM 1/2" NPT BRONZE                          | 1    |
| 2a       | 900836    | KIT, VACUUM BREAKER 1/2"                                 | A/R  |
| 3        | 100516    | ELBOW, STREET, 1/2" NPT X 90° SST                        | 1    |
| 4        | 100554    | TEE, 1/2" NPT SST  | 1    |
| 5        | 101259    | PLUG, 1/8" NPT SQ. HEAD BRASS                            | 1    |
| 6        | 102388    | BUSHING, REDUCING 1/2" NPT X 1/4" NPT BRASS              | 1    |
| 7        | 102461    | NIPPLE, 1/2" NPT X 2" LG. SST                            | 1    |
| 8        | 102514    | TEE, 1/2" NPT BRASS                                      | 2    |
| 9        | 102549    | UNION, 1/2" NPT BRASS                                    | 1    |
| 10       | 102574    | NIPPLE, 1/2" NPT X 5" LG. BRASS                          | 1    |
| 11       | 109925    | FITTING, COMPRESSION 5/8" OD X 1/2" MPT BRASS            | 1    |
| 12       | 114717    | BUSHING, REDUCING 1/2" NPT X 1/8" NPT SST                | 1    |
| 13       | 100135    | GAUGE, PRESSURE, 0-60 PSI                                | 1    |
| ---      | 602435-LR | PIPING ASSY., FINAL RINSE, PRO L-R (Includes Items 1-13) | 1    |
| ---      | 602435-RL | PIPING ASSY., FINAL RINSE, PRO R-L (Includes Items 1-13) | 1    |

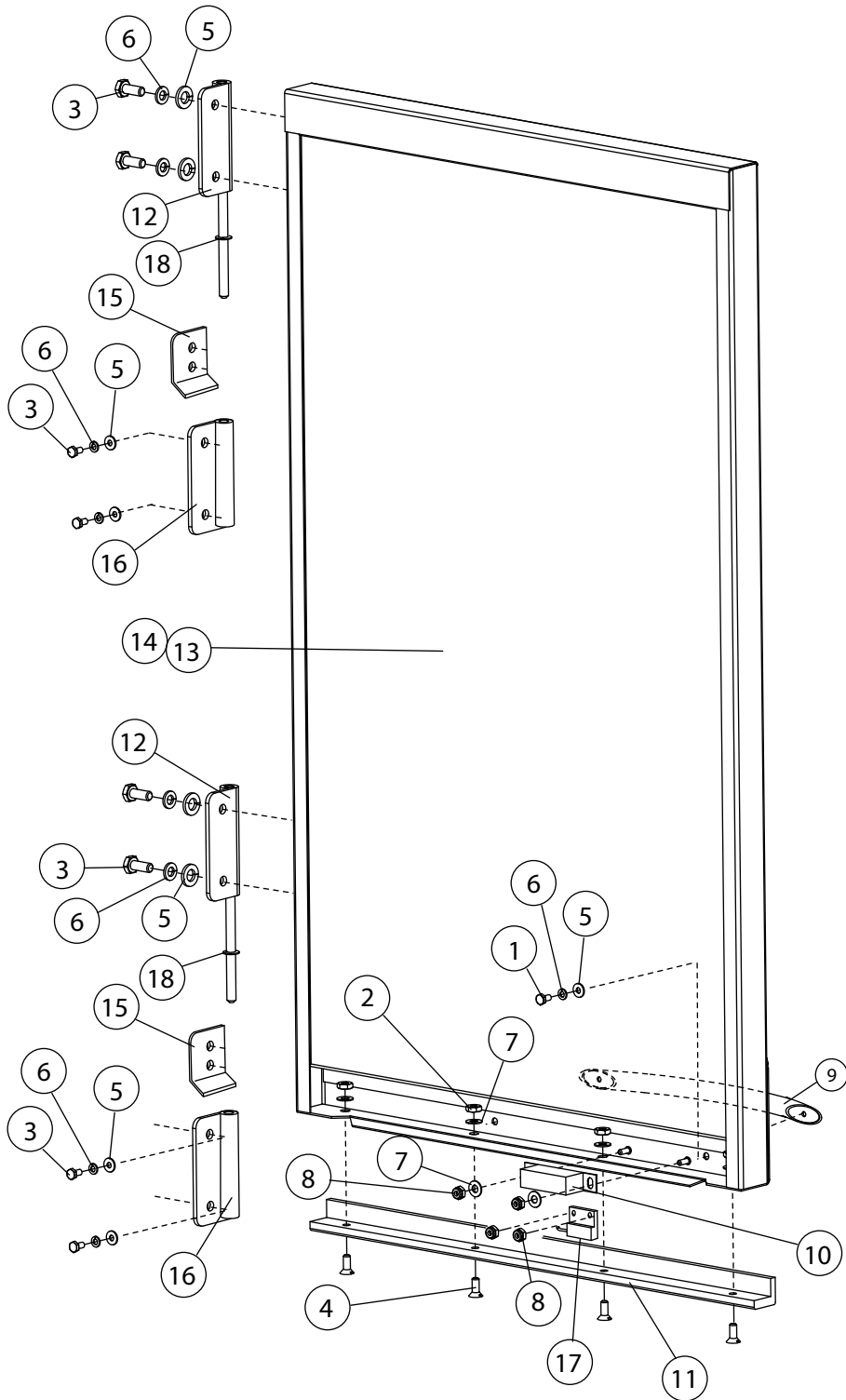
64 PRO L-R Main Connect Piping Assembly (Prior to S/N RP20112924)



**64PRO L-R Main Connect Piping Assembly (Prior to S/N RP20112924)**

| <b>Item No.</b> | <b>Part No.</b> | <b>Description</b>                                    | <b>Qty.</b> |
|-----------------|-----------------|---|-------------|
| 1               | 100184          | NIPPLE, 3/4" NPT X CLOSE, BRASS                       | 2           |
| 2               | 100209          | NIPPLE, 1/2" NPT X CLOSE, BRASS                       | 3           |
| 3               | 102438          | ELBOW, STREET , 1/2" NPT 90° BRASS                    | 2           |
| 4               | 102490          | NIPPLE, 3/4" NPT X 3-1/2" LG., BRASS                  | 1           |
| 5               | 102504          | PLUG, 1/2" NPT SQ. HEAD, BRASS                        | 1           |
| 6               | 102514          | TEE, 1/2" NPT, BRASS                                  | 1           |
| 7               | 102524          | TEE, RED, 3/4" NPT X 1/2" NPT X 1/2" NPT, BRASS       | 1           |
| 8               | 102525          | TEE, RED, 3/4" NPT X 1/2" NPT X 3/4" NPT BRASS        | 1           |
| 9               | 102549          | UNION, 1/2" NPT BRASS                                 | 1           |
| 10              | 107550          | VALVE, PRESSURE REDUCING, 3/4" NPT BRONZE             | 1           |
| 11              | 109886          | VALVE, SOLENOID, 1/2" NPT, HW, PARKER                 | 1           |
| 11a             | 109902          | KIT, REPAIR VALVE, 1/2"                               | A/R         |
| 11b             | 108516          | COIL, SOLENOID VALVE 120VAC                           | A/R         |
| 12              | 110768          | STRAINER, LINE, 3/4" NPT BRASS                        | 1           |
| 13              | 115101          | CONNECTOR, MALE, 1/2" NPT X 1/2" 37D FLARE JIC BRASS  | 2           |
| ---             | 602461-LR       | MAIN CONNECT PIPING ASSY., L-R, (Includes Items 1-13) |             |
| ---             | 602461-RL       | MAIN CONNECT PIPING ASSY., R-L, (Includes Items 1-13) |             |

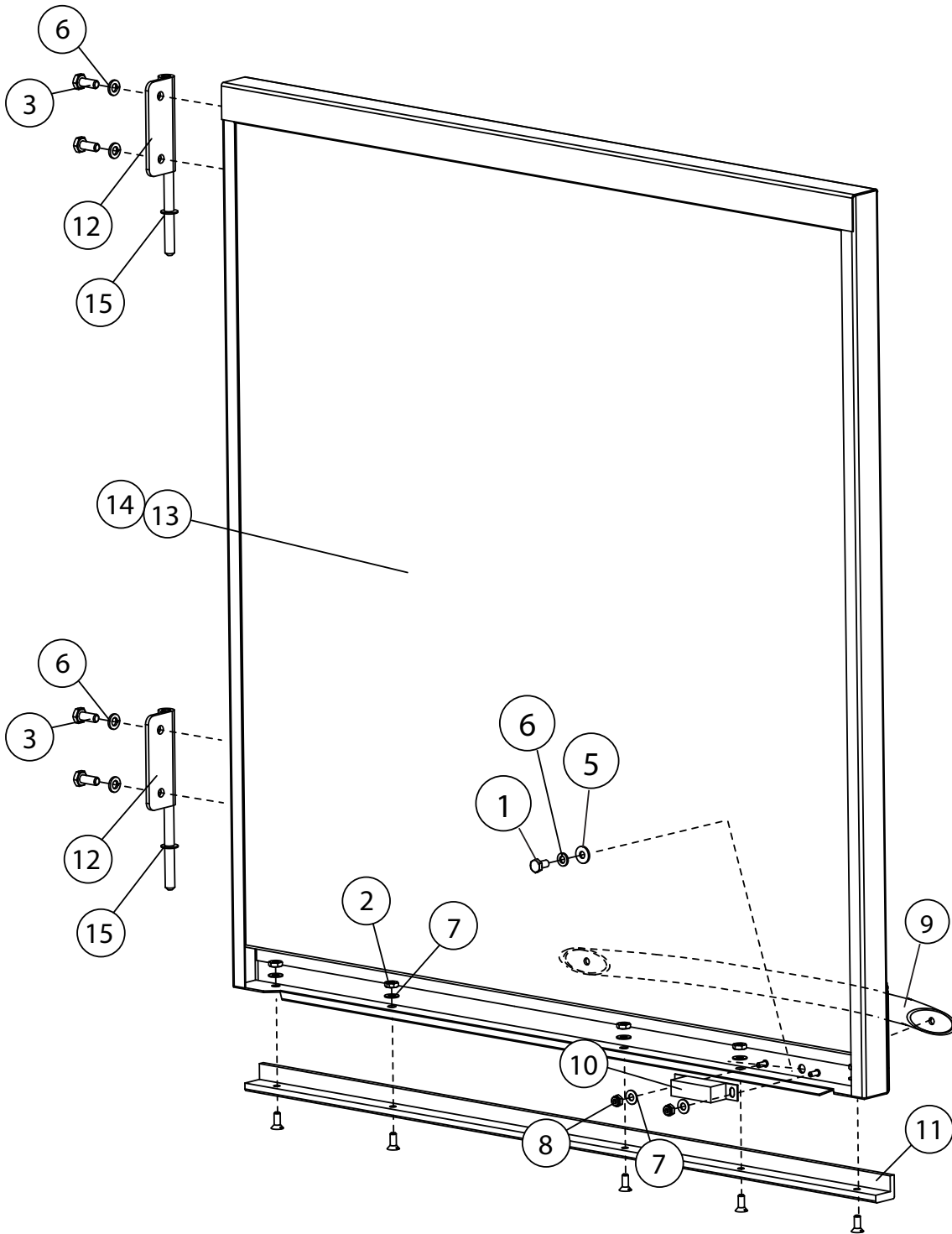
# 22" Prewash Door Assembly



22" Prewash Door Assembly

| Item No. | Part No. | Description                          | Qty. |
|----------|----------|--------------------------------------|------|
| 1        | 100734   | BOLT, HEX HEAD, 1/4-20 X 1/2" SST    | 2    |
| 2        | 100194   | NUT, HEX GRIP 10-32 SST              | 4    |
| 3        | 100734   | BOLT, HEX HEAD 1/4-20 X 1/2" SST     | 4    |
| 4        | 100754   | SCREW, FLAT HEAD 10-32 X 1/2" SST    | 4    |
| 5        | 106026   | WASHER, FLAT 1/4" SST                | 2    |
| 6        | 106482   | WASHER, LOCK 1/4" SPLIT SST          | 6    |
| 7        | 107033   | WASHER, FLAT SST                     | 6    |
| 8        | 108954   | NUT, GRIP 6-32 SST W/NYLON INSERT    | 2    |
| 9        | 115665   | HANDLE, DOOR                         | 1    |
| 10       | 113937   | MAGNET, REED SWITCH                  | 1    |
| 11       | 116175   | STRIP, WEAR BOTTOM DOOR, E22 PREWASH | 1    |
| 12       | 335152   | HINGE, DOOR WELDMENT, RH             | 2    |
| 13       | 337199   | DOOR, 22" HINGED STANDARD HOOD       | 1    |
| 14       | 338042   | DOOR, 22", HINGED HIGH HOOD          | 1    |
| 15       | 335977   | STOP, HINGED DOOR REMOVAL            | 2    |
| 16       | 335154   | HINGE, DOOR HOOD                     | 2    |
| 17       | 113721   | SWITCH, REED, DOOR SAFETY            | 1    |
| 18       | 116230   | WASHER, FLAT                         | 2    |

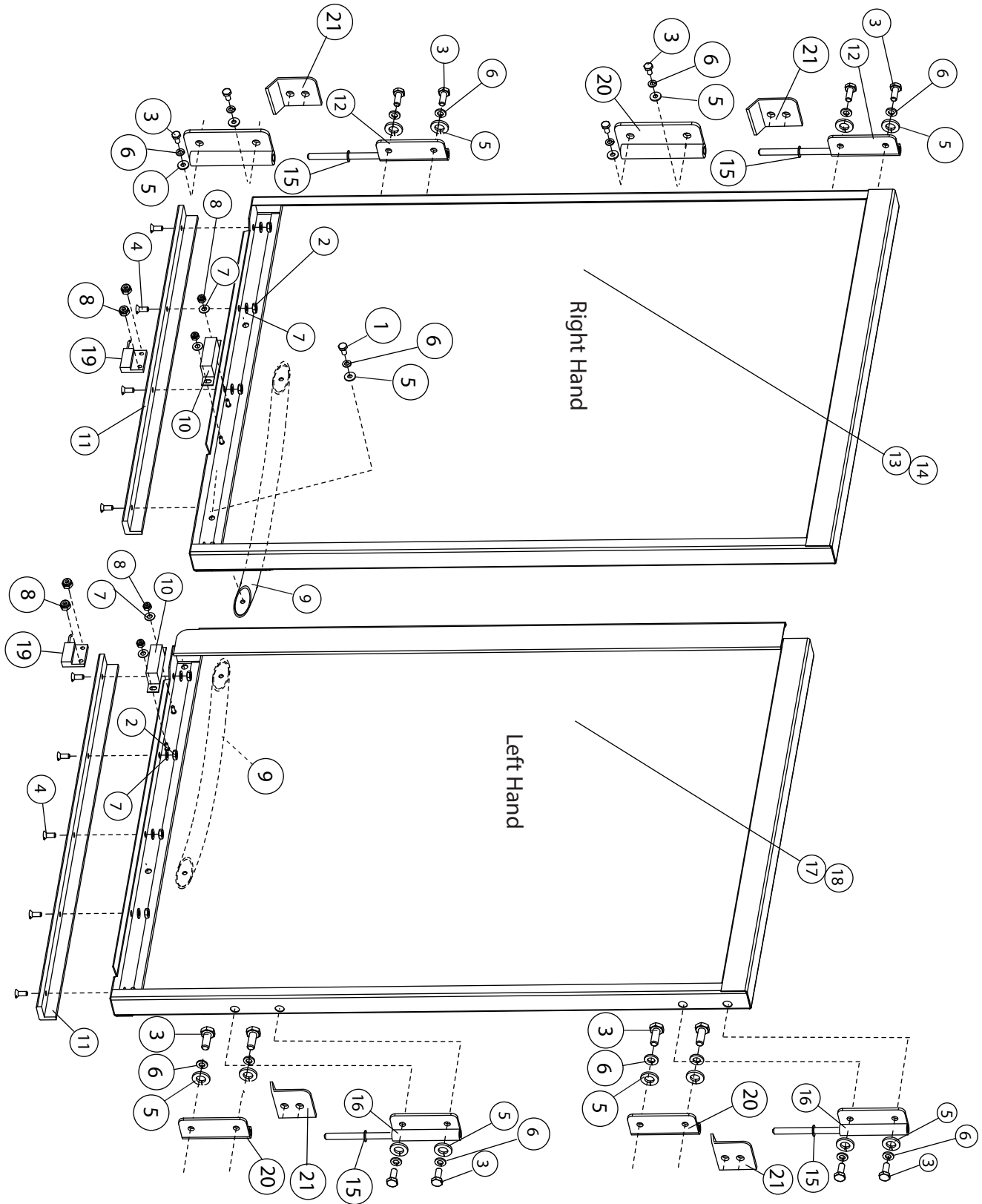
# 36" Prewash Door Assembly



## 36" Prewash Door Assembly

| Item No. | Part No. | Description                           | Qty. |
|----------|----------|---------------------------------------|------|
| 1        | 100734   | SCREW, TRUSS HEAD, 1/4-20 X 1/2" SST  | 6    |
| 2        | 100194   | NUT, HEX GRIP 10-32 SST               | 12   |
| 3        | 100735   | BOLT, HEX HEAD 1/4-20 X 5/8" SST      | 8    |
| 4        | 100754   | SCREW, FLAT HEAD 10-32 X 1/2" SST     | 12   |
| 5        | 106026   | WASHER, FLAT 1/4" SST                 | 6    |
| 6        | 106482   | WASHER, LOCK 1/4" SPLIT SST           | 6    |
| 7        | 107033   | WASHER, FLAT 0.208" SST               | 7    |
| 8        | 108954   | NUT, HEX GRIP 6-32 SST W/NYLON INSERT | 2    |
| 9        | 115665   | HANDLE, DOOR                          | 1    |
| 10       | 113937   | MAGNET, REED SWITCH                   | 1    |
| 11       | 116177   | STRIP, WEAR BOTTOM DOOR               | 1    |
| 12       | 335152   | HINGE, DOOR                           | 2    |
| 13       | 337865   | DOOR, 36", RH, STANDARD HOOD          | 1    |
| 14       | 339642   | DOOR 36", RH HIGH-HOOD                | 1    |
| 15       | 116230   | WASHER, FLAT UHMW                     | 2    |

# Wash Tank/Power Rinse Tank Door Assembly

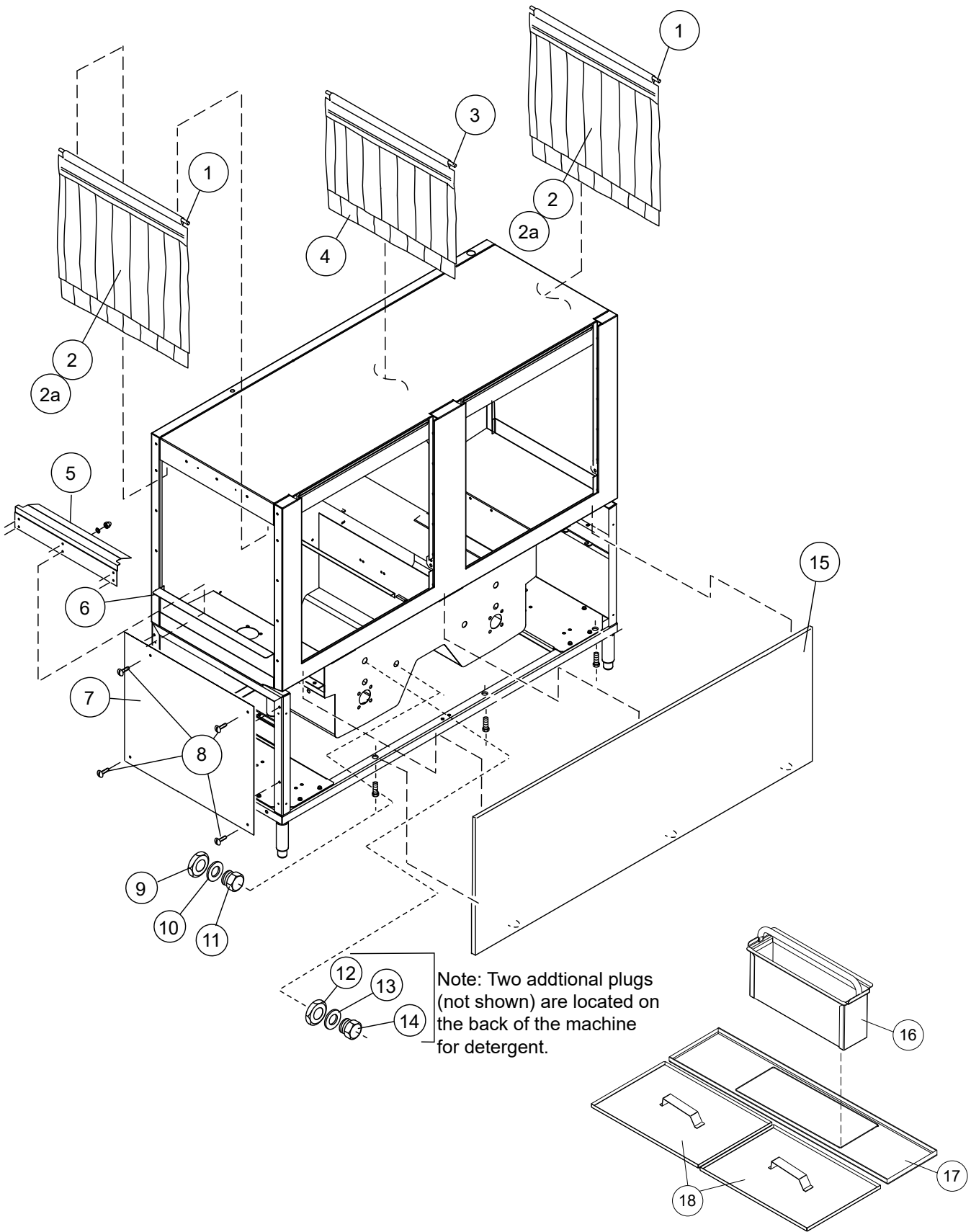




Wash Tank/Power Rinse Tank Door Assembly

| Item No. | Part No. | Description                       | Qty. |
|----------|----------|-----------------------------------|------|
| 1        | 100734   | BOLT, HEX HEAD, 1/4-20 X 1/2" SST | 4    |
| 2        | 100194   | NUT, GRIP 10-32 SST               | 9    |
| 3        | 100735   | BOLT, HEX HEAD 1/4-20 X 5/8" SST  | 8    |
| 4        | 100754   | SCREW, FLAT HEAD 10-32 X 1/2" SST | 9    |
| 5        | 106026   | WASHER, FLAT 1/4" SST             | 19   |
| 6        | 106482   | WASHER, LOCK 1/4" SPLIT SST       | 19   |
| 7        | 107033   | WASHER, FLAT SST                  | 13   |
| 8        | 108954   | NUT, GRIP 6-32 SST W/NYLON INSERT | 8    |
| 9        | 115665   | HANDLE, DOOR                      | 2    |
| 10       | 113937   | MAGNET, REED SWITCH               | 2    |
| 11       | 116177   | STRIP, WEAR BOTTOM DOOR           | 2    |
| 12       | 335152   | HINGE, RH DOOR WELDMENT           | 2    |
| 13       | 337865   | DOOR, RH STANDARD HOOD            | 1    |
| 14       | 339642   | DOOR, RH HIGH HOOD                | 1    |
| 15       | 116230   | WASHER, UHMW                      | 4    |
| 16       | 335151   | HINGE, LH DOOR WELDMENT           | 2    |
| 17       | 338280   | DOOR, LH HINGED, STANDARD HOOD    | 1    |
| 18       | 339641   | DOOR, LH HINGED, HIGH HOOD        | 1    |
| 19       | 113721   | SWITCH, REED DOOR SAFETY          | 1    |
| 20       | 335154   | HINGE, HOOD SIDE                  | 4    |
| 21       | 335977   | STOP, HINGED DOOR REMOVAL         | 4    |

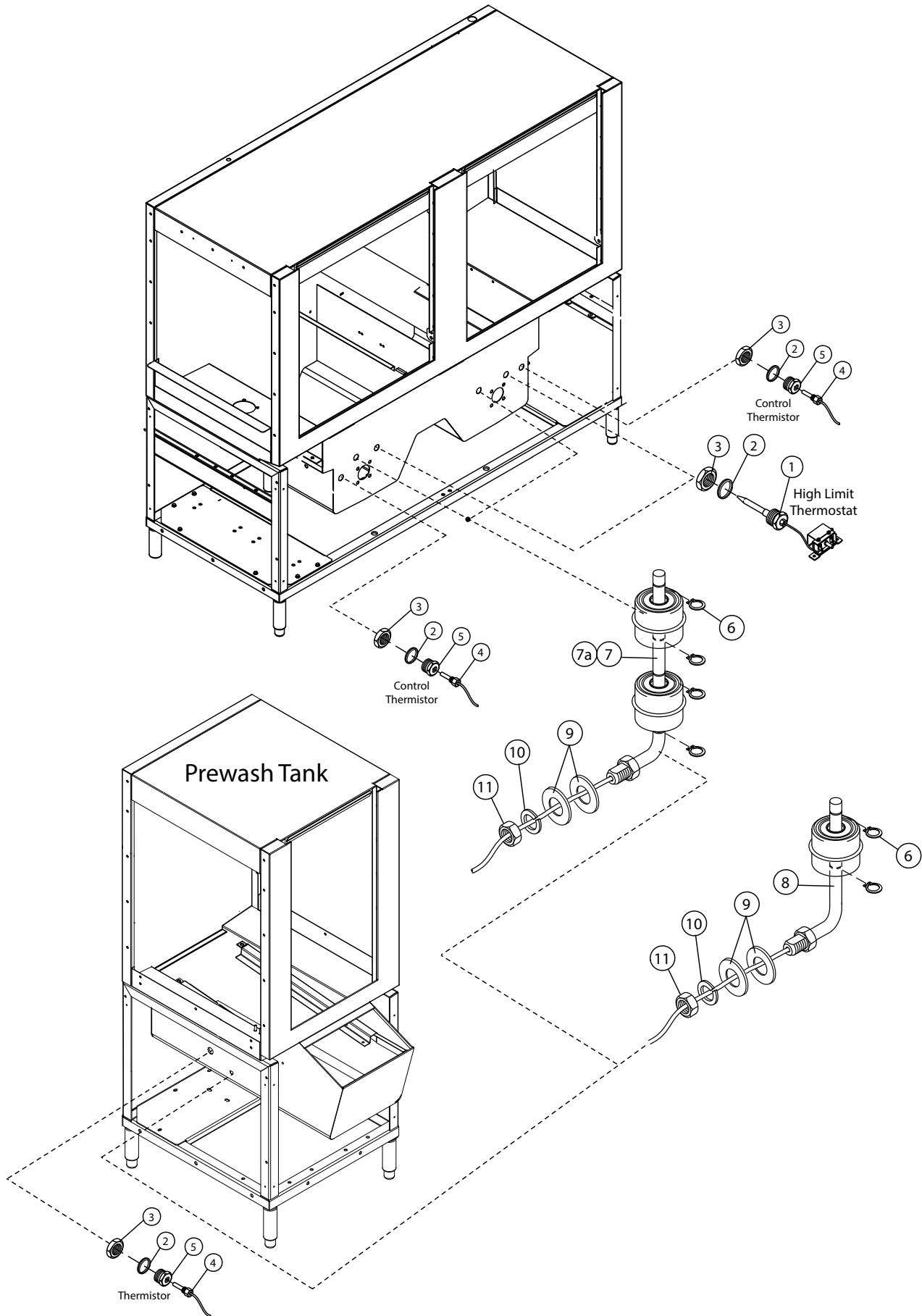
# Wash Tank Panels, Curtains, and Screens



Wash Tank Panels, Curtains, and Screens

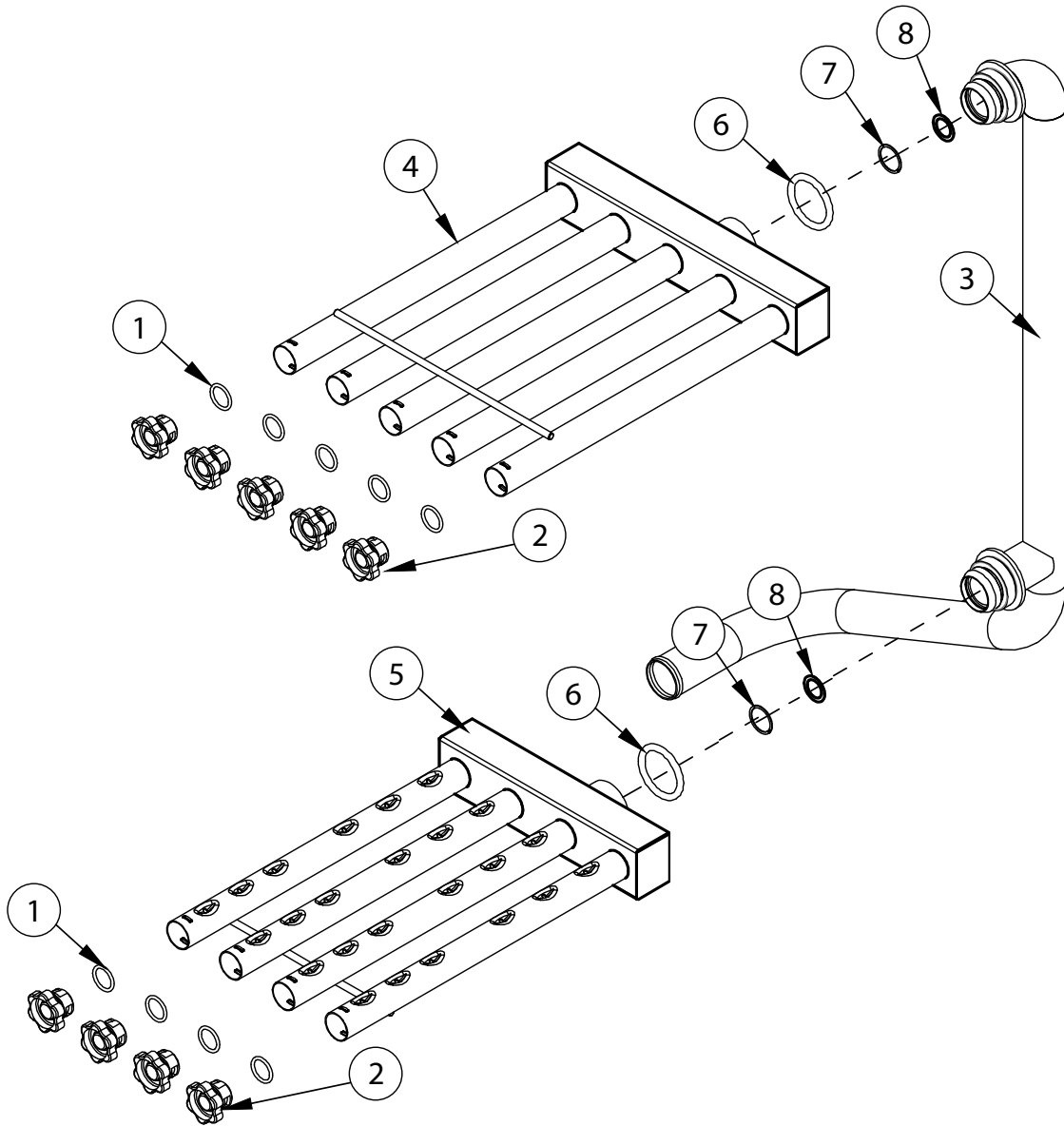
| Item No. | Part No. | Description                                  | Qty. |
|----------|----------|--|------|
| 1        | 108250   | ROD,CURTAIN, 5/16" X 24-5/8"                 | 2    |
| 2        | 113720   | CURTAIN, 24" X 20-1/4" STANDARD HOOD         | 2    |
| 2a       | 114026   | CURTAIN, 24" X 24-1/4" HIGH HOOD             | 2    |
| 3        | 114012   | ROD, CURTAIN, 5/16" X 23.63"                 | 1    |
| 4        | 108043   | CURTAIN, 24" X 13-1/4", STANDARD & HIGH HOOD | 1    |
| 5        | 329927   | BAFFLE, TABLE WITH CUTOUT                    | 1    |
| 6        | 328451   | FLANGE, TABLE                                | 2    |
| 7        | 337085   | PANEL, END, 25"STANDARD                      | 1    |
| 8        | 100073   | SCREW, 1/4-20 X 1/2" TRUSS HEAD              | 4    |
| 9        | 113944   | NUT, 3/4" NPT PLASTIC                        | 4    |
| 10       | 108620   | GASKET, 3/4" PLUG                            | 4    |
| 11       | 113943   | PLUG, 3/4" NPT PLASTIC                       | 4    |
| 12       | 108417   | NUT, 1/2" NPT PLASTIC                        | 4    |
| 13       | 109034   | GASKET, 1/2" NPT PLUG, FIBER WASHER          | 4    |
| 14       | 108418   | PLUG, 1/2"NPT PLASTIC                        | 4    |
| 15       | 338350   | PANEL, FRONT PERIMETER                       | 1    |
| 16       | 338148   | BASKET, REFUSE                               | 2    |
| 17       | 338149   | FILLER, SCRAP BASKET                         | 2    |
| 18       | 339487   | SCREEN, SCRAP                                | 4    |

# Tank Floats and Thermistors



| Item No. | Part No. | Description                                  | Qty. |
|----------|----------|--|------|
| 1        | 110561   | THERMOSTAT, FIXED HIGH LIMIT, 240°F          | 2    |
| 2        | 115489   | O-RING                                       | 2    |
| 3        | 100547   | LOCKNUT, 1/2" NPT SST                        | 2    |
| 4        | 114435   | THERMISTOR, 10kΩ, 36" LEAD                   | 4    |
| 5        | 0512299  | ADAPTER                                      | 2    |
| 6        | 111151   | C-CLIP                                       | A/R  |
| 7        | 113291   | FLOAT SWITCH, DUAL, WASH & POWER RINSE TANK  | 2    |
| 7a       | 110854   | FLOAT SWITCH, PW (Prior to S/N RP21013012)   | 1    |
| 8        | 115352   | FLOAT SWITCH, PW (Begin with S/N RP21013012) | 1    |
| 9        | 104882   | WASHER, FLAT 1/2" SST                        | 6    |
| 10       | 107589   | WASHER, LOCK 1/2" SST                        | 3    |
| 11       | 104584   | NUT, PLAIN 1/2-13                            | 3    |
| ---      | 110750   | GASKET, FLOAT SWITCH (NOT SHOWN)             | 3    |

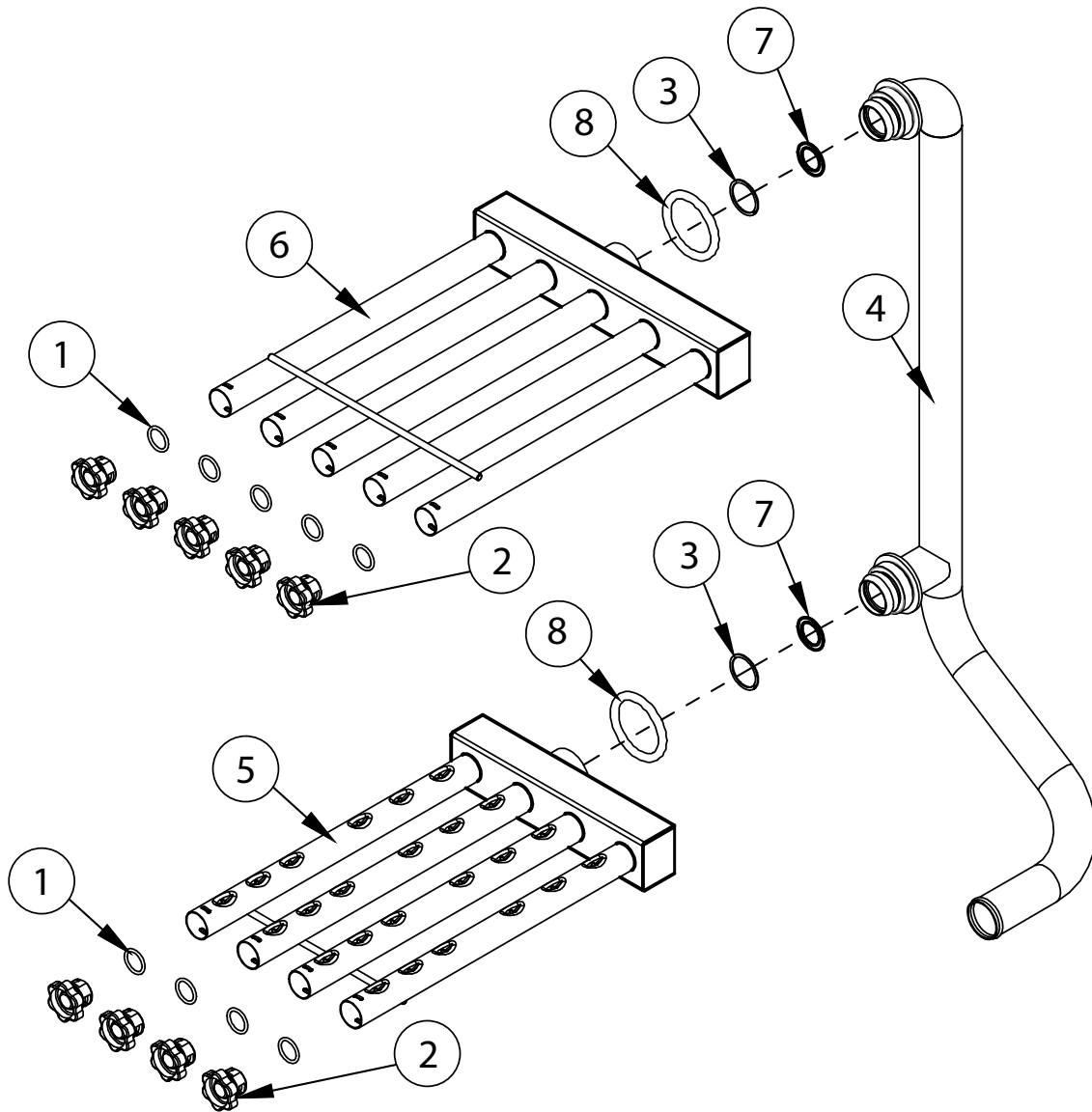
# Left-hand Wash and Power Rinse Manifold Assembly



## Left-hand Wash and Power Rinse Manifold Assembly

| Item No. | Part No. | Description                             | Qty. |
|----------|----------|---|------|
| 1        | 104414   | O-RING, 1" X 1-1/4" X 1/8"              | 9    |
| 2        | 112240   | PLUG, DEBOSSSED SPRAYPIPE               | 9    |
| 3        | 339125   | STANDPIPE WELD., LH, 64PRO, STD. HT.    | 1    |
| 4        | 339130   | MANIFOLD WELD., 64PRO, UPPER, LH 5-PIPE | 1    |
| 5        | 339355   | MANIFOLD WELD., 64PRO, LOWER, LH 4-PIPE | 1    |
| 6        | 116609   | O-RING, WASH ARM                        | 2    |
| 7        | 117039   | RING, RETAINING (POWER RINSE ONLY)      | 2    |
| 8        | 339485-1 | RESTRICTOR (POWER RINSE ONLY)           | 2    |

# Right-hand Wash and Power Rinse Manifold Assembly



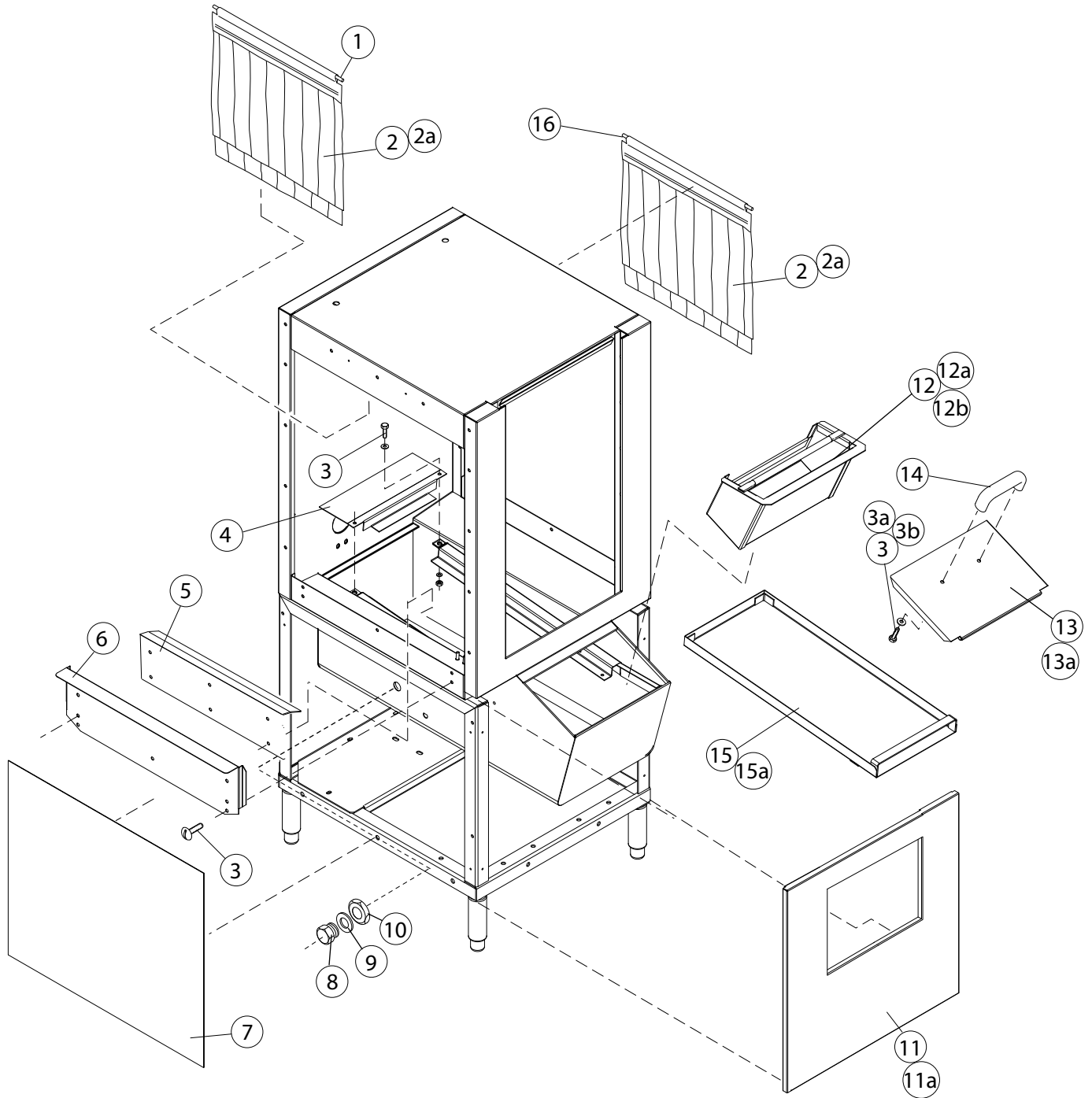


## Right-hand Wash and Power Rinse Manifold Assembly

| Item No. | Part No. | Description                             | Qty. |
|----------|----------|---|------|
| 1        | 104414   | O-RING, 1" X 1-1/4" X 1/8"              | 9    |
| 2        | 112240   | PLUG, DEBOSSSED SPRAYPIPE               | 9    |
| 3*       | 117039   | RING, RETAINING, (POWER RINSE ONLY)     | 2    |
| 4        | 339128   | STANDPIPE WELD., RH, 64PRO, STD. HT.    | 1    |
| 5        | 339131   | MANIFOLD WELD., 64PRO, LOWER, RH 4-PIPE | 1    |
| 6        | 339132   | MANIFOLD WELD., 64PRO, UPPER RH, 5-PIPE | 1    |
| 7*       | 339485-1 | RESTRICTOR, (POWER RINSE ONLY)          | 2    |
| 8        | 116609   | O-RING, WASH ARM                        | 2    |

\* RETAINING RING AND RESTRICTOR GO INTO THE POWER RINSE ONLY.

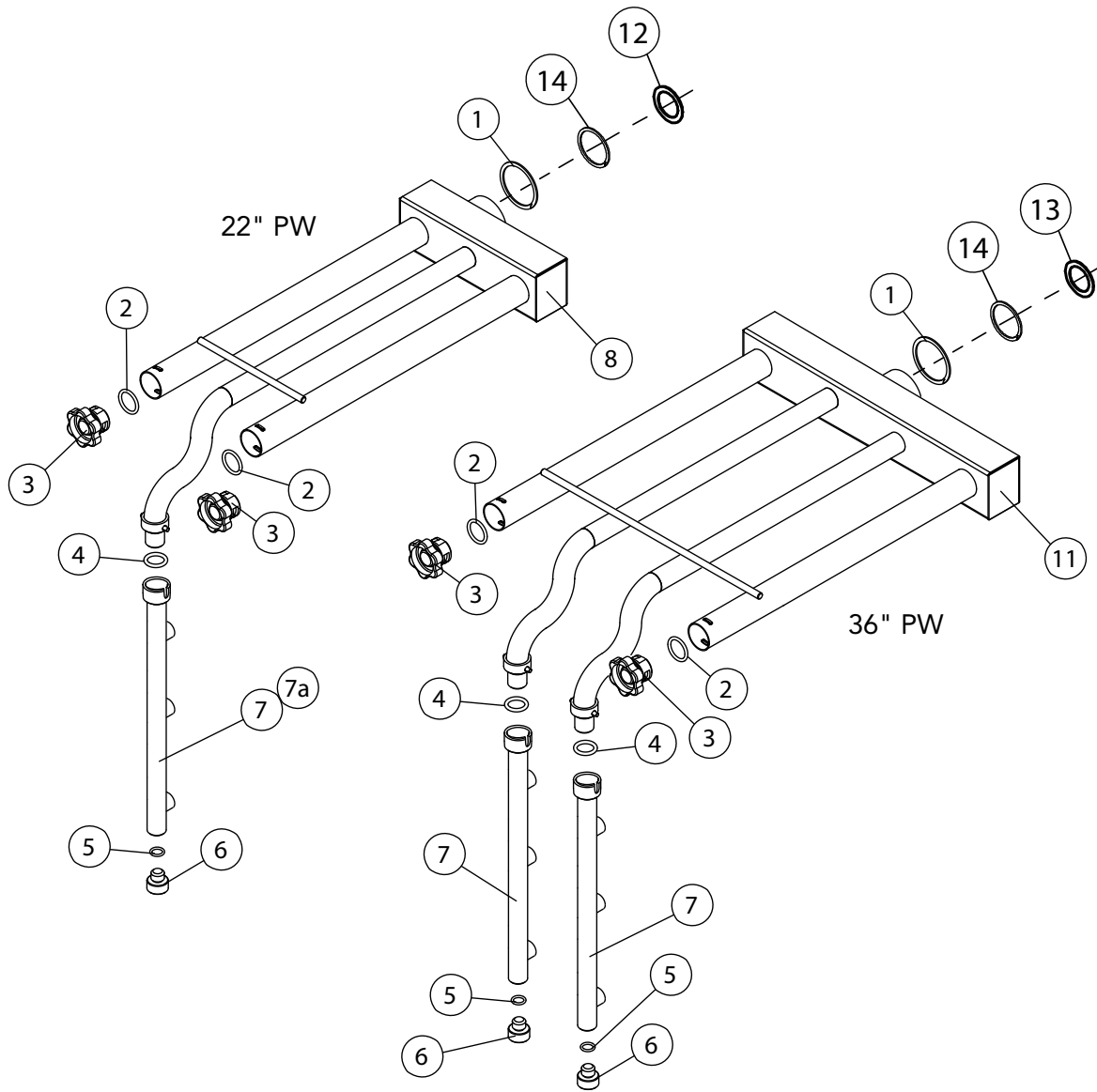
# 22" and 36" Prewash Panels, Curtains, and Screens



**22" and 36" Prewash Panels, Curtains, and Screens**

| <b>Item No.</b> | <b>Part No.</b> | <b>Description</b>  | <b>Qty.</b> |
|-----------------|-----------------|---|-------------|
| 1               | 108250          | ROD CURTAIN 5/16 X 24-5/8"  | 1           |
| 2               | 113720          | CURTAIN 24 X 20-1/4" STANDARD HOOD  | 2           |
| 2a              | 114026          | CURTAIN 24 X 24-1/4" HIGH HOOD  | 2           |
| 3               | 100735          | BOLT, 1/4-20 X 5/8" HEX HEAD  | 8           |
| 3a              | 106482          | WASHER, LOCK, 1/4" SPLIT  | 2           |
| 3b              | 106026          | WASHER, 1/4" X 5/8"   | 2           |
| 4               | 328006          | SUPPORT, 22" PW REAR SCREEN   | 1           |
| 5               | 329927          | BAFFLE, TABLE FLANGE WITH CUTOUT  | 1           |
| 6               | 328030          | TABLE FLANGE  | 1           |
| 7               | 337085          | PANEL, 25" END STANDARD   | 1           |
| 8               | 108418          | PLUG, 1/2" PLASTIC  | 2           |
| 9               | 109034          | GASKET, 1/2" FIBER WASHER   | 2           |
| 10              | 108417          | NUT, 1/2" NPT PLASTIC   | 2           |
| 11              | 337213          | PANEL ASSY. FRONT PERIMETER 22" PW  | 1           |
| 11a             | 334756          | PANEL ASSY. FRONT PERIMETER 26" PW  | 1           |
| 11b             | 337870          | PANEL ASSY. FRONT PERIMETER 36" PW  | 1           |
| 12              | 328959          | BASKET, REFUSE 22"  | 1           |
| 12a             | 329492          | BASKET, REFUSE 26"  | 1           |
| 12b             | 328967          | BASKET, REFUSE 36"  | 1           |
| 13              | 335332          | COVER, REFUSE BASKET 22" PW   | 1           |
| 13a             | 335333          | COVER, REFUSE BASKET 36" PW   | 1           |
| 14              | 108966          | HANDLE, DOOR  | 1           |
| 15              | 328958          | SCREEN, SCRAP, 22"  | 1           |
| 15a             | 328960          | SCREEN, SCRAP 36" PW  | 2           |
| 16              | 114012          | ROD, CURTAIN 5/16" X 23.63"   | 1           |
| ---             | 901090          | KIT, 22PW REFUSE BASKET COVER KIT W/HANDLE<br>(Includes Items 3, 3a, 3b, 13, 14)  | 1           |
| ---             | 901091          | KIT, 36PW REFUSE BASKET COVER KIT W/HANDLE<br>(Includes Items 3, 3a, 3b, 13a, 14) | 1           |

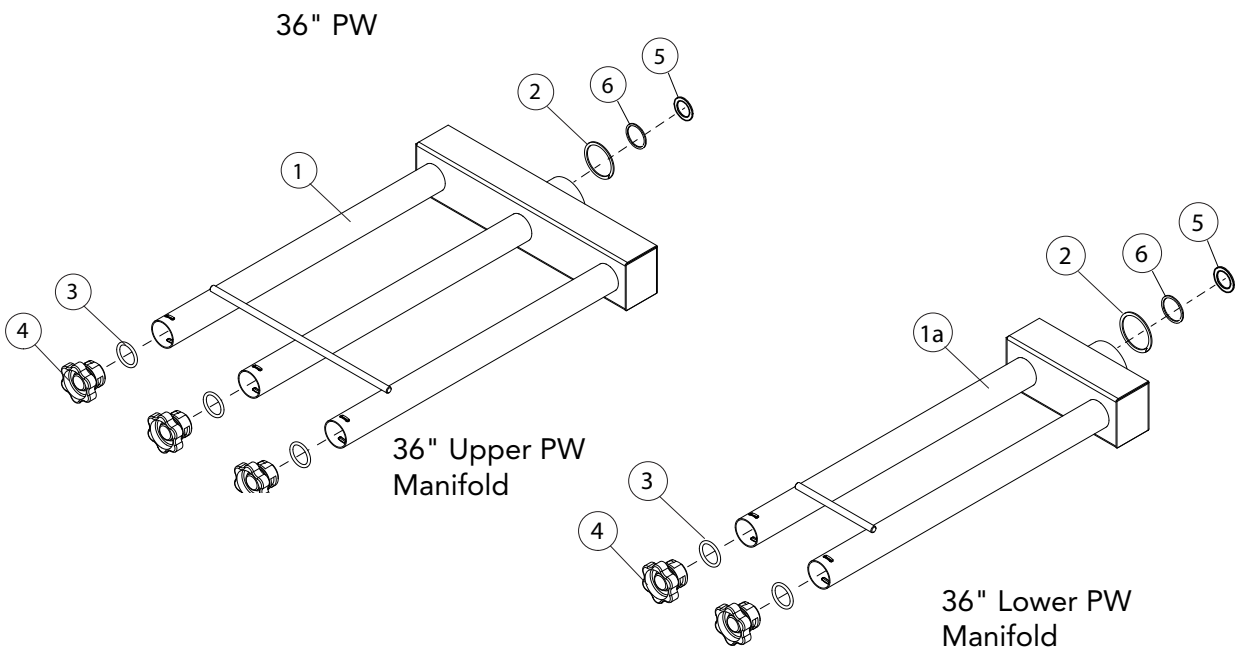
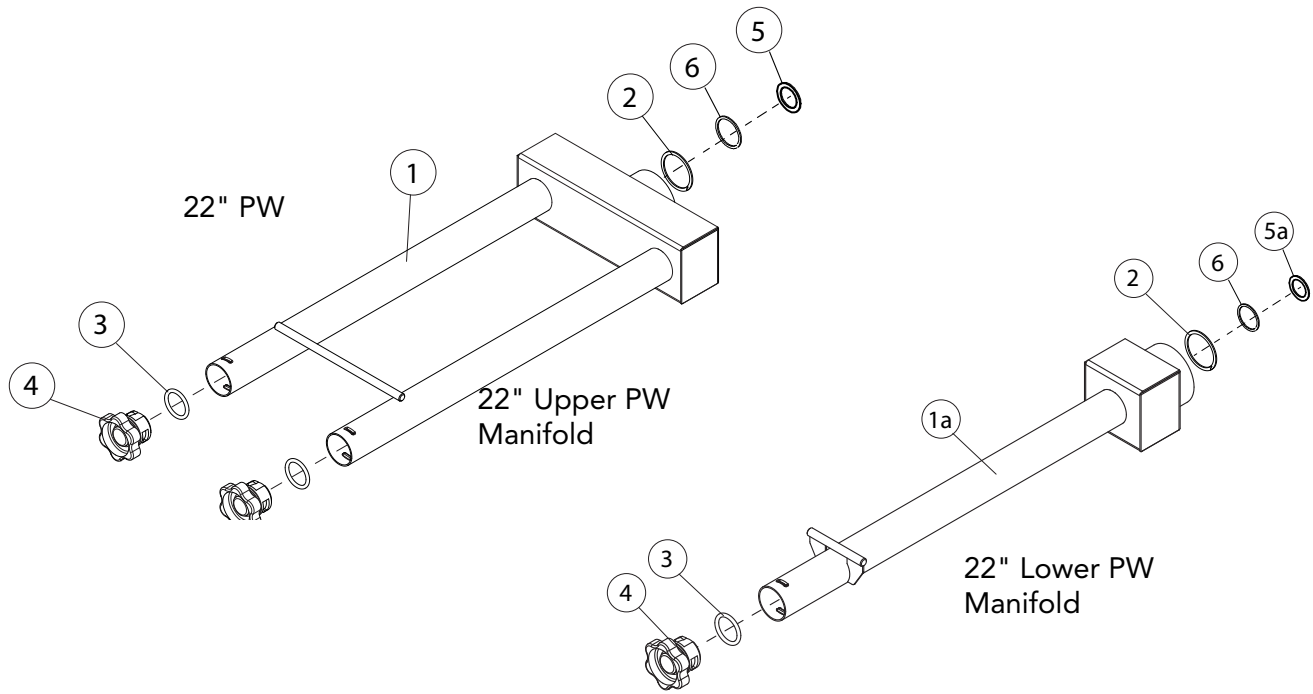
22" and 36" Prewash Spray Arms Manifolds (Prior to S/N RP21013012)



**22" and 36" Prewash Spray Manifolds (Prior to S/N RP21013012)**

| <b>Item No.</b> | <b>Part No.</b> | <b>Description</b>                        | <b>Qty.</b> |
|-----------------|-----------------|---|-------------|
| 1               | 116609          | O-RING, WASH ARM                          | 1           |
| 2               | 104414          | O-RING, END CAP                           | A/R         |
| 3               | 112240          | CAP, END WASH ARM                         | A/R         |
| 4               | 116608          | O-RING, PREWASH SIDE ARM                  | A/R         |
| 5               | 113716          | O-RING                                    | A/R         |
| 6               | 113555          | PLUG, CLEANOUT                            | A/R         |
| 7               | 337656          | SPRAYPIPE, SIDEWASH 22PW/36PW, STD HEIGHT | A/R         |
| 7a              | 338214          | SPRAYPIPE, SIDEWASH 22PW/36PW, HIGH HOOD  | A/R         |
| 8               | 337665          | WASH ARM MANIFOLD, PREWASH 22" RL         | 1           |
| 8a              | 337657          | WASH ARM MANIFOLD, PREWASH 22" LR         | 1           |
| 11              | 337988          | WASH ARM MANIFOLD, PREWASH 36PW (RL &LR)  | 1           |
| 12              | 339485-5        | RESTRICTOR, 22PW PRO                      | 1           |
| 13              | 339485-3        | RESTRICTOR, 36PW PRO                      | 1           |
| 14              | 117039          | RETAINING RING                            | 2           |

22" and 36" Prewash Spray Manifolds (Beginning with S/N RP21013012)



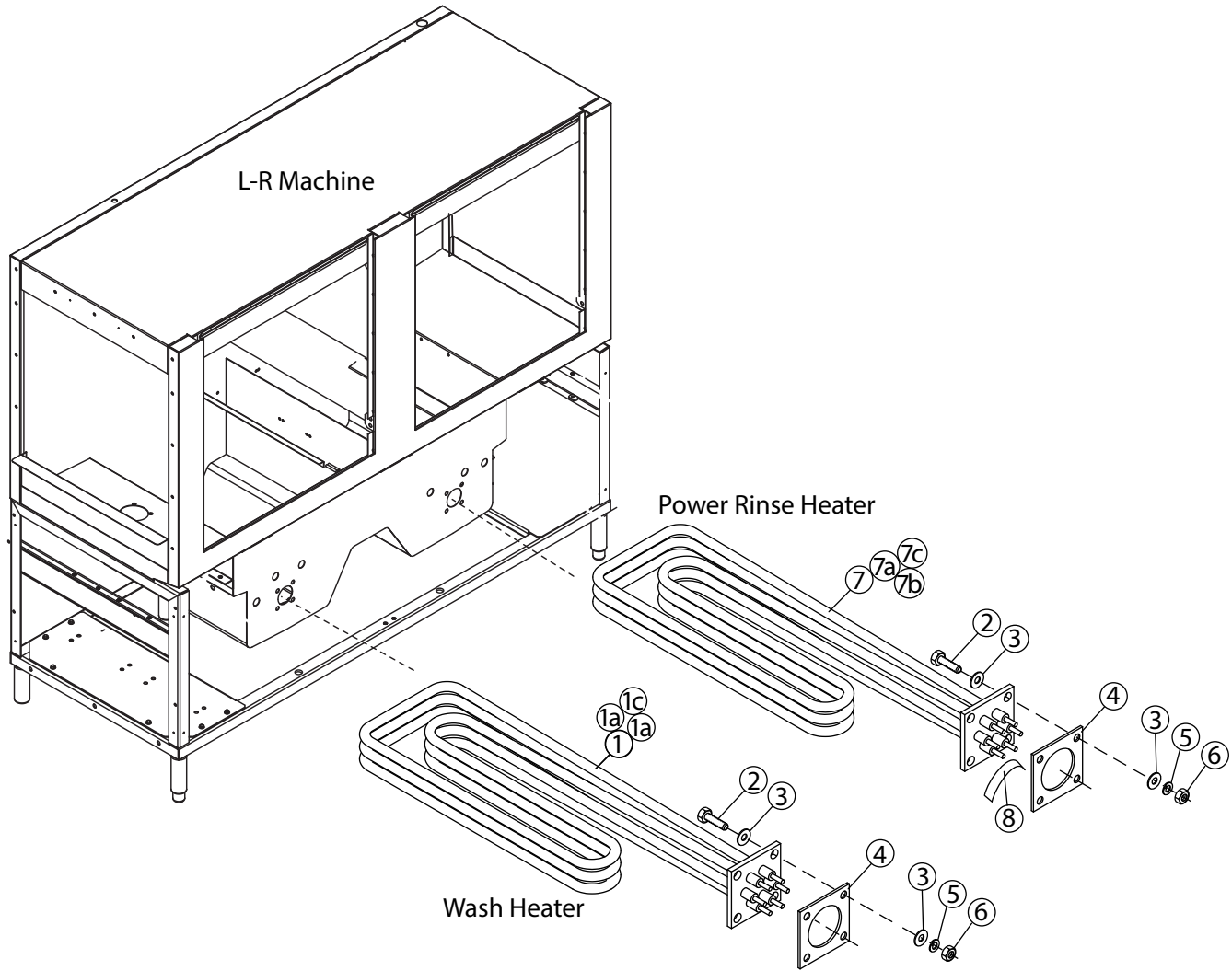
22" and 36" Prewash Spray Manifolds (Beginning with S/N RP21013012)

| Item No. | Part No. | Description                    | Qty. |
|----------|----------|--------------------------------|------|
| 22" PW   |          |                                |      |
| 1        | 339780   | MANIFOLD, 22", UPPER, TWO PIPE | 1    |
| 1a       | 339779   | MANIFOLD, 22", LOWER, ONE PIPE | 1    |
| 2        | 116609   | O-RING, WASH ARM               | 1    |
| 3        | 104414   | O-RING, END PLUG               | A/R  |
| 4        | 102240   | PLUG, DEBOSSSED                | A/R  |
| 5        | 339485-5 | RESTRICTOR, TOP, 22PW PRO      | 1    |
| 5a       | 339485-7 | RESTRICTOR, BOTTOM, 22PW PRO   | 1    |
| 6        | 117039   | RETAINING RING                 | 2    |

36" PW

|    |          |                                   |     |
|----|----------|-----------------------------------|-----|
| 1  | 339782   | MANIFOLD, 36", UPPER, THREE PIPE  | 1   |
| 1a | 339781   | MANIFOLD, 36", LOWER, TWO PIPE    | 1   |
| 2  | 116609   | O-RING, WASH ARM                  | 1   |
| 3  | 104414   | O-RING, END PLUG                  | A/R |
| 4  | 102240   | PLUG, DEBOSSSED                   | A/R |
| 5  | 339485-3 | RESTRICTOR, TOP & BOTTOM 36PW PRO | 2   |
| 6  | 117039   | RETAINING RING                    | 2   |

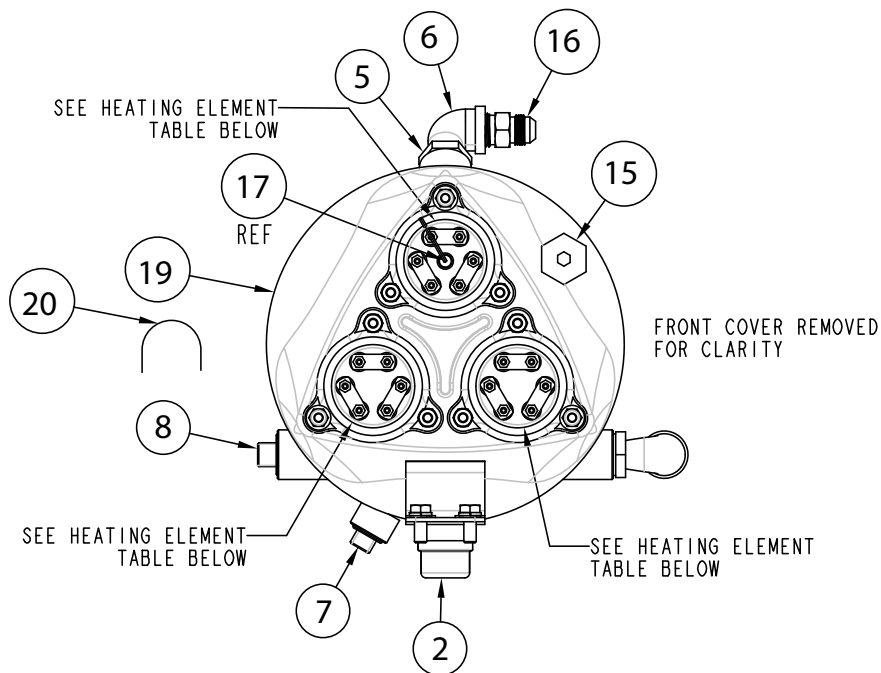
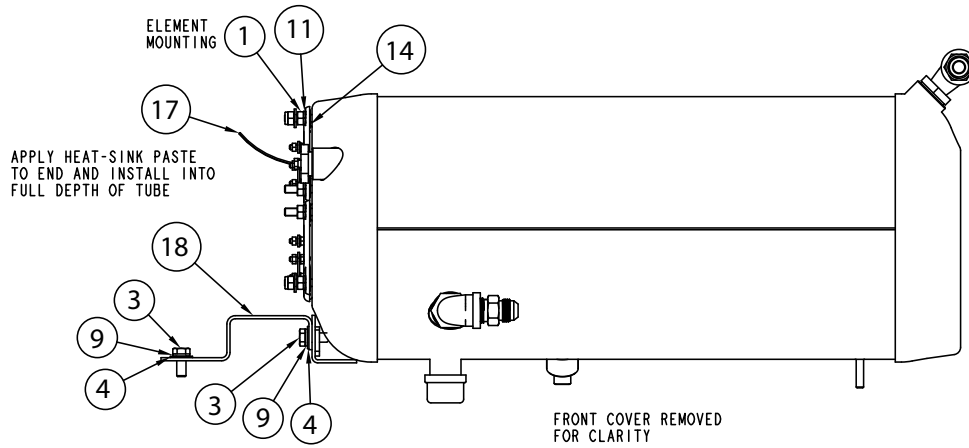
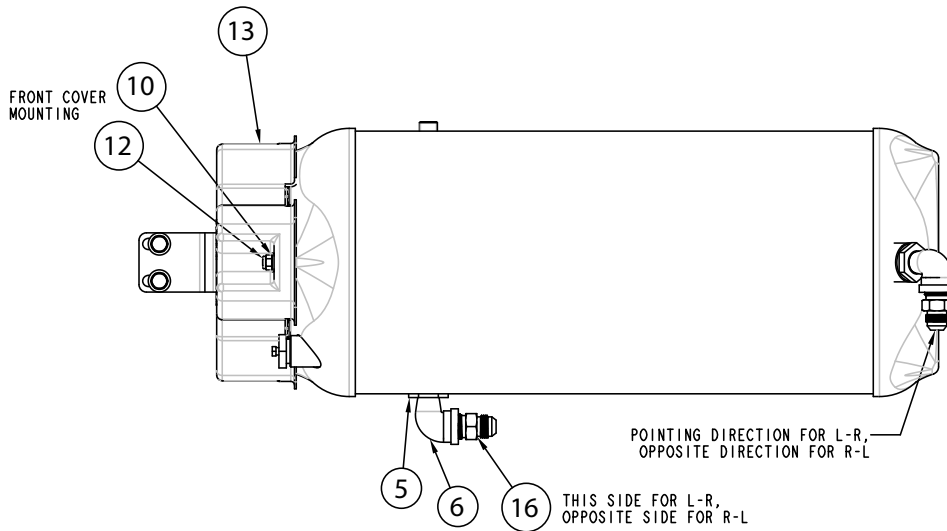
# Wash/Power Rinse Heaters





| Item No. | Part No. | Description  | Qty. |
|----------|----------|--|------|
| 1        | 113516   | HEATER, 15/18KW 200-220V/60/1 & 3, 380V/60/3       | 1    |
| 1a       | 113517   | HEATER, 15/16/3 KW 230-240V/60/1 & 3 400-415V/60/3 | 1    |
| 1b       | 113518   | HEATER, 15/16.3 KW 460-480V/60/3                   | 1    |
| 1c       | 113519   | HEATER, 15KW, 575V/60/3                            | 1    |
| 2        | 100153   | BOLT, 3/18-16 x 1" HEX HEAD, SST                   | 4    |
| 3        | 104618   | WASHER, FLAT 3/8" SST                              | 8    |
| 4        | 108345   | GASKET, 3" x 3" x 1/8", 2" HOLE                    | 1    |
| 5        | 106407   | WASHER, LOCK 3/8" SPLIT, SST                       | 4    |
| 6        | 100140   | NUT, PLAIN 3/8-16 SST                              | 4    |
| 7        | 113804   | HEATER, 10/12.1KW 200-220/3                        | 1    |
| 7a       | 113882   | HEATER, 10/11 KW 230-240V/3                        | 1    |
| 7b       | 113883   | HEATER, 10/11KW, 460-480V/3                        | 1    |
| 7c       | 113884   | HEATER, 10/11KW, 575V/3                            | 1    |
| 8        | 111885   | INSULATION, FISH PAPER                             | 1    |

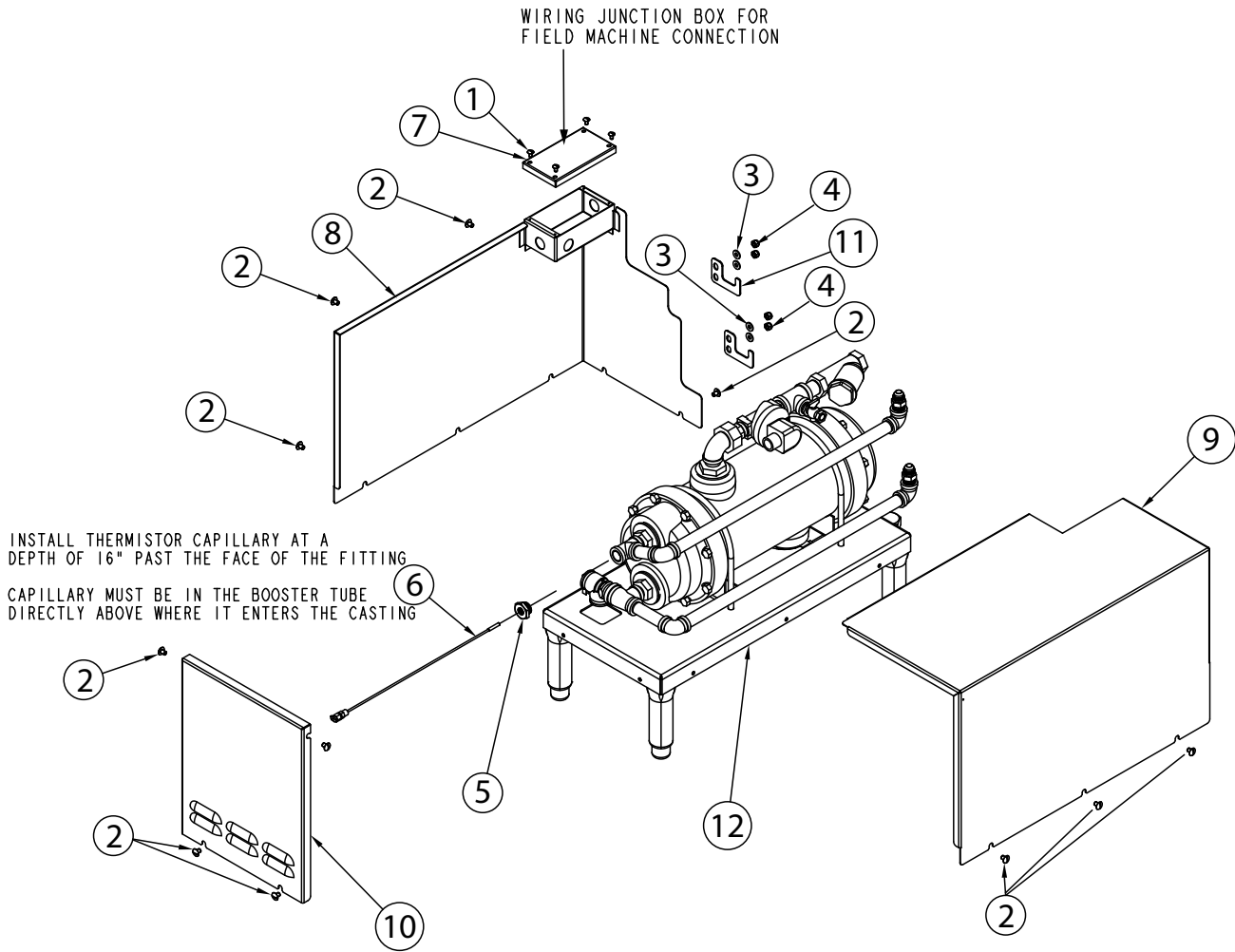
# Electric Booster



| Item No. | Part No. | Description  | Qty. |
|----------|----------|--|------|
| 1        | 100003   | NUT, PLAIN, 1/4-20 SST                               | 9    |
| 2        | 100113   | CAP, 3/4" NPT, SST                                   | 1    |
| 3        | 100739   | BOLT, HEX HEAD, 5/16-18 X 3/4" SST                   | 4    |
| 4        | 102376   | WASHER, FLAT 5/16"                                   | 4    |
| 5        | 102392   | BUSHING, REDUCING, 3/4" NPT X 1/2" NPT BRASS         | 2    |
| 6        | 102438   | ELBOW, STREET, 1/2" NPT X 90°                        | 2    |
| 7        | 102504   | PLUG, 1/2" NPT, SQ. HD, BRASS                        | 1    |
| 8        | 102505   | PLUG, 3/4" NPT SQ. HD, BRASS                         | 1    |
| 9        | 106013   | WASHER, LOCK 5/16" SPLIT SST                         | 4    |
| 10       | 106026   | WASHER, FLAT, 1/4" SST                               | 4    |
| 11       | 106482   | WASHER, LOCK 1/4" SPLIT SST                          | 9    |
| 12       | 107967   | NUT GRIP, 1/4-20 SST, W/NYLON                        | 3    |
| 13       | 108576   | COVER, BOOSTER HEATER, NO CUTOUT                     | 1    |
| 14       | 109985   | SEAL, BOOSTER HEATER                                 | 3    |
| 15       | 113604   | THERMOSTAT, FIXED HI-LIMIT 212°F, 1/2" NPT           | 1    |
| 16       | 115101   | CONNECTOR, MALE, 1/2" NPT X 1/2", 37D FLARE JC BRASS | 2    |
| 17       | 116754   | THERMISTOR, PROBE, US SENSOR (USP 192261)            | 1    |
| 18       | 328254   | BRACKET, BOOSTER, FRONT SUPPORT                      | 1    |
| 19       | 414331   | TANK, BOOSTER  | 1    |
| 20       | 111885   | INSULATION, FISH PAPER                               | 1    |

| BOOSTER HEATER ELEMENTS |                   |                    |                                    |
|-------------------------|-------------------|--------------------|------------------------------------|
| VOLTAGE                 | TOP ELEMENT (9kW) | BTM ELEMENTS (6kW) | WIRING COMMENTS                    |
| 208-220/380             | 116624            | 107909             | 380V WIRED AS WYE, OTHERS AS DELTA |
| 230-240/415             | 116625            | 114030             | 415V WIRED AS WYE, OTHERS AS DELTA |
| 460-480                 | 116626            | 114031             | WIRED AS DELTA                     |
| 575                     | 116627            | 114032             | WIRED AS DELTA                     |

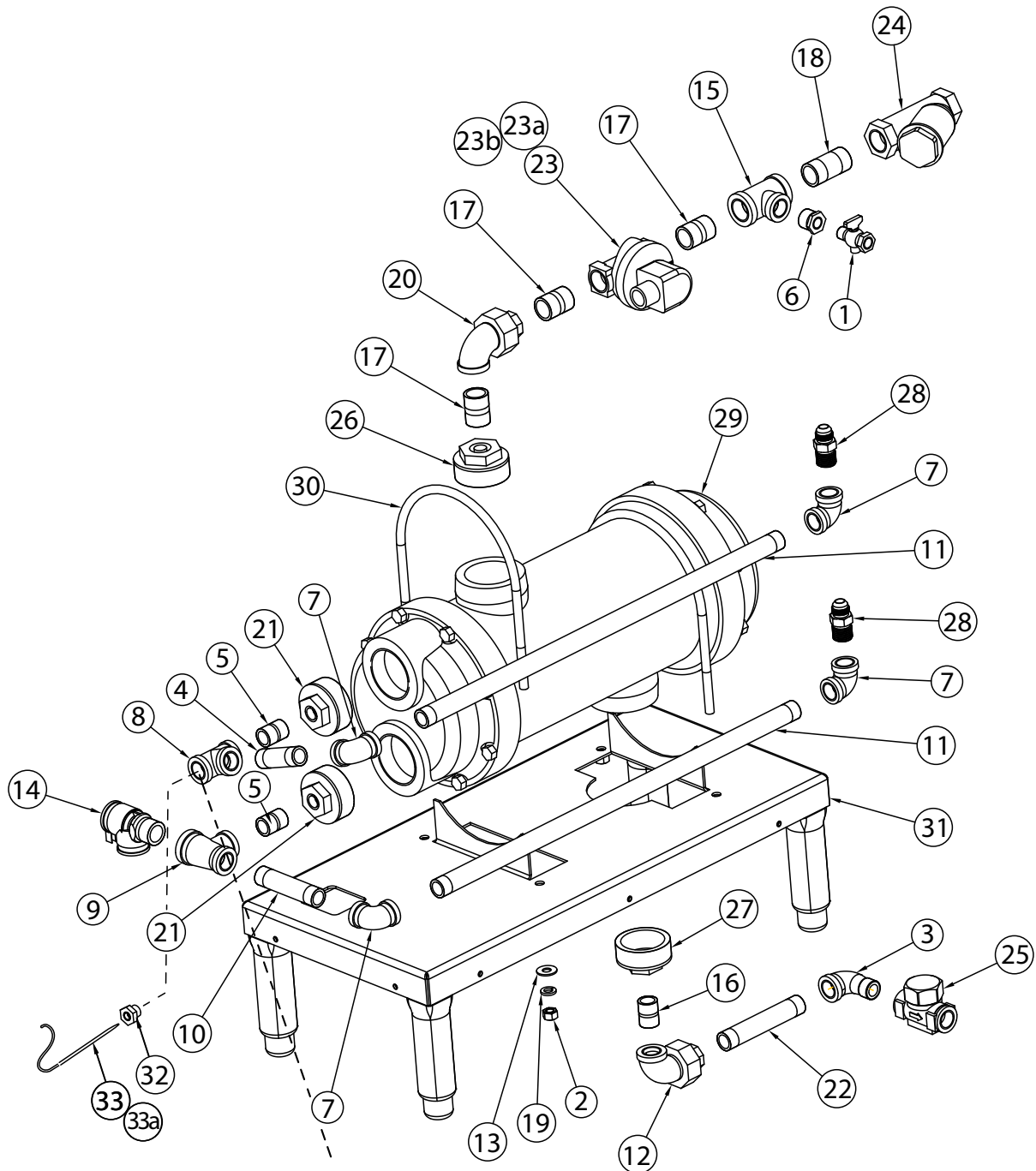
External Steam Booster Cabinet - Beginning with S/N RP18101727



External Steam Booster Cabinet - Beginning with S/N RP18101727

| Item No. | Part No. | Description                                      | Qty. |
|----------|----------|--|------|
| 1        | 100007   | SCREW, TRUSS HEAD, 10-32 X 3/8" SST              | 4    |
| 2        | 100778   | SCREW, TRUSS HEAD, 1/4-20 X 3/8" SST             | 14   |
| 3        | 106026   | WASHER, FLAT, 1/4" SST                           | 4    |
| 4        | 107967   | GRIP NUT, 1/4-20, SST W/NYLON INSERT             | 4    |
| 5        | 115530   | ADAPTER, THERMOMETER, DIGITAL                    | 1    |
| 6        | 117002   | THERMISTER, 10kW 48" LEAD, FLEXIBLE, ADJ. DEPTH. | 1    |
| 7        | 339032   | COVER, SST STATION, BLANK                        | 1    |
| 8        | 339568   | PANEL, WELD, LH, PRO EXTERNAL BOOSTER CABINET    | 1    |
| 9        | 339571   | PANEL, RH PRO EXTERNAL BOOSTER CABINET           | 1    |
| 10       | 339582   | PANEL, FRONT, EXTERNAL BOOSTER CABINET           | 1    |
| 11       | 339585   | PIPING, SUPPORT, WATER, PRO EXT. BSTR, CABINET   | 2    |
| 12       | 602486   | BOOSTER PIPING ASSY. EXT. 1200 STEAM BSTR., PRO  | 1    |

# External Steam Booster - Beginning with S/N RP18101727

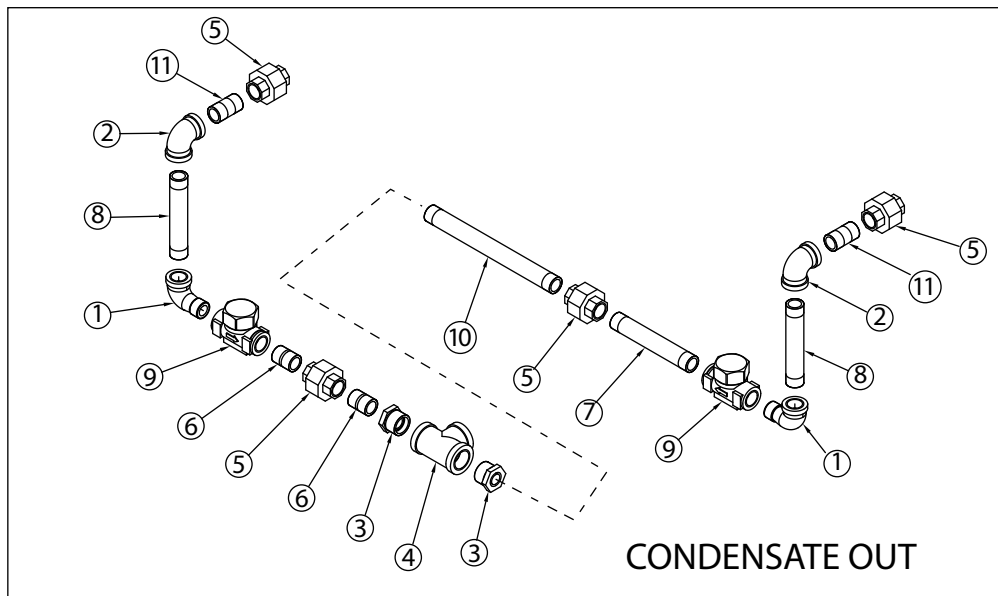
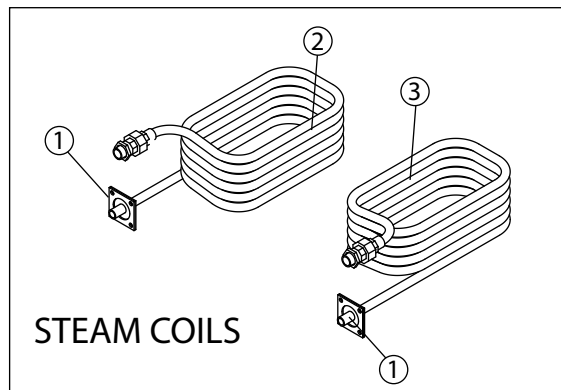
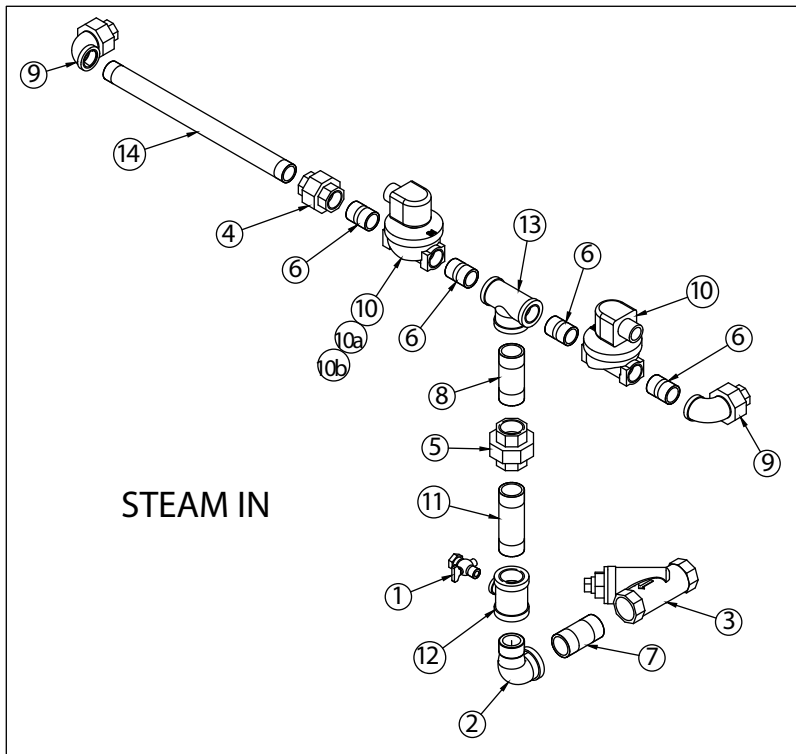


Thermistor capillary will install here at a depth of 16" past the face of the fitting.

**External Steam Booster - Beginning with S/N RP18101727**

| <b>Item No.</b> | <b>Part No.</b> | <b>Description</b>  | <b>Qty.</b> |
|-----------------|-----------------|---|-------------|
| 1               | 100123          | PETCOCK. 1/4" NPT FEMALE, BRASS   | 1           |
| 2               | 100140          | PLAIN NUT, 3/8-16 SST   | 4           |
| 3               | 100147          | ELBOW, STREET, 1/2" NPT X 90°, MI   | 1           |
| 4               | 100206          | NIPPLE, 1/2" NPT X 2-1/2" LG., BRASS  | 1           |
| 5               | 100209          | NIPPLE, 1/2" NPT X CLOSE, BRASS   | 2           |
| 6               | 102402          | BUSHING, REDUCING, 1/2" NPT X 1/4" NPT, BI                                    | 1           |
| 7               | 102435          | ELBOW, 1/2" NPT X 90°, BRASS  | 4           |
| 8               | 102514          | TEE, 1/2" NPT, BRASS  | 1           |
| 9               | 102524          | TEE, RED. 3/4" X 1/2" X 1/2" NPT BRASS  | 1           |
| 10              | 102569          | NIPPLE, 1/2" NPT X 3-1/2" LG., BRASS  | 1           |
| 11              | 102620          | NIPPLE, 1/2" NPT X 21-1/2" NPT, BRASS   | 2           |
| 12              | 103433          | UNION, ELBOW, 1/2" NPT, FEMALE, BI  | 1           |
| 13              | 104618          | WASHER, FLAT 3/8"   | 4           |
| 14              | 104649          | VALVE, PRESSURE RELIEF, 3/4" NPT BRONZE                                       | 1           |
| 15              | 105759          | TEE, REDUCING, 3/4" NPT X 3/4" NPT X 1/2" MI                                  | 1           |
| 16              | 105782          | NIPPLE, 1/2" NPT X CLOSE, BI  | 1           |
| 17              | 105803          | NIPPLE, 3/4" NPT X CLOSE, BI  | 3           |
| 18              | 105806          | NIPPLE, 3/4" NPT X 2" LG., BI   | 1           |
| 19              | 106407          | WASHER, LOCK, 3/8" SPLIT, SST   | 4           |
| 20              | 106485          | UNION, ELBOW, 3/4" NPT, FEMALE BI   | 1           |
| 21              | 106582          | BUSHING, REDUCING, 2" NPT X 1/2" NPT, BRASS                                   | 2           |
| 22              | 107487          | NIPPLE, 1/2" NPT X 4-1/2" LG., BI   | 1           |
| 23              | 109887          | VALVE, SOLENOID, 3/4" NPT STEAM, 120VAC                                       | 1           |
| 23a             | 109903          | KIT, REPAIR, 3/4" STEAM SOLENOID VALVE  | A/R         |
| 23b             | 108516          | COIL, SOLENOID, 3/4" 120 VAC  | A/R         |
| 24              | 110768          | STRAINER, LINE 3/4" NPT BRASS   | 1           |
| 25              | 111380          | TRAP, STEAM 1/2" NPT, TDC   | 1           |
| 26              | 112341          | BUSHING, REDUCING, 2" NPT X 3/4" NPT, BI                                      | 1           |
| 27              | 112365          | BUSHING, REDUCING, 2" NPT X 1/2" NPT, BI                                      | 1           |
| 28              | 115101          | CONNECTOR, MALE, 1/2" NPT X 1/2" 37D FLARE JIC BRASS                          | 2           |
| 29              | 115640          | BOOSTER, THRUSH #1200   | 1           |
| 30              | 116676          | U-BOLT, #1200 BOOSTER   | 2           |
| 31              | 339566          | BASE, WELD, PRO EXTERNAL, 1200 BOOSTER  | 1           |
| 32              | 115530          | ADAPTER, THERMOMETER  | 1           |
| 33              | 117002          | THERMISTOR, 10KΩ, 40" LEAD, FLEXIBLE DEPTH<br>(Beginning with S/N RP19031884) | 1           |
| 33a             | 109069          | THERMOSTAT (From S/N RP19031874 to RP19031884)                                | 1           |

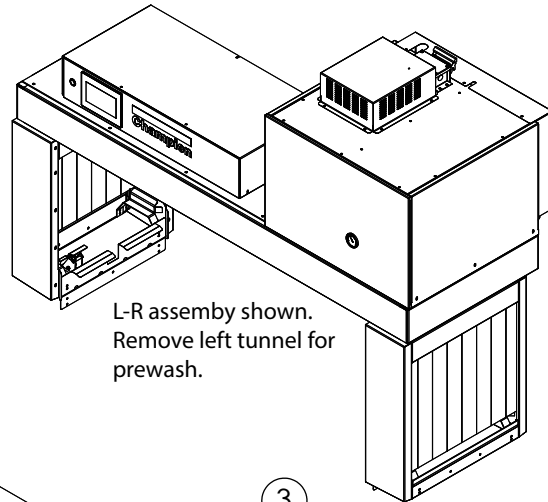
# Steam Coils and Piping



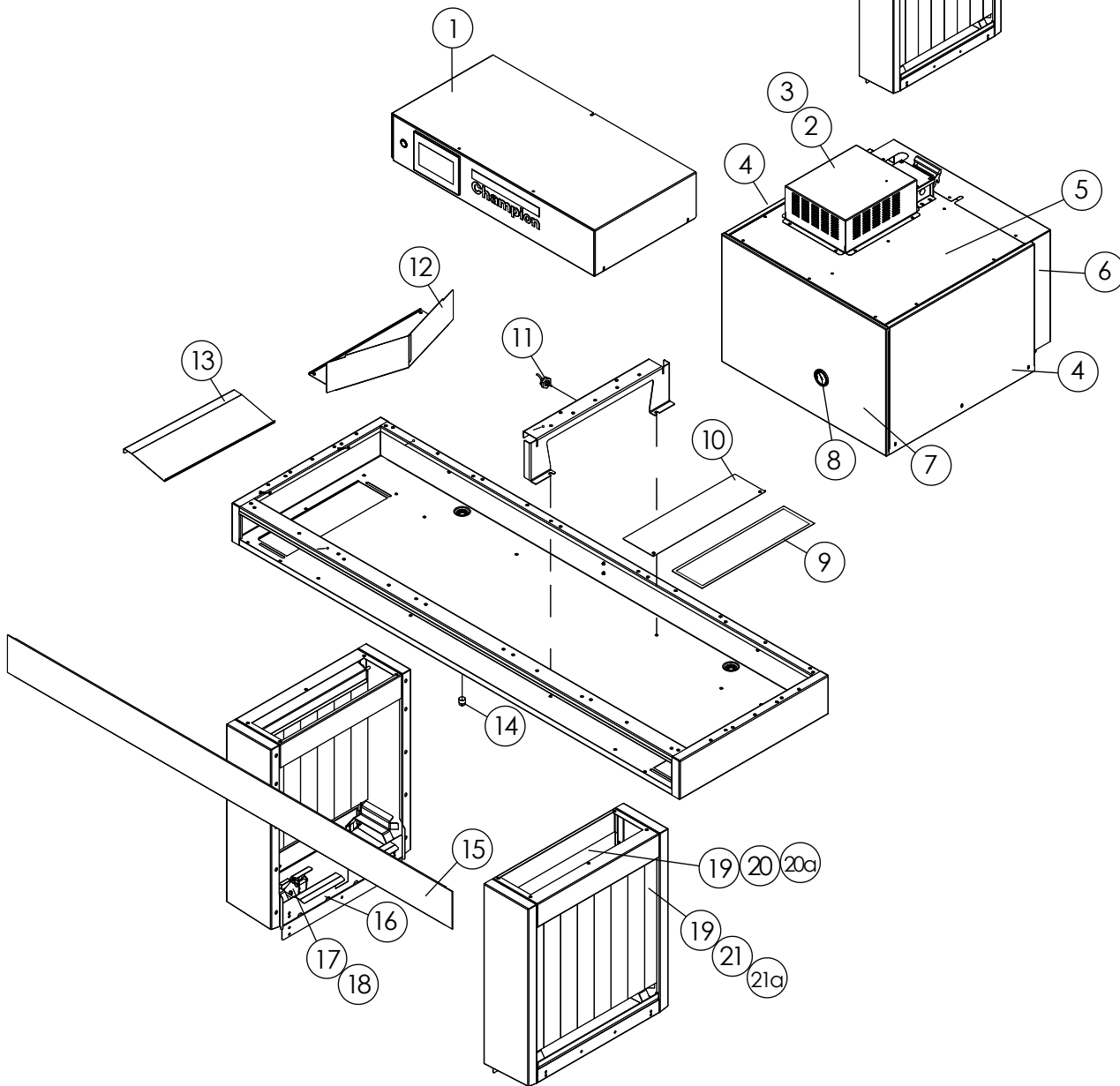


| Item No.              | Part No. | Description                               | Qty. |
|-----------------------|----------|---|------|
| <u>STEAM IN</u>       |          |   |      |
| 1                     | 100123   | PETCOCK, 1/4" NPT, FEMALE, BRASS          | 1    |
| 2                     | 100134   | ELBOW, STREET, 1" NPT X 90° MI            | 1    |
| 3                     | 101248   | LINE STRAINER, 1" NPT BRONZE              | 1    |
| 4                     | 105779   | UNION, 3/4" NPT, BI                       | 1    |
| 5                     | 105780   | UNION, 1" NPT, BI                         | 1    |
| 6                     | 105803   | NIPPLE, 3/4" NPT X CLOSE, BRASS           | 4    |
| 7                     | 105851   | NIPPLE, 1" NPT X 2-1/2" LG., BI           | 1    |
| 8                     | 105853   | NIPPLE, 1" NPT X 3" LG., BI               | 1    |
| 9                     | 106485   | UNION, ELBOW, 3/4" NPT FEMALE BI          | 2    |
| 10                    | 109887   | VALVE, SOLENOID 3/4" NPT STEAM            | 1    |
| 10a                   | 109903   | KIT, REPAIR 3/4" STEAM VALVE              | A/R  |
| 10b                   | 108516   | COIL, SOLENOID VALVE 120VAC               | A/R  |
| 11                    | 109969   | NIPPLE, 1" NPT X 3-3/4" LG., BI           | 1    |
| 12                    | 112358   | TEE, REDUCING, 1" X 1" X 1/4" NPT, BI     | 1    |
| 13                    | 112359   | TEE, RED. 3/4" X 3/4" X 1" NPT BI         | 1    |
| 14                    | 113003   | NIPPLE, 3/4" NPT X 13" LG., BI            | 1    |
| <u>STEAM COILS</u>    |          |   |      |
| 1                     | 108345   | GASKET                                    | 2    |
| 2                     | 327907   | COIL, STEAM R-L                           | 1    |
| 3                     | 327908   | COIL, STEAM L-R                           | 1    |
| <u>CONDENSATE OUT</u> |          |   |      |
| 1                     | 100147   | ELBOW, STREET 1/2" NPT X 90° MI           | 2    |
| 2                     | 102288   | ELBOW, 1/2" NPT X 90° MI                  | 2    |
| 3                     | 103465   | BUSHING, REDUCING, 3/4" NPT X 1/2" NPT BI | 2    |
| 4                     | 105752   | TEE, 3/4" NPT, MI                         | 1    |
| 5                     | 105778   | UNION, 1/2"NPT, MI                        | 4    |
| 6                     | 105782   | NIPPLE, 1/2" NPT X CLOSE BI               | 2    |
| 7                     | 105793   | NIPPLE, 1/2" NPT X 5" LG., BI             | 1    |
| 8                     | 107487   | NIPPLE, 1/2" NPT X 4-1/2" LG., BI         | 2    |
| 9                     | 111380   | STEAM TRAP, 1/2" NPT TDC                  | 2    |
| 10                    | 111489   | NIPPLE, 1/2" NPT X 8-1/4" LG., BI         | 1    |
| 11                    | 113643   | NIPPLE, 1/2" NPT X 1-1/2" LG., BI         | 2    |

# VHR Assembly (Beginning with S/N 21013012)



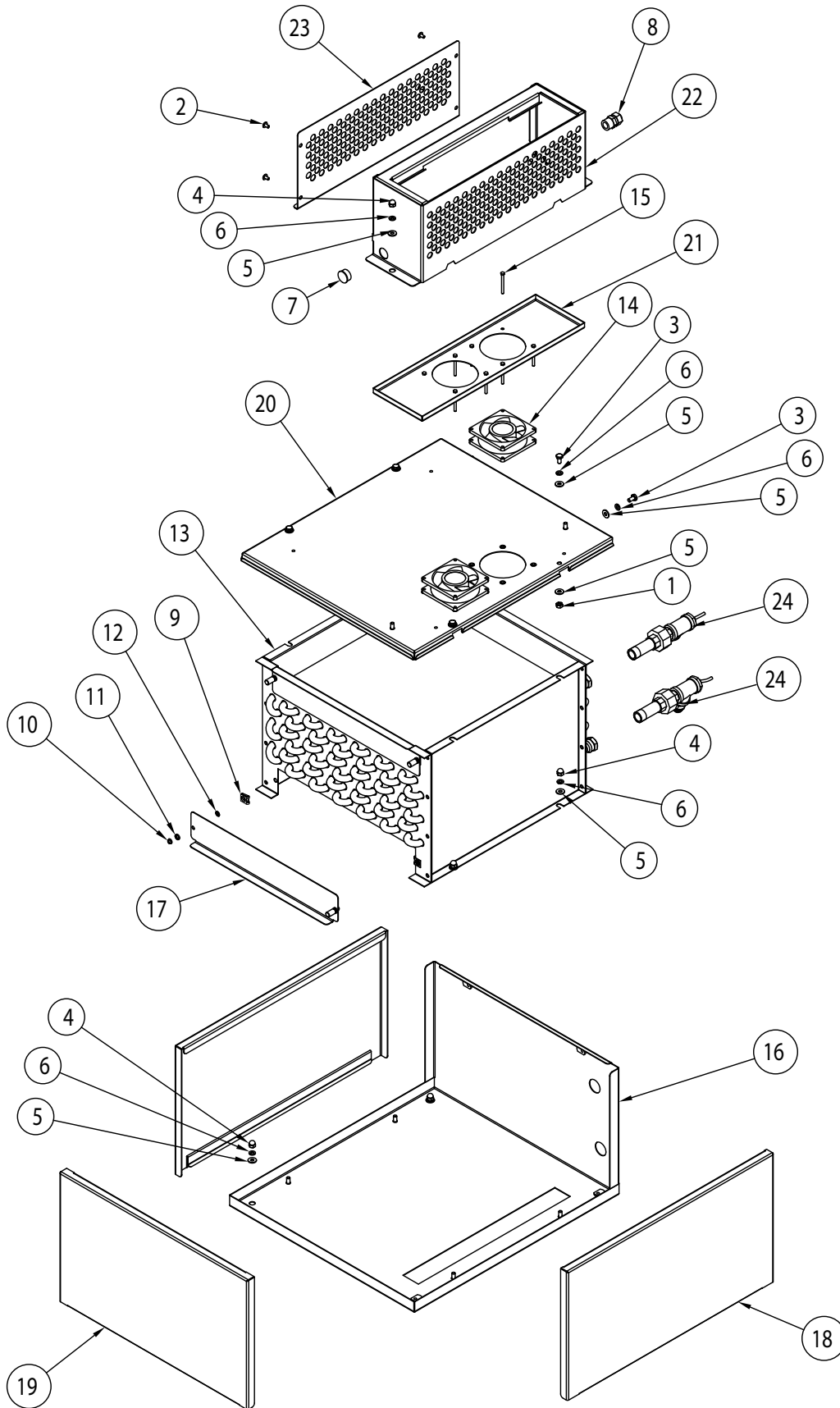
L-R assembly shown.  
Remove left tunnel for  
prewash.



VHR Assembly (Beginning with S/N 21013012)

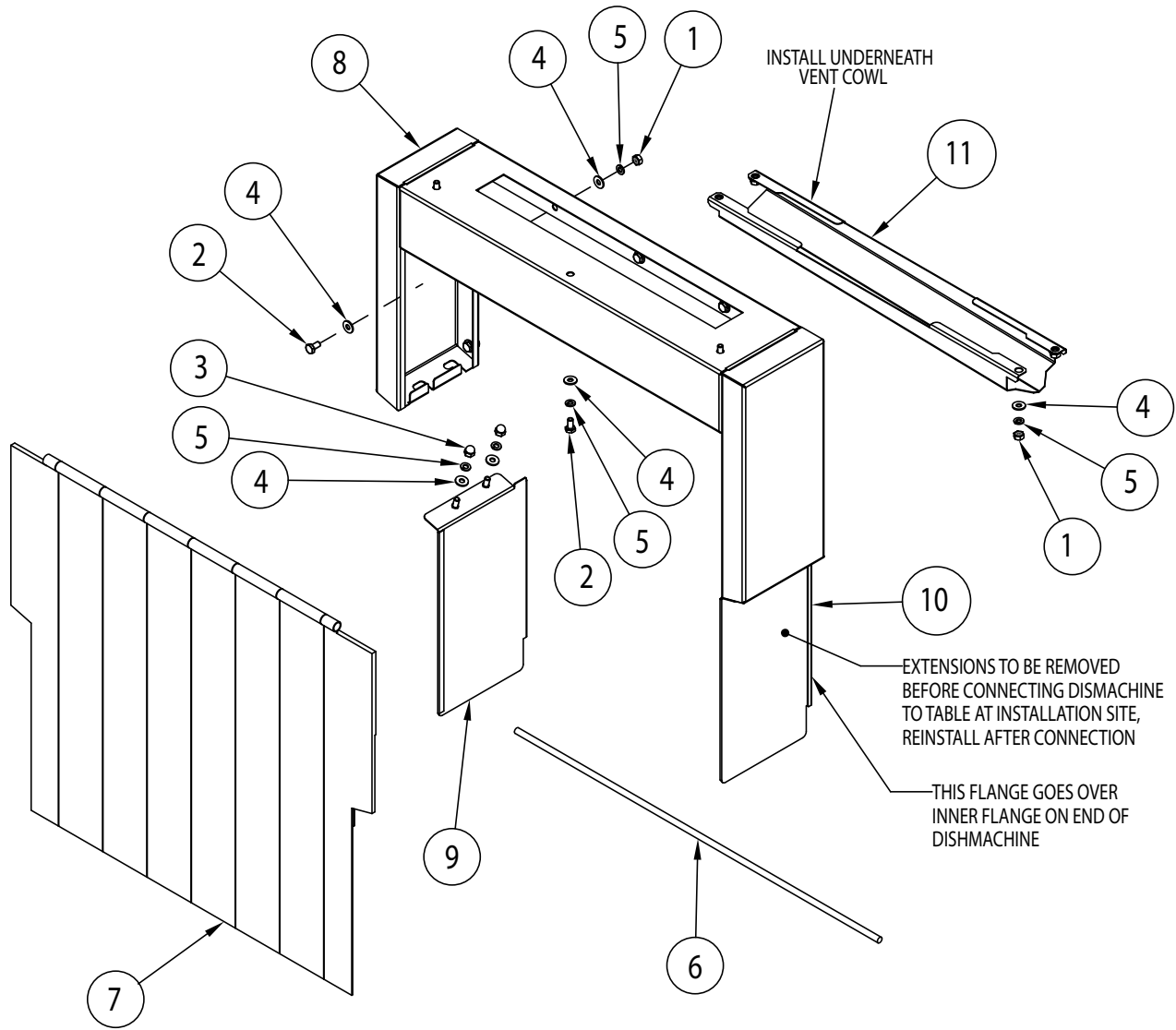
| Item No. | Part No. | Description                         | Qty. |
|----------|----------|-------------------------------------|------|
| 1        | 339380   | COVER, CONTROL CABINET              | 1    |
| 2        | 116547   | FAN, CENTRIFUGAL, 115/60/1          | 1    |
| 3        | 337395   | COVER, FAN                          | 1    |
| 4        | 337964   | PANEL, SIDE                         | 2    |
| 5        | 337965   | PANEL, TOP                          | 1    |
| 6        | 337966   | PANEL, REAR                         | 1    |
| 7        | 337963   | PANEL, FRONT                        | 1    |
| 8        | 109812   | GAUGE, PRESSURE                     | 1    |
| 9        | 117206   | GASKET, BLOCK-OFF PLATE             | 1    |
| 10       | 337650   | PLATE, AIR FLOW ADJUSTING           | 1    |
| 11       | 114435   | THERMISTOR, 10K $\Omega$ , 36" LEAD | 1    |
| 12       | 339982   | PLATE, AIR FLOW ADJUSTING, LOAD END | 1    |
| 13       | 339981   | DIVERTER, CONDENSATE                | 1    |
| 14       | 102504   | PLUG, 1/2" NPT, BRASS, SQ. HEAD     | 1    |
| 15       | 339979   | PANEL, CAVITY ACCESS 64VHR          | 1    |
| 16       | 337648   | BAFFLE, LOWER TABLE FLANGE          | 1    |
| 17       | 113719   | SWITCH, REED                        | 1    |
| 18       | 113937   | MAGNET                              | 1    |
| 19       | 108250   | ROD, CURTAIN 5/16" X 24-5/8" SST    | 3    |
| 20       | 116965   | CURTAIN, 24" X 17-1/8", STD. HOOD   | 1    |
| 20a      | 207768   | CURTAIN, 24" X 22-1/4", HIGH HOOD   | 1    |
| 21       | 113720   | CURTAIN, 24" X 20-1/4", STD. HOOD   | 2    |
| 21a      | 114026   | CURTAIN, 24" X 24-1/4", HIGH HOOD   | 2    |

# Heat Recovery Unit Coil



| Item No. | Part No. | Description                                | Qty. |
|----------|----------|--|------|
| 1        | 100003   | NUT PLAIN, 1/4-20 SST                      | 4    |
| 2        | 100007   | SCREW, TRUSS HEAD, 10-32 X 3/8" SST        | 4    |
| 3        | 100734   | BOLT, HEX HEAD, 1/4-20 X 1/2" SST          | 6    |
| 4        | 106014   | NUT, ACORN, 1/4-20 SST                     | 8    |
| 5        | 106026   | WASHER, FLAT, 1/4" SST                     | 18   |
| 6        | 106482   | WASHER, LOCK, 1/4" SPLIT SST               | 14   |
| 7        | 112519   | PLUG, SNAP, D-FLAT                         | 1    |
| 8        | 114365   | CORD GRIP, LIQUID TITE, W/LOCKNUT 1/2" NPT | 1    |
| 9        | 114646   | RECEPTACLE, 1/4 TURN, #82                  | 4    |
| 10       | 114647   | SPRING, 1/4 TURN, SST #82                  | 4    |
| 11       | 114648   | WASHER, WEAR, CUPPED, #82                  | 4    |
| 12       | 114649   | RING, RETAINER, SST, #82                   | 4    |
| 13       | 116911   | COIL, ASSEMBLY, PRO RACK, HRU              | 1    |
| 14       | 116953   | FAN. NMB. 24VDC, 105.9 CFM                 | 2    |
| 15       | 116954   | BOLT, HEX HEAD, 8-32 X 1-3/4" SST          | 8    |
| 16       | 339109   | COIL, BASE WELD, PRO HRU, LR               | 1    |
| 17       | 339111   | CLEANING, ACCESS, COVER, DEVP., PRO HRU    | 2    |
| 18       | 339114   | SIDE COVER, WELD, PRO HRU                  | 2    |
| 19       | 339116   | FRONT COVER, WELD., PRO HRU                | 1    |
| 20       | 339270   | TOP COVER, WELD., PRO HRU                  | 1    |
| 21       | 339282   | VENT STACK, DRAIN PAN DEVP., PRO HRU       | 1    |
| 22       | 339288   | VENT STACK, WELD., PRO HRU                 | 1    |
| 23       | 339291   | FAN, ACCESS PANEL, PRO HRU                 | 1    |
| 24       | 602436   | PIPING ASSEMBLY, HRU CONNECT, PRO HRU      | 2    |

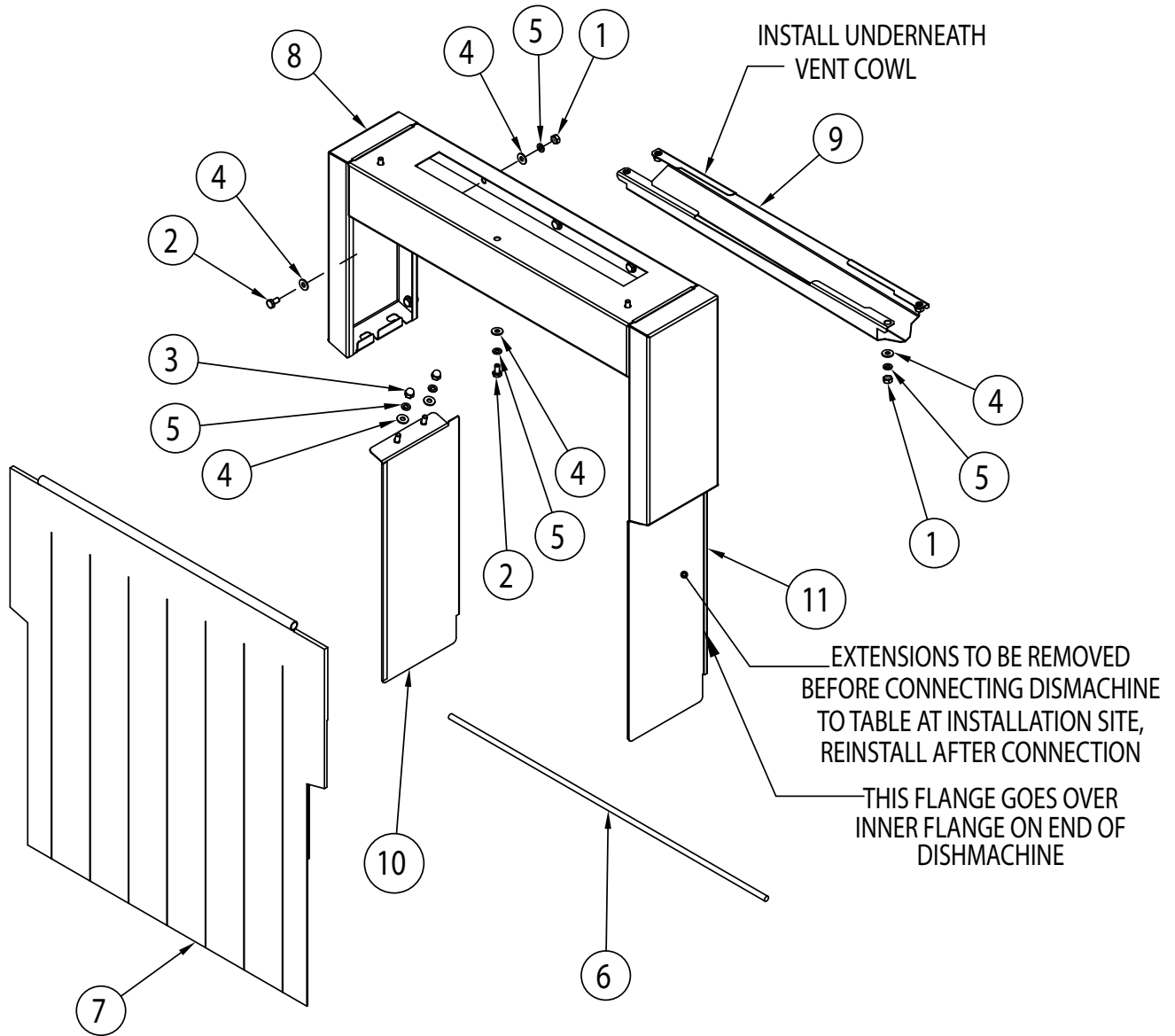
# Heat Recovery Unit Standard Hood Vent Cowl



## Heat Recovery Unit Standard Hood Vent Cowl

| Item No. | Part No. | Description                                   | Qty. |
|----------|----------|---|------|
| 1        | 100003   | HEX PLAIN NUT, 1/4-20 SST                     | 13   |
| 2        | 100734   | BOLT, HEX HEAD, 1/4-20 X 1/2" SST             | 12   |
| 3        | 106014   | HEX ACORN PLAIN NUT, 1/4-20 SST               | 4    |
| 4        | 106026   | WASHER, FLAT, 1/4" SST                        | 29   |
| 5        | 106482   | WASHER, LOCK, 1/4" SPLIT SST                  | 20   |
| 6        | 108250   | ROD, CURTAIN, 5/16 X 24-5/8", 304 SST         | 1    |
| 7        | 116964   | CURTAIN, PRO HRU, VENT COWL, STD HT.          | 1    |
| 8        | 339106   | VENT COWL, WELD., PRO HRU                     | 1    |
| 9        | 339136-1 | VENT COWL, EXT. WELD., STD. HT. PRO HRU - FAS | 1    |
| 10       | 339136-2 | VENT COWL, EXT. WELD., STD. HT. PRO HRU - FOP | 1    |
| 11       | 339281   | CONDENSATE, DRAIN PAN DEVP., PRO HRU          | 1    |

# Heat Recovery Unit High Hood Vent Cowl

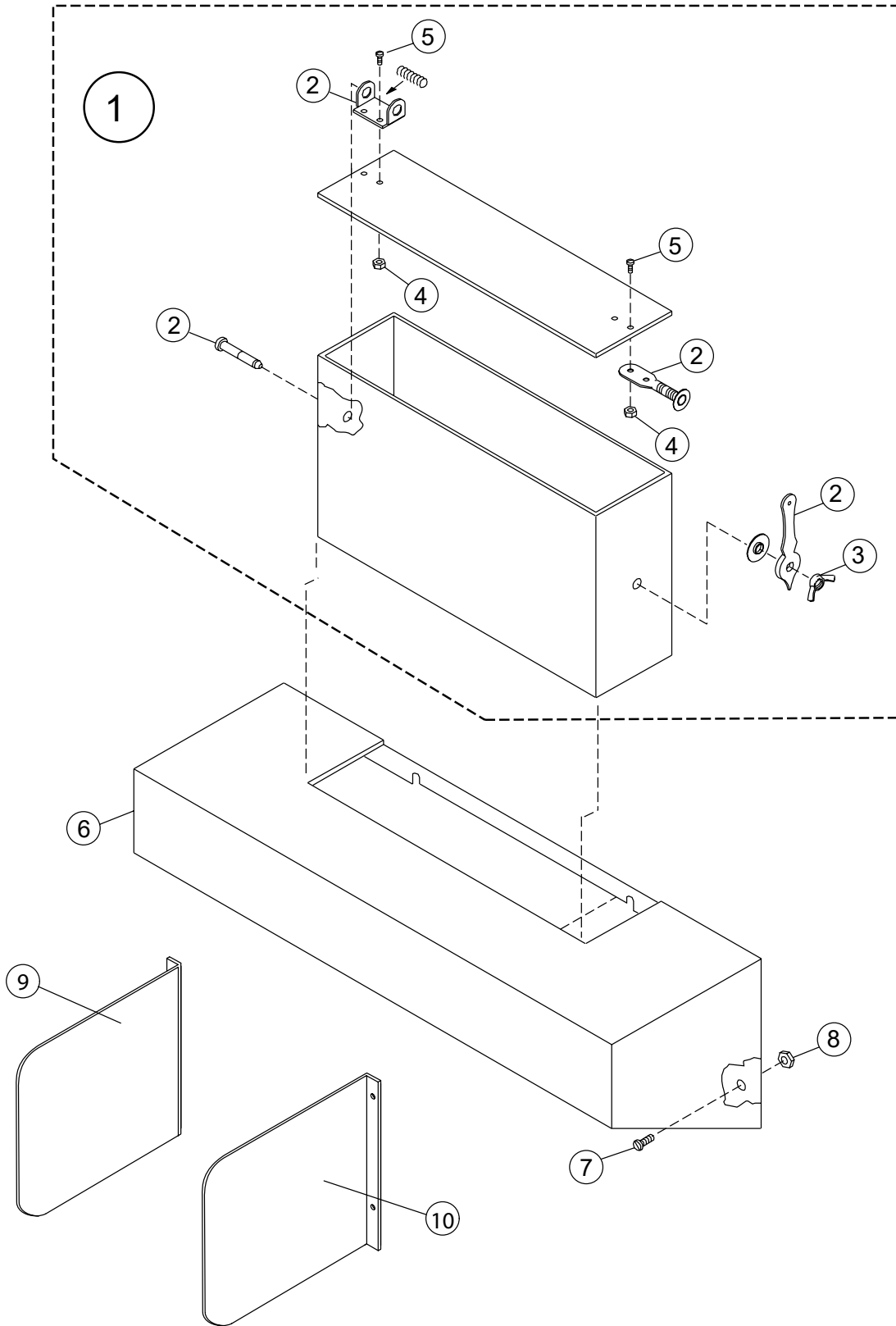




## Heat Recovery Unit High Hood Vent Cowl

| Item No. | Part No. | Description                                | Qty. |
|----------|----------|--|------|
| 1        | 100003   | HEX PLAIN NUT, 1/4-20 SST                  | 13   |
| 2        | 100734   | BOLT, HEX HEAD, 1/4-20 X 1/2" SST          | 12   |
| 3        | 106014   | HEX ACORN PLAIN NUT, 1/4-20 SST            | 4    |
| 4        | 106026   | WASHER, FLAT, 1/4" SST                     | 29   |
| 5        | 106482   | WASHER, LOCK, 1/4" SPLIT SST               | 20   |
| 6        | 108250   | ROD, CURTAIN, 5/16" X 24-5/18" 304, SST    | 1    |
| 7        | 117004   | CURTAIN, PRO HRU VENT COWL, HH             | 1    |
| 8        | 339106   | VENT COWL WELD., PRO HRU                   | 1    |
| 9        | 339281   | CONDENSATE DRAIN PAN, DEVP., PRO HRU       | 1    |
| 10       | 339397-1 | VENT COWL, EXTENSION, WELD., PRO HRU - FAS | 1    |
| 11       | 339397-2 | VENT COWL, EXTENSION, WELD., PRO HRU - FOP | 1    |

# Standard Vent Cowl and Splash Shields



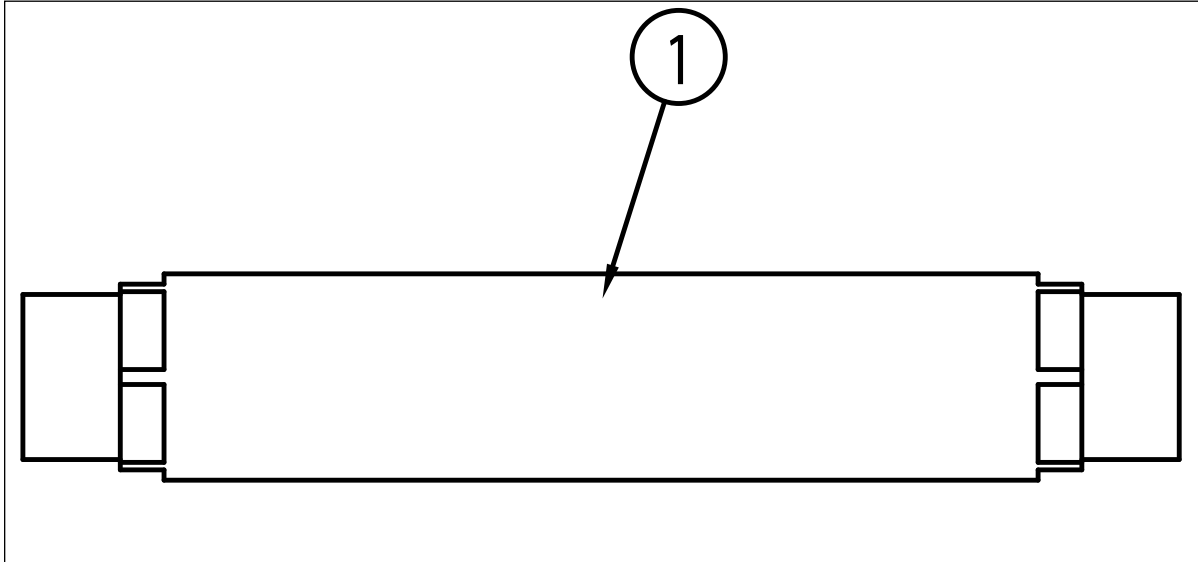
Standard Vent Cowl and Splash Shields

| Item No. | Part No. | Description  | Qty. |
|----------|----------|--|------|
| 1        | 401487-S | VENT STACK ASSEMBLY, 4" X 16" (INCLUDES ITEMS 2-6) | 2    |
| 2        | 201589   | DAMPER, REGULATOR ASSEMBLY                         | 2    |
| 3        | 112258   | NUT, WING 1/4-20 SST                               | 2    |
| 4        | 108954   | NUT, GRIP 6-32 W/NYLON INSERT                      | 8    |
| 5        | 104883   | SCREW 6-32 X 3/8" ROUND HEAD                       | 8    |
| 6        | 337597   | VENT COWL, DEVP., SHORT, PRO RACK                  | 2    |
| 7        | 100734   | BOLT 1/4-20 X 1/2" HEX HEAD                        | 4    |
| 8        | 100141   | NUT GRIP 1/4-20 SST                                | 8    |
| 9        | 328995-1 | SHIELD, SPLASH LH                                  | 1    |
| 10       | 328995-2 | SHIELD, SPLASH RH                                  | 1    |

## Ion Water Conditioner/Drain Water Tempering Kit

### ION WATER CONDITIONER

**NOTE: CONTACT FACTORY FOR PROPER ION WATER CONDITIONER SIZE.**



### DRAIN WATER TEMPERING KIT

**NOTE: THE KIT IS SHIPPED UNMOUNTED FOR FIELD INSTALLATION.**



Ion Water Conditioner/Drain Water Tempering Kit

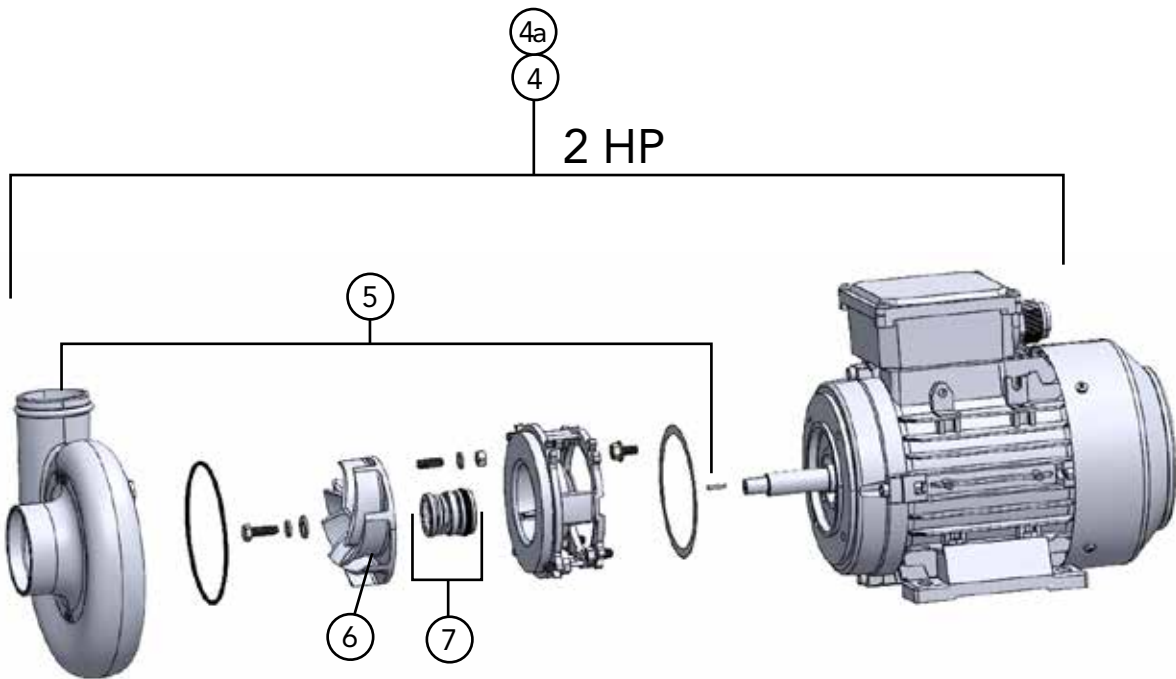
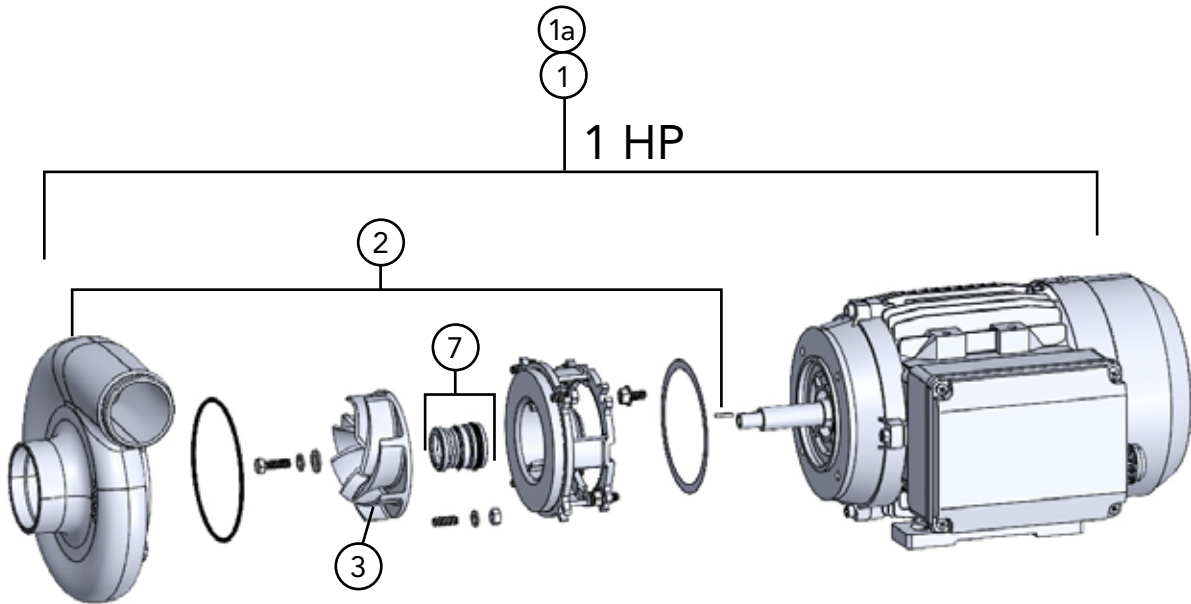
| Item No. | Part No. | Description                  | Qty. |
|----------|----------|------------------------------|------|
| 1        | -----    | WATER CONDITIONER, UNMOUNTED | 1    |

**NOTE: CONTACT FACTORY FOR PROPER ION WATER CONDITIONER SIZE.**

DRAIN WATER TEMPERING KIT, P/N 116751

**NOTE: THE KIT IS SHIPPED UNMOUNTED FOR FIELD INSTALLATION.**

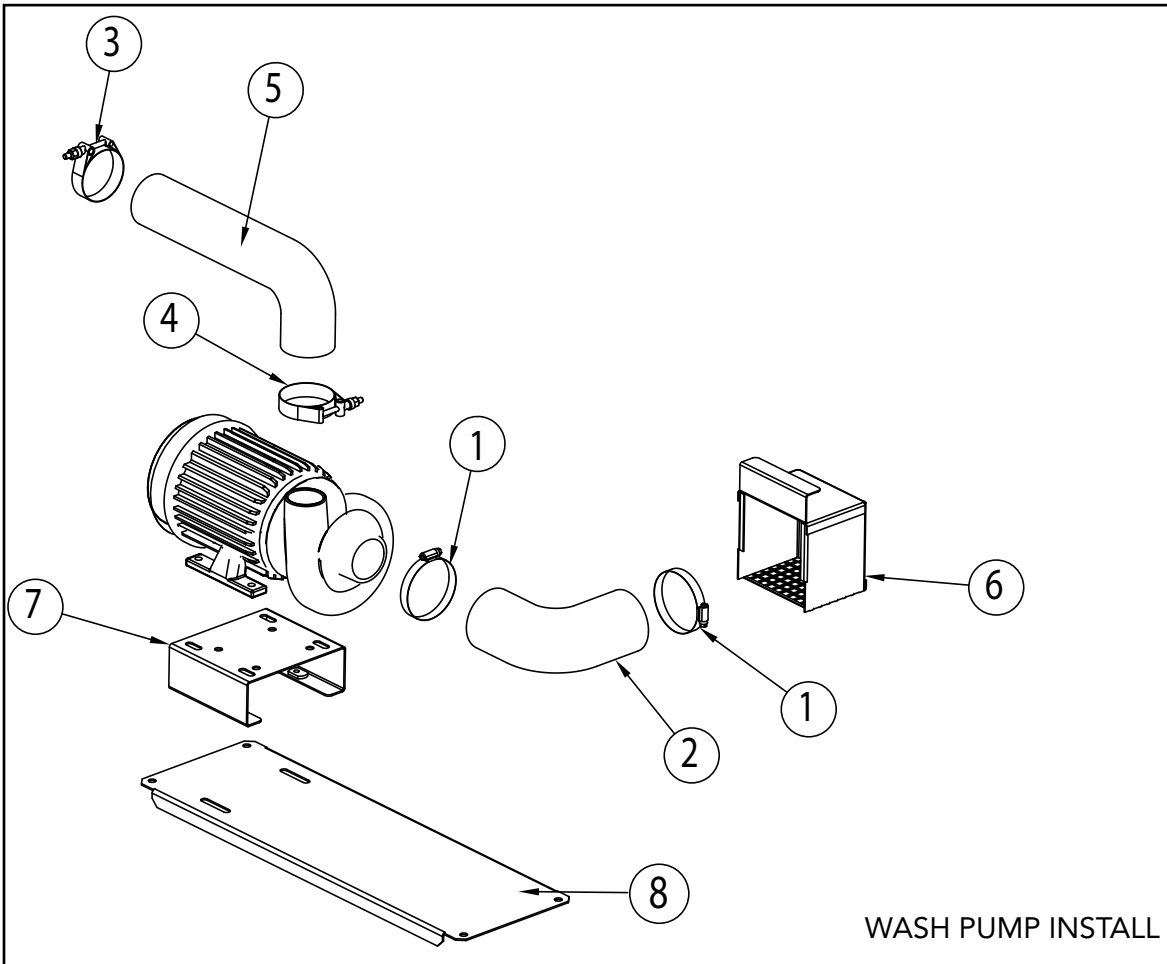
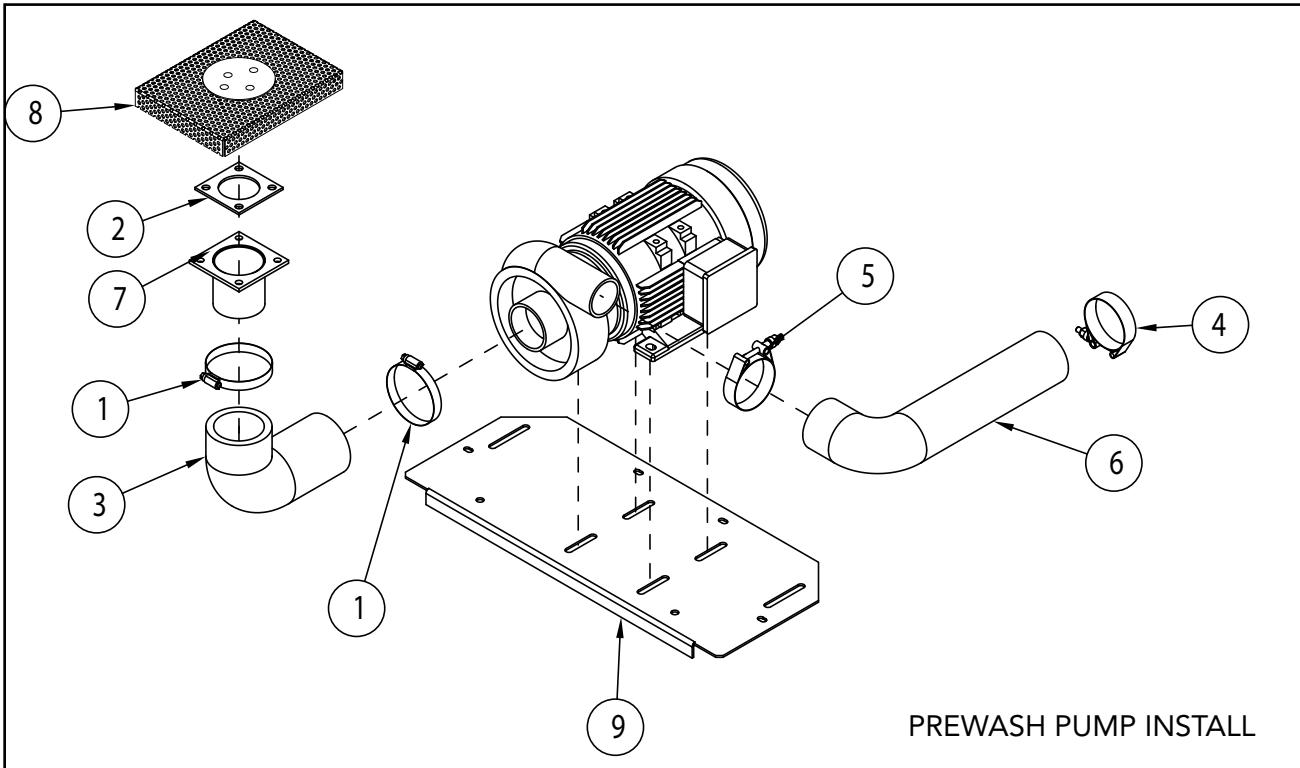
# Three Phase Wash/Prewash Pump and Motor



Three Phase Wash/Prewash Pump and Motor

| Item No. | Part No. | Description                       | Qty. |
|----------|----------|-----------------------------------|------|
| 1        | 117150   | PUMP/MOTOR 1HP, MV/3              | 1    |
| 1a       | 117151   | PUMP/MOTOR 1HP, 575/3             | 1    |
| 4        | 117152   | PUMP/MOTOR, 2HP, MV/3             | 1    |
| 4a       | 117153   | PUMP/MOTOR 2HP, 575/3             | 1    |
| 3        | 117290   | IMPELLER, 1HP                     | 1    |
| 6        | 117291   | IMPELLER, 2HP                     | 1    |
| 2        | 117292   | PUMP KIT, 1HP (EXCLUDES MOTOR)    | 1    |
| 5        | 117293   | PUMP KIT, 2HP (EXCLUDES MOTOR)    | 1    |
| 7        | 117164   | SEAL KIT, (FOR 1HP AND 2HP PUMPS) | A/R  |

## Pump Installations

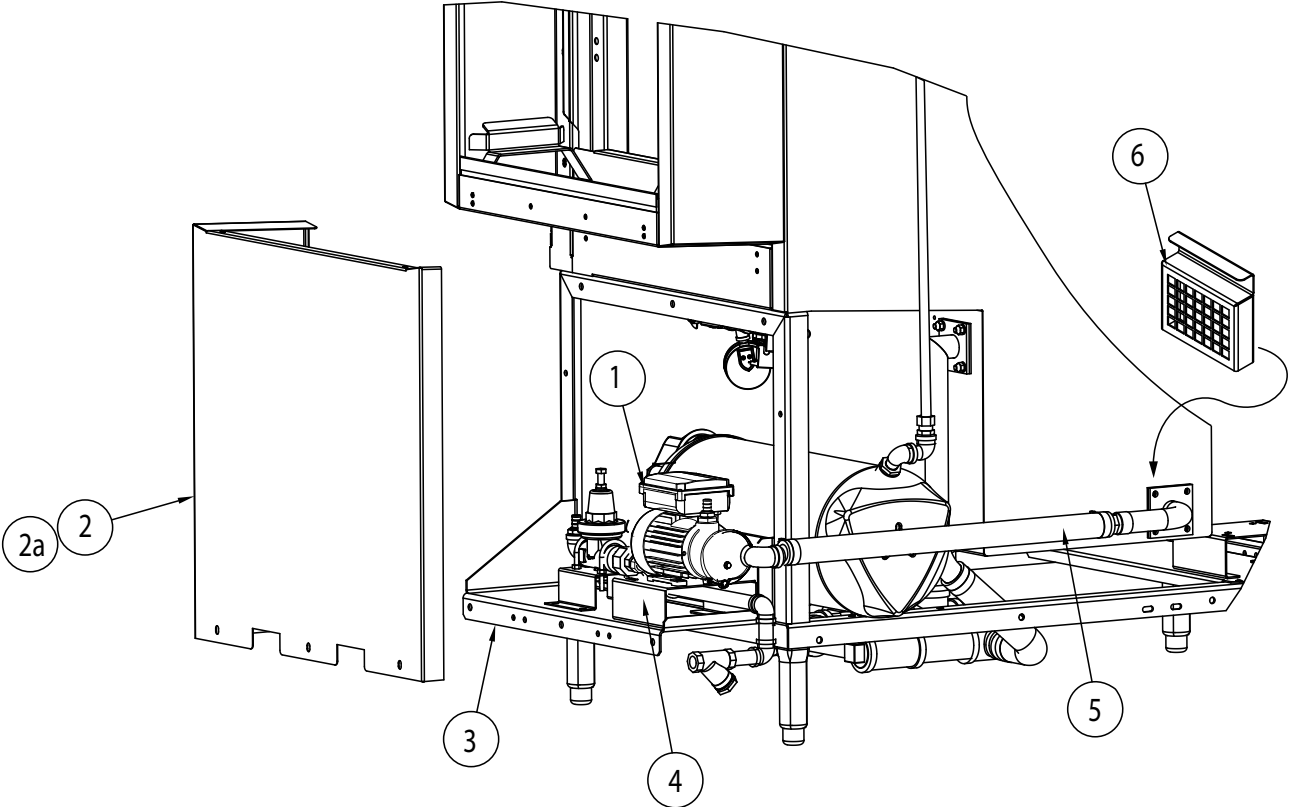




| Item No.        | Part No. | Description                       | Qty. |
|-----------------|----------|-----------------------------------|------|
| PREWASH INSTALL |          |                                   |      |
| 1               | 104203   | CLAMP, HOSE M52 GEAR-TYPE SST     | 2    |
| 2               | 108345   | GASKET                            | 1    |
| 3               | 109562   | HOSE, PUMP SUCTION                | 1    |
| 4               | 110858   | HOSE CLAMP, HIGH PRESSURE, T-BOLT | 1    |
| 5               | 111964   | HOSE CLAMP, HIGH PRESSURE, T-BOLT | 1    |
| 6               | 113731   | HOSE, PUMP DISCHARGE              | 1    |
| 7               | 307995   | FLANGE, SUCTION                   | 1    |
| 8               | 324580   | SCREEN, SUCTION                   | 1    |
| 9               | 337209   | PLATE, PUMP MOTOR SUPPORT 22PRO   | 1    |

|              |        |                                   |   |
|--------------|--------|-----------------------------------|---|
| WASH INSTALL |        |                                   |   |
| 1            | 104203 | CLAMP, HOSE M52 GEAR-TYPE SST     | 2 |
| 2            | 110372 | HOSE, PUMP SUCTION                | 1 |
| 3            | 110858 | HOSE CLAMP, HIGH PRESSURE, T-BOLT | 1 |
| 4            | 111964 | HOSE CLAMP, HIGH PRESSURE, T-BOLT | 1 |
| 5            | 113731 | HOSE, PUMP DISCHARGE              | 1 |
| 6            | 319742 | HOOD, PUMP SUCTION                | 1 |
| 7            | 337060 | BRACKET, PUMP MOTOR SUPPORT       | 1 |
| 8            | 337068 | PLATE, PUMP MOTOR SUPPORT         | 1 |

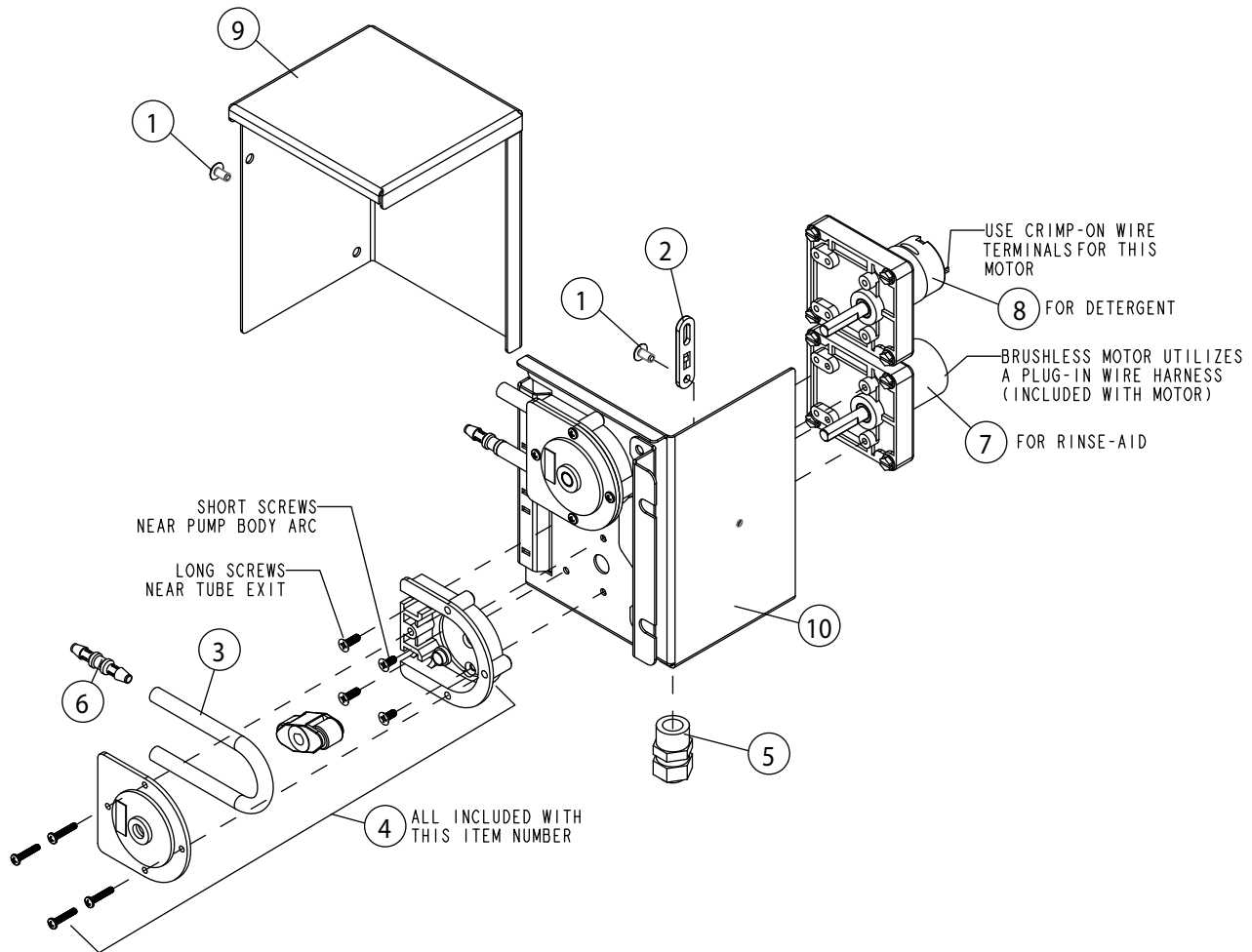
VHR Recirculation Pump Installation



## VHR Recirculation Pump Installation

| <b>Item No.</b> | <b>Part No.</b> | <b>Description</b>                            | <b>Qty.</b> |
|-----------------|-----------------|---|-------------|
| 1               | 117253          | VHR RECIRC PUMP/MOTOR ASSY., 1/6HP, 115V/60/1 | 1           |
| 2               | 337332          | PANEL, RECIRC PUMP COVER LR, FAS              | 1           |
| 2a              | 337332-2        | PANEL, RECIRC PUMP COVER RL, FOP              | 1           |
| 3               | 337331          | BASE, RECIRC PUMP                             | 1           |
| 4               | 337060          | BRACKET, PUMP SUPPORT                         | 1           |
| 5               | 207560          | HOSE, SUCTION VHR 1" ID X 21-1/4" LG. RED     | 1           |
| 6               | 337674          | STRAINER, RECIRC PUMP SUCTION                 | 1           |

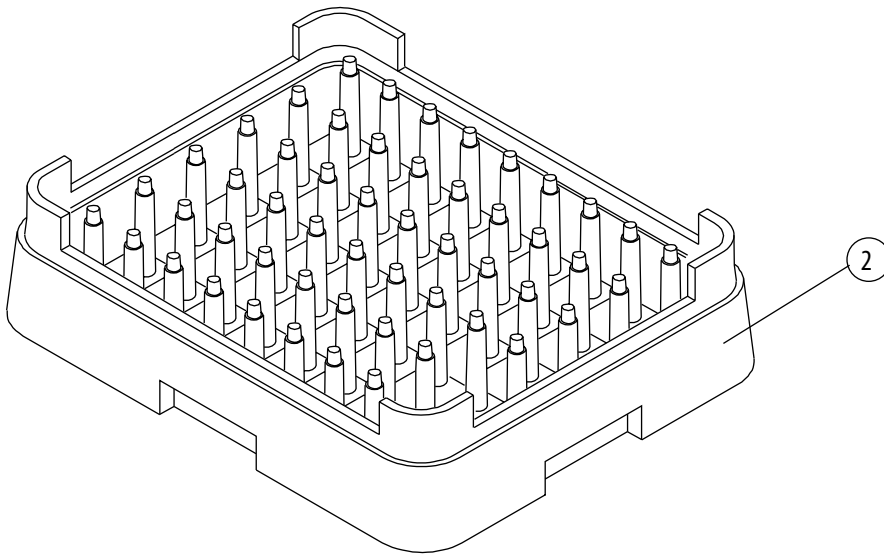
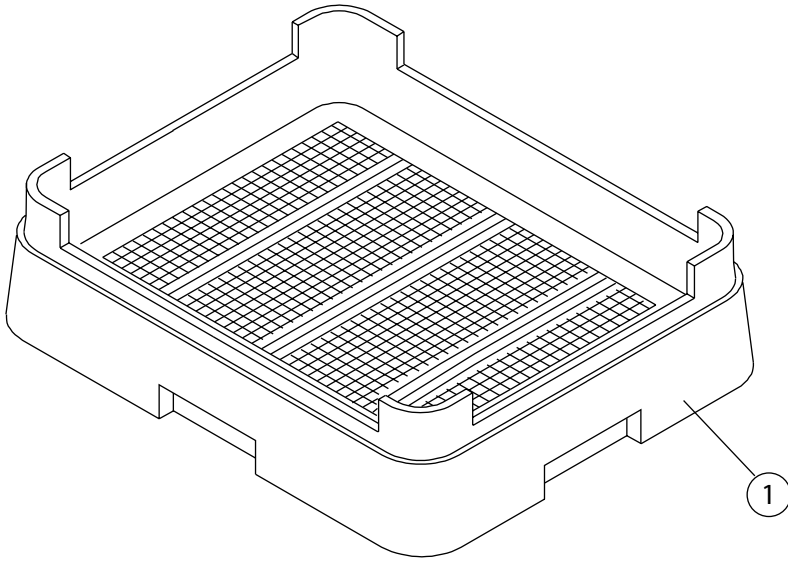
# Chemical Pump Assembly (Beginning with S/N RP20102891)



Chemical Pump Assembly (Beginning with S/N RP20102891)

| Item No. | Part No. | Description                                     | Qty. |
|----------|----------|---|------|
| 1        | 100007   | SCREW, TRUSS HEAD, 10-32 X 3/8" SST             | 3    |
| 2        | 106090   | PLATE, TIE, TP-2                                | 1    |
| 3        | 114202   | TUBE, SANTOPRENE, TPE6ON, 3/16" X 3/8" X 9" LG. | 2    |
| 4        | 114203   | HEAD, PUMP, PERISTALTIC KIT WITH ROLLERS        | 2    |
| 5        | 114365   | CORD, GRIP LIQUID TITE, W/LOCKNUT, 1/2" NPT     | 1    |
| 6        | 116979   | BARB, HOSE, 1/4" TO 1/4" POLYETHYLENE           | 2    |
| 7        | 117112   | GEARMOTOR, PERISTALTIC PUMP, 16RPM, 24VDC       | 1    |
| 8        | 117241   | GEARMOTOR, PERISTALTIC PUMP, 53RPM, 24VDC       | 1    |
| 9        | 339646   | COVER, CHEMICAL PUMP, PRO                       | 1    |
| 10       | 339647   | BOX, CHEMICAL PUMP, PRO                         | 1    |

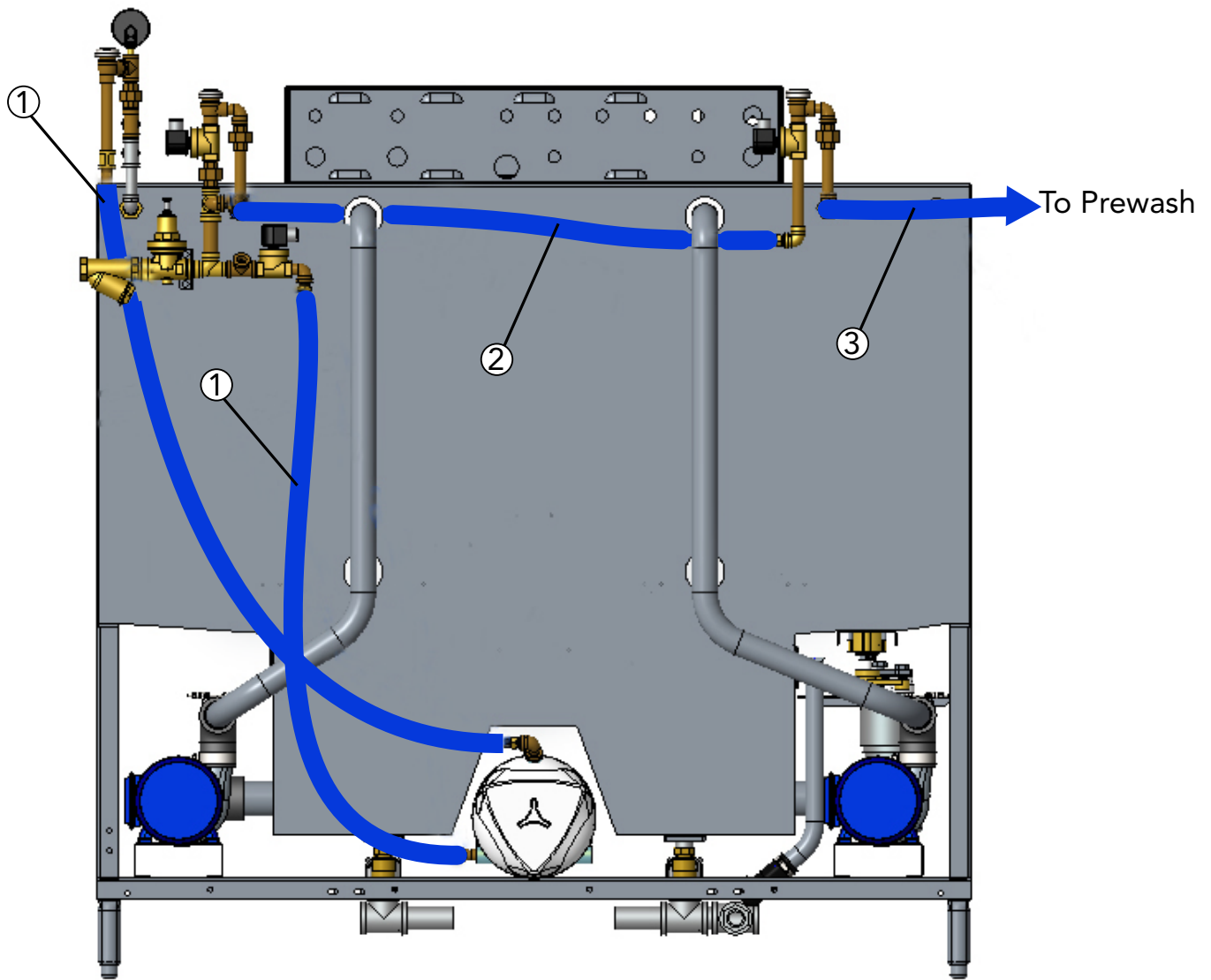
# Dish Racks



Dish Racks

| Item No. | Part No. | Description                           | Qty. |
|----------|----------|---------------------------------------|------|
| 1        | 101273   | DISH RACK, FLAT-BOTTOM                | A/R  |
| 2        | 101285   | DISH RACK, PEG                        | A/R  |
| -        | 114356   | RACK, SHEET PAN, OPEN END (Not Shown) | A/R  |

64PRO Standard Hose Plumbing Diagram (Prior to S/N RP20112924)

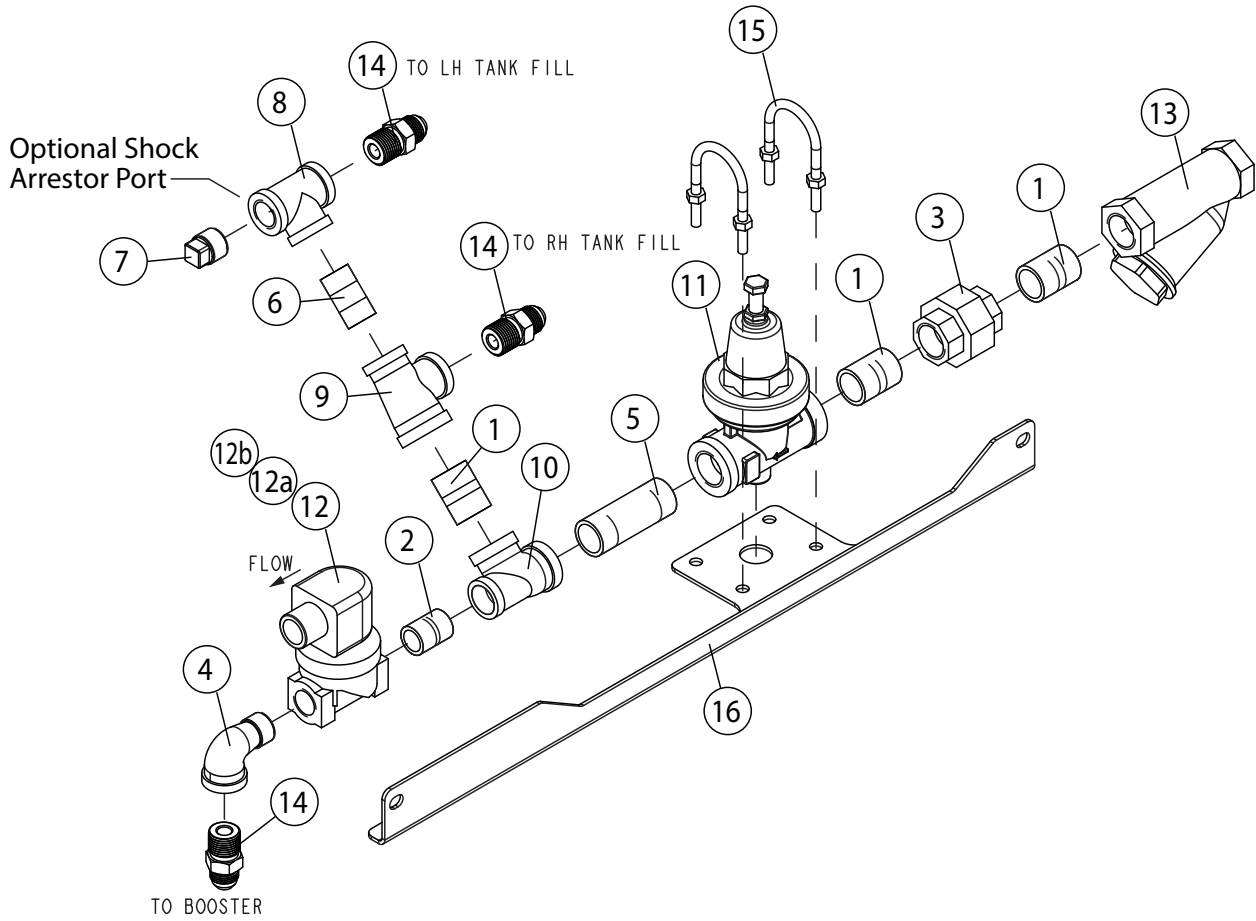




64PRO Standard Hose Plumbing Diagram (Prior to S/N RP20112924)

| Item No. | Part No. | Description                               | Qty. |
|----------|----------|---|------|
| 1        | 419012   | HOSE ASSY., 1/2"ID, X 60" LG., FLARE JIC  | 2    |
| 2        | 421091   | HOSE ASSY., 1/2"ID, X 39" LG., FLARE JIC  | 1    |
| 3        | 419228   | HOSE ASSY., 1/2" ID, X 12" LG., FLARE JIC | 1    |

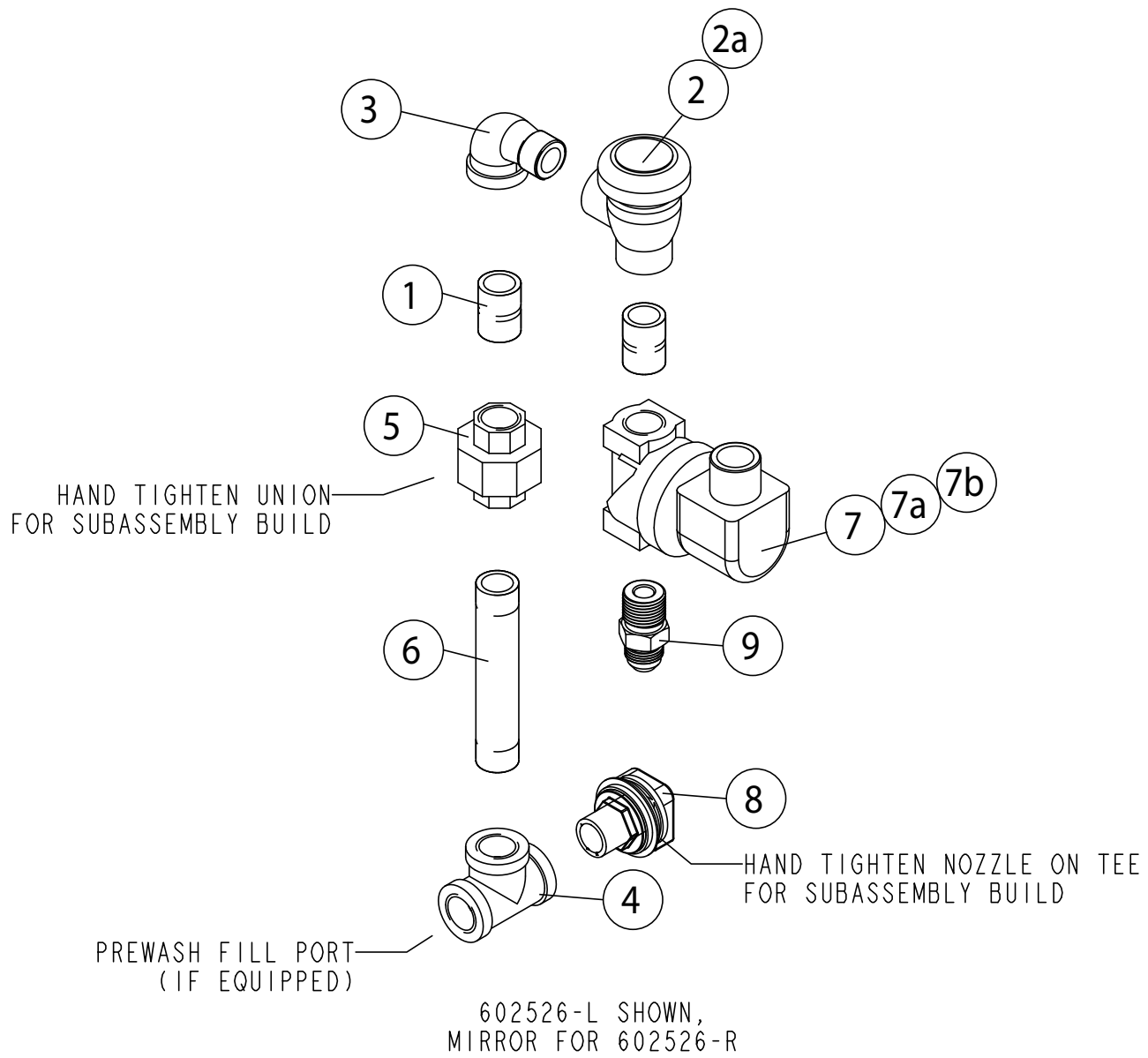
64PRO Main Piping Assembly with Booster (Beginning with S/N RP20112924)



**64PRO Main Piping Assembly with Booster (Beginning with S/N RP20112924)**

| <b>Item No.</b> | <b>Part No.</b> | <b>Description</b>                                | <b>Qty.</b> |
|-----------------|-----------------|---|-------------|
| 1               | 100184          | NIPPLE, 3/4" NPT X CLOSE, BRASS                   | 3           |
| 2               | 100209          | NIPPLE, 1/2" NPT X CLOSE, BRASS                   | 1           |
| 3               | 100571          | UNION, 3/4" NPT, BRASS                            | 1           |
| 4               | 102438          | ELBOW, STREET, 1/2" NPT X 90°, BRASS              | 1           |
| 5               | 102469          | NIPPLE, 3/4" NPT X 2-3/4" LG. BRASS               | 1           |
| 6               | 102485          | NIPPLE, 1/2" NPT X 1-1/2" LG. BRASS               | 1           |
| 7               | 102504          | PLUG, 1/2" NPT, SQ. HEAD, BRASS                   | 1           |
| 8               | 102514          | TEE, 1/2" NPT, BRASS                              | 1           |
| 9               | 102524          | TEE, RED., 3/4" X 1/2" X 1/2" NPT, BRASS          | 1           |
| 10              | 102525          | TEE, RED., 3/4" X 1/2" X 3/4" NPT BRASS           | 1           |
| 11              | 107550          | VALVE, PRESSURE, REGULATING, 3/4" NPT, BRONZE     | 1           |
| 12              | 109886          | VALVE, SOLENOID, 1/2" NPT HW PARKER               | 1           |
| 12a             | 109902          | KIT, REPAIR VALVE, 1/2"                           | A/R         |
| 12b             | 108516          | COIL, SOLENOID VALVE, 1/2" 120VAC                 | A/R         |
| 13              | 110768          | STRAINER, LINE, 3/4" NPT BRASS                    | 1           |
| 14              | 115101          | COUPLING, MALE, 1/2" NPT X 1/2" 37D FLARE JIC, BR | 3           |
| 15              | 115169          | U-BOLT, 1/4-20 X 1-3/8" LG. THREADED, X 1/2" OD   | 2           |
| 16              | 339984          | BRACKET, MOUNTING, MAIN CONNECT PLBG.             | 1           |

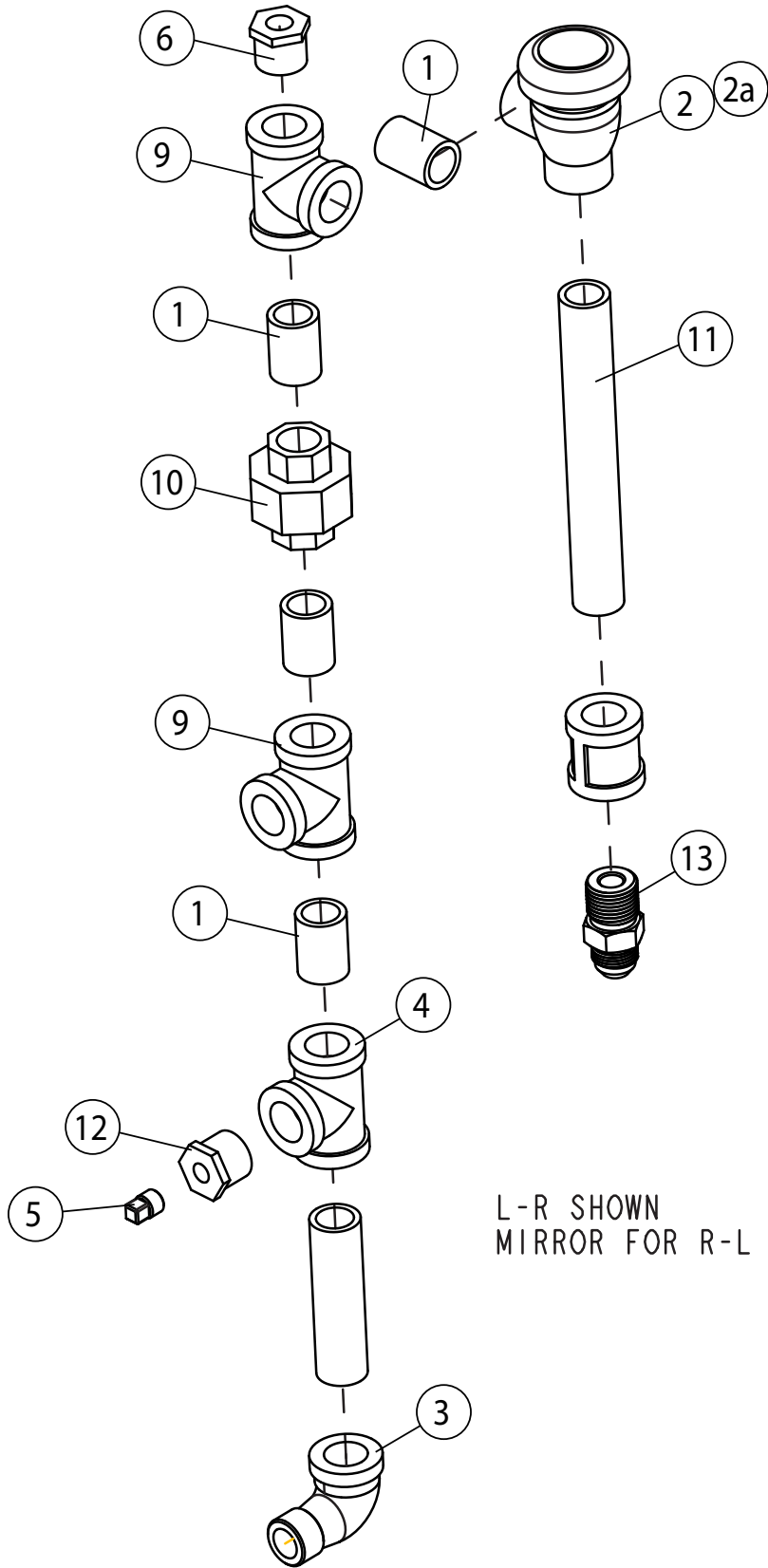
64PRO Fill Piping Assembly (Beginning with S/N RP20112924)



**64PRO Fill Piping Assembly (Beginning with S/N RP20112924)**

| <b>Item No.</b> | <b>Part No.</b> | <b>Description</b>                                | <b>Qty.</b> |
|-----------------|-----------------|---|-------------|
| 1               | 100209          | NIPPLE, 1/2" NPT X CLOSE, BRASS                   | 2           |
| 2               | 100500          | BREAKER, VACUUM, 1/2" NPT, BRONZE                 | 1           |
| 2a              | 900836          | KIT, VACUUM BREAKER, 1/2"                         | A/R         |
| 3               | 102438          | ELBOW, STREET, 1/2" NPT X 90°, BRASS              | 1           |
| 4               | 102514          | TEE, 1/2" NPT, BRASS                              | 1           |
| 5               | 102549          | UNION, 1/2" NPT, BRASS                            | 1           |
| 6               | 102571          | NIPPLE, 1/2" NPT, BRASS                           | 1           |
| 7               | 109886          | VALVE, SOLENOID, 1/2" NPT, HW PARKER              | 1           |
| 7a              | 109902          | KIT, REPAIR VALVE, 1/2"                           | A/R         |
| 7b              | 108516          | COIL, SOLENOID VALVE, 1/2", 120VAC                | A/R         |
| 8               | 111325          | NOZZLE, FLUSHING, POLISHED CHROME                 | 1           |
| 9               | 115101          | COUPLING, MALE, 1/2" NPT X 1/2" 37D FLARE JIC, BR | 1           |

64PRO Final Rinse Piping Assembly (Beginning with S/N RP20112924)

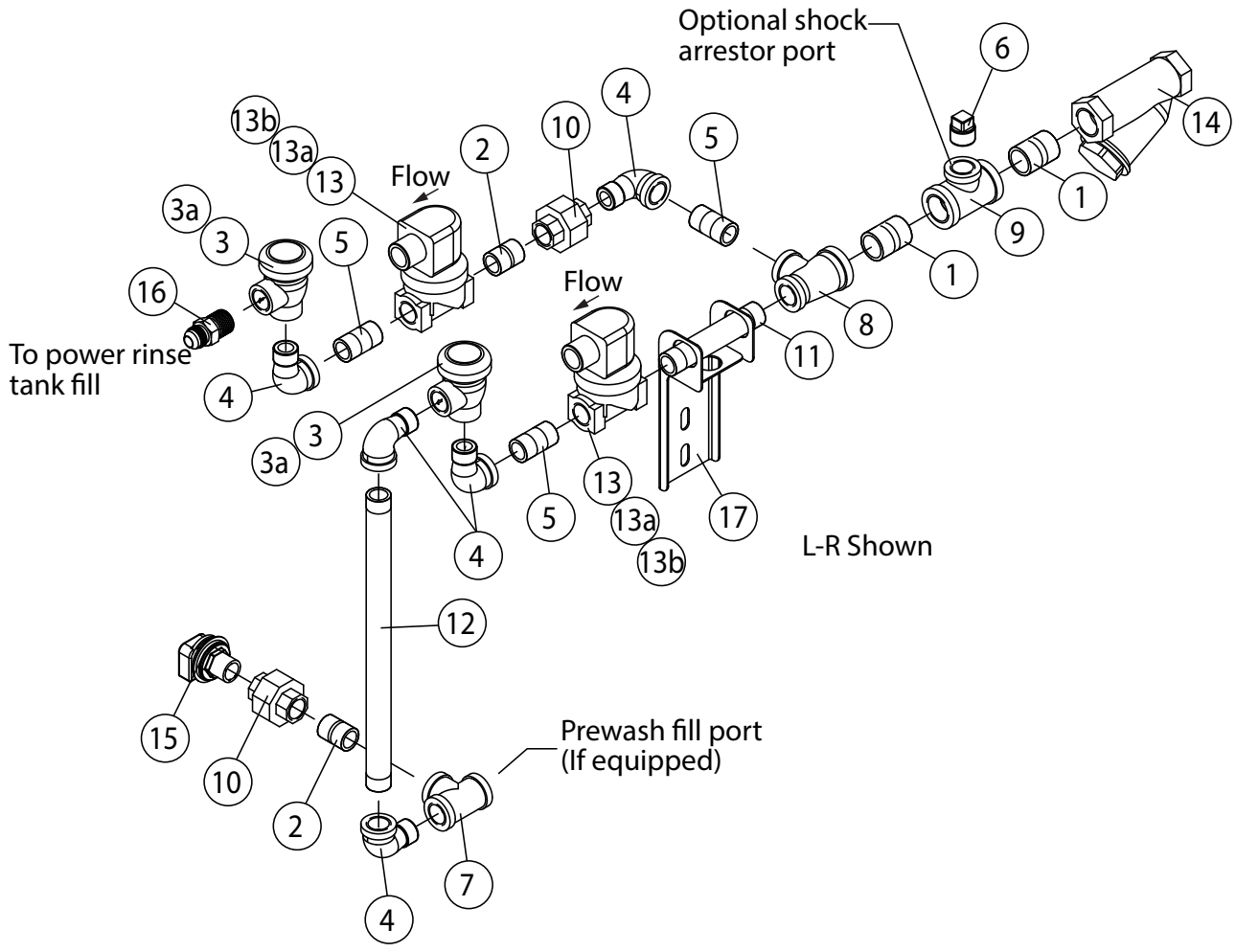


L-R SHOWN  
MIRROR FOR R-L

**64PRO Final Rinse Piping Assembly (Beginning with S/N RP20112924)**

| <b>Item No.</b> | <b>Part No.</b> | <b>Description</b>                                | <b>Qty.</b> |
|-----------------|-----------------|---|-------------|
| 1               | 100209          | NIPPLE, 1/2" NPT X CLOSE, BRASS                   | 4           |
| 2               | 100500          | BREAKER, VACUUM, 1/2" NPT, BRONZE                 | 1           |
| 2a              | 900836          | KIT, VACUUM BREAKER, 1/2"                         | A/R         |
| 3               | 100516          | STREET, ELBOW, 1/2" NPT X 90°, SST                | 1           |
| 4               | 100554          | TEE, 1/2" NPT SST                                 | 1           |
| 5               | 101259          | PLUG, 1/8" NPT SQ. HEAD, BRASS                    | 1           |
| 6               | 102388          | BUSHING, REDUCING, 1/2" NPT X 1/4" NPT BRASS      | 1           |
| 7               | 102412          | COUPLING, BRASS                                   | 1           |
| 8               | 102463          | NIPPLE, 1/2" NPT X 3" LG. SST                     | 1           |
| 9               | 102514          | TEE, 1/2" NPT, BRASS                              | 2           |
| 10              | 102549          | UNION, 1/2" NPT, BRASS                            | 1           |
| 11              | 102578          | NIPPLE, 1/2" NPT X 6" LG., BRASS                  | 1           |
| 12              | 114717          | BUSHING, REDUCING, 1/2" NPT X 1/8" NPT, SST       | 1           |
| 13              | 115101          | COUPLING, MALE, 1/2" NPT X 1/2" 37D FLARE JIC, BR | 1           |

# 64PRO-VHR Fill Piping Assembly (Beginning TBD)

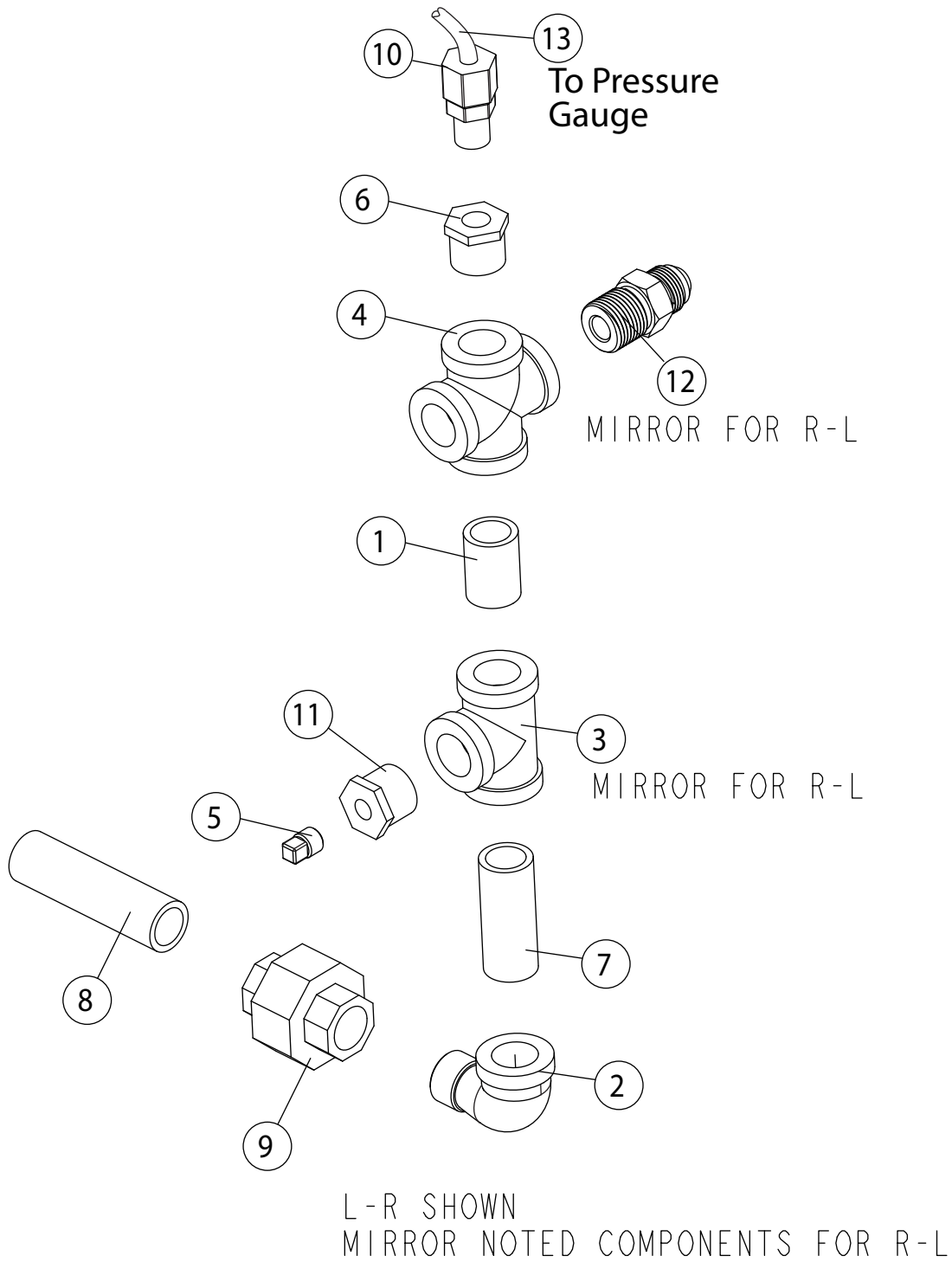




64PRO-VHR Fill Piping Assembly (Beginning TBD)

| Item No. | Part No. | Description  | Qty. |
|----------|----------|--|------|
| 1        | 100184   | NIPPLE, 3/4" NPT X CLOSE, BRASS                    | 2    |
| 2        | 100209   | NIPPLE, 1/2" NPT X CLOSE, BRASS                    | 2    |
| 3        | 100500   | BREAKER, VACUUM, 1/2" NPT BRONZE                   | 2    |
| 3a       | 900836   | KIT, VACUUM BREAKER, 1/2"                          | A/R  |
| 4        | 102438   | ELBOW, STREET, 1/2" NPT X 90° BRASS                | 2    |
| 5        | 102485   | NIPPLE, 1/2" NPT X 1-1/2" LG. BRASS                | 5    |
| 6        | 102504   | PLUG, 1/2" NPT, SQ. HEAD, BRASS                    | 1    |
| 7        | 102514   | TEE, 1/2" NPT, BRASS                               | 1    |
| 8        | 102524   | TEE, RED. 3/4" X 1/2" X 1/2" NPT, BRASS            | 1    |
| 9        | 102526   | TEE, RED. 3/4" X 3/4" X 1/2" NPT, BRASS            | 1    |
| 10       | 102549   | UNION, 1/2" NPT, BRASS                             | 2    |
| 11       | 102571   | NIPPLE, 1/2" NPT X 4-1/4" LG., BRASS               | 1    |
| 12       | 102594   | NIPPLE, 1/2" NPT X 12" LG., BRASS                  | 1    |
| 13       | 109886   | VALVE, SOLENOID, 1/2" NPT, HW PARKER               | 2    |
| 13a      | 109902   | KIT, REPAIR VALVE, 1/2"                            | A/R  |
| 13b      | 108516   | COIL, SOLENOID VALVE, 1/2" 120VAC                  | A/R  |
| 14       | 110768   | STRAINER, LINE, 3/4" NPT BRASS                     | 1    |
| 15       | 111325   | NOZZLE, FLUSHING, POLISHED CHROME                  | 1    |
| 16       | 115101   | COUPLING, MALE, 1/2" NPT X 1/2" 37D, FLARE JIC, BR | 1    |
| 17       | 339983   | BRACKET, FILL PIPING/VACUUM BREAKER                | 1    |

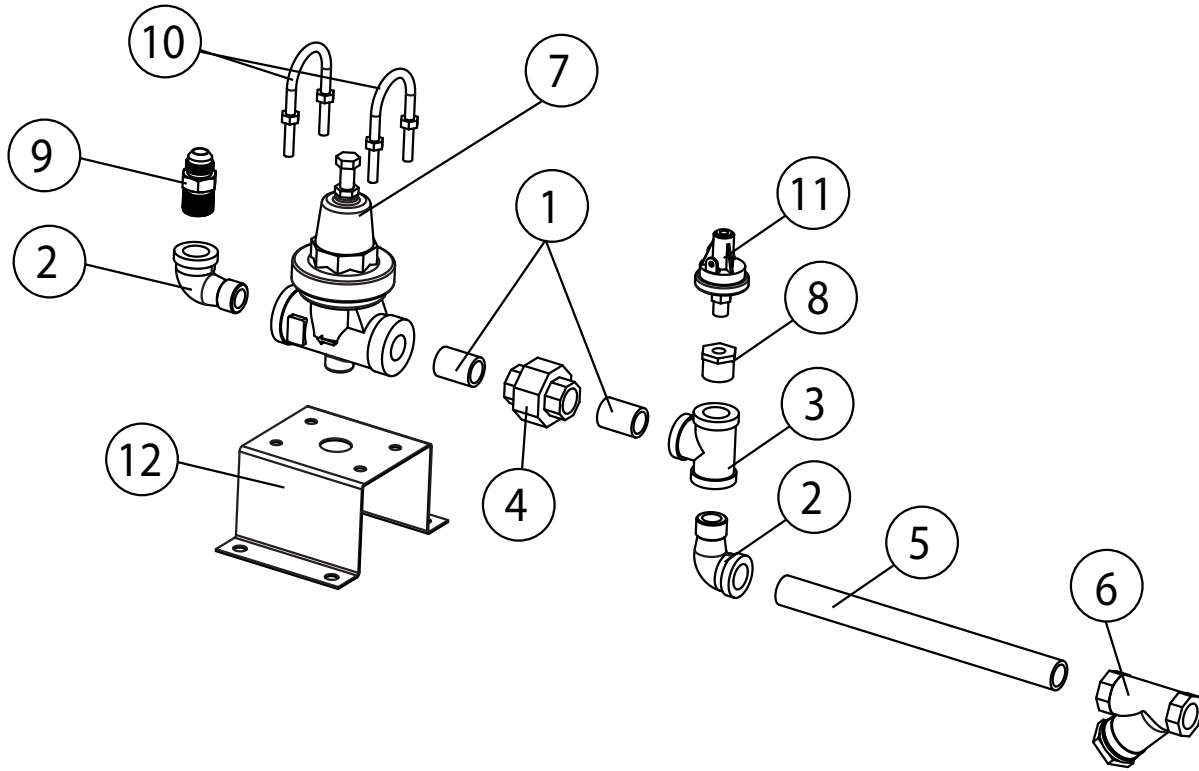
64PRO-VHR Final Rinse Piping Assembly (Beginning TBD)



64PRO-VHR Final Rinse Piping Assembly (Beginning TBD)

| Item No. | Part No. | Description  | Qty.  |
|----------|----------|--|-------|
| 1        | 100209   | NIPPLE, 1/2" NPT, X CLOSE, BRASS                   | 1     |
| 2        | 100516   | STREET, ELBOW, 1/2" NPT X 90°, SST                 | 1     |
| 3        | 100554   | TEE, 1/2" NPT, SST                                 | 1     |
| 4        | 100598   | CROSS, 1/2" NPT, BRASS                             | 1     |
| 5        | 101259   | PLUG, 1/8" NPT SQ. HEAD, BRASS                     | 1     |
| 6        | 102388   | BUSHING, REDUCING, 1/2" NPT X 1/4" NPT, BRASS      | 1     |
| 7        | 102461   | NIPPLE, 1/2"NPT X 2" LG., SST                      | 1     |
| 8        | 102463   | NIPPLE, 1/2" NPT X 3" LG. SST                      | 1     |
| 9        | 102550   | UNION, 1/2" NPT, SST                               | 1     |
| 10       | 107065   | ADAPTER, 1/4" OD X 1/4" MPT, PLASTIC               | 1     |
| 11       | 114717   | BUSHING, REDUCING, 1/2" NPT X 1/8" NPT SST         | 1     |
| 12       | 115101   | COUPLING, MALE, 1/2" NPT X 1/2" 37D, FLARE JIC, BR | 1     |
| 13       | 107414   | TUBING, 1/4" HIGH DENSITY                          | 8 FT. |

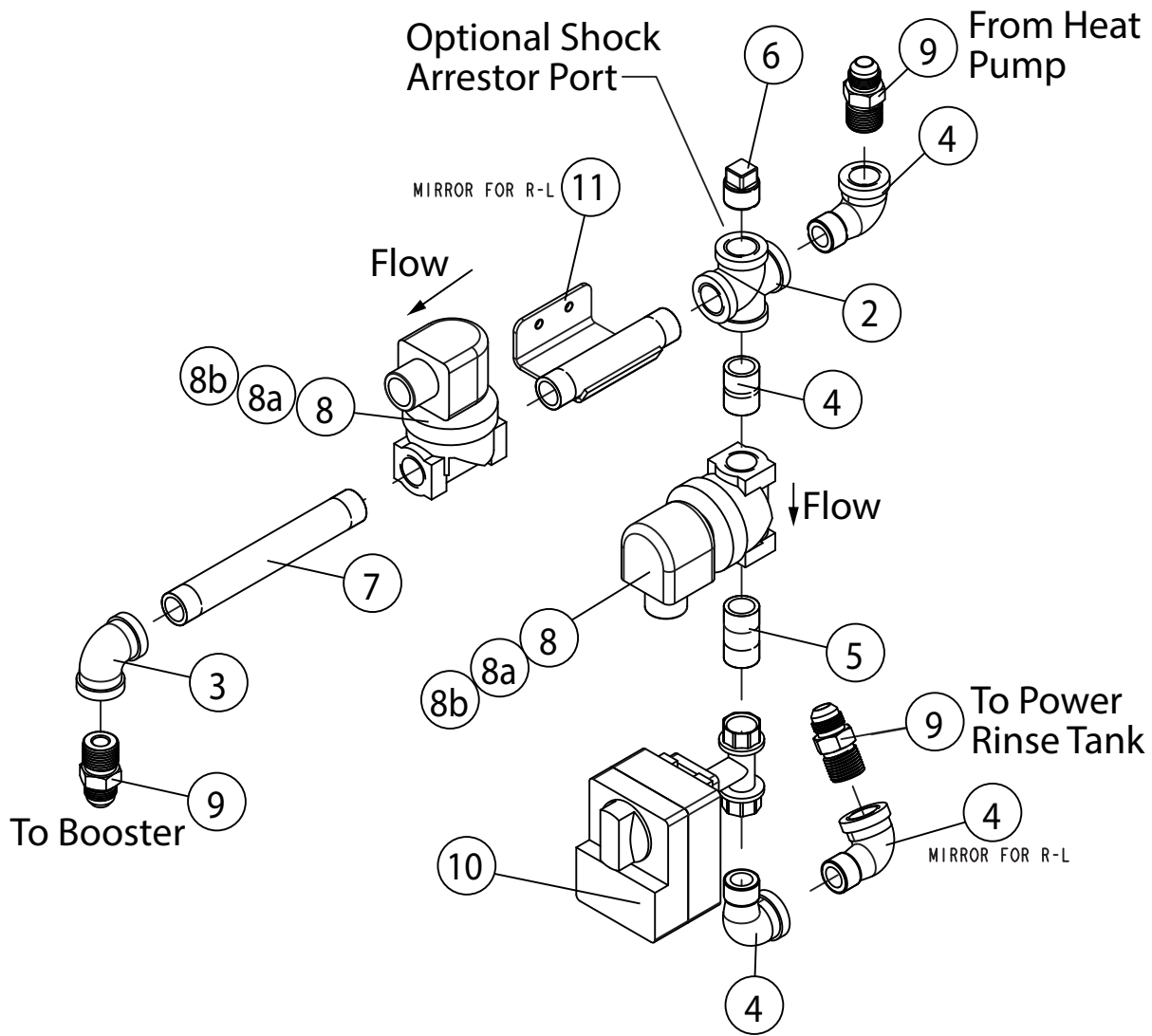
64PRO-VHR Heat Pump Cold Water Inlet (Beginning TBD)



64PRO-VHR Heat Pump Cold Water Inlet (Beginning TBD)

| Item No. | Part No. | Description  | Qty. |
|----------|----------|--|------|
| 1        | 100209   | NIPPLE, 1/2" NPT, X CLOSE, BRASS                   | 2    |
| 2        | 102438   | ELBOW, STREET, 1/2" X 90°, BRASS                   | 2    |
| 3        | 102514   | TEE, 1/2" NPT, BRASS                               | 1    |
| 4        | 102549   | UNION, 1/2" NPT, BRASS                             | 1    |
| 5        | 102585   | NIPPLE, 1/2" NPT X 9" LG., BRASS                   | 1    |
| 6        | 104421   | STRAINER, LINE 1/2" NPT, BRONZE                    | 1    |
| 7        | 108265   | VALVE, PRESSURE REGULATING, 1/2" NPT , BRONZE      | 1    |
| 8        | 114717   | BUSHING, REDUCING, 1/2" NPT X 1/8" NPT , SST       | 1    |
| 9        | 115101   | COUPLING, MALE, 1/2" NPT X 1/2" 37D, FLARE JIC, BR | 1    |
| 10       | 115169   | U-BOLT, 1/4-20 X 1-3/8" LG. THREADED, X 1-1/2" OD  | 2    |
| 11       | 117073   | SWITCH, PRESSURE, 15 PSI SET POINT, 1/8" MNPT NO   | 1    |
| 12       | 339878   | BRACKET, PRV SUPPORT, CW                           | 1    |

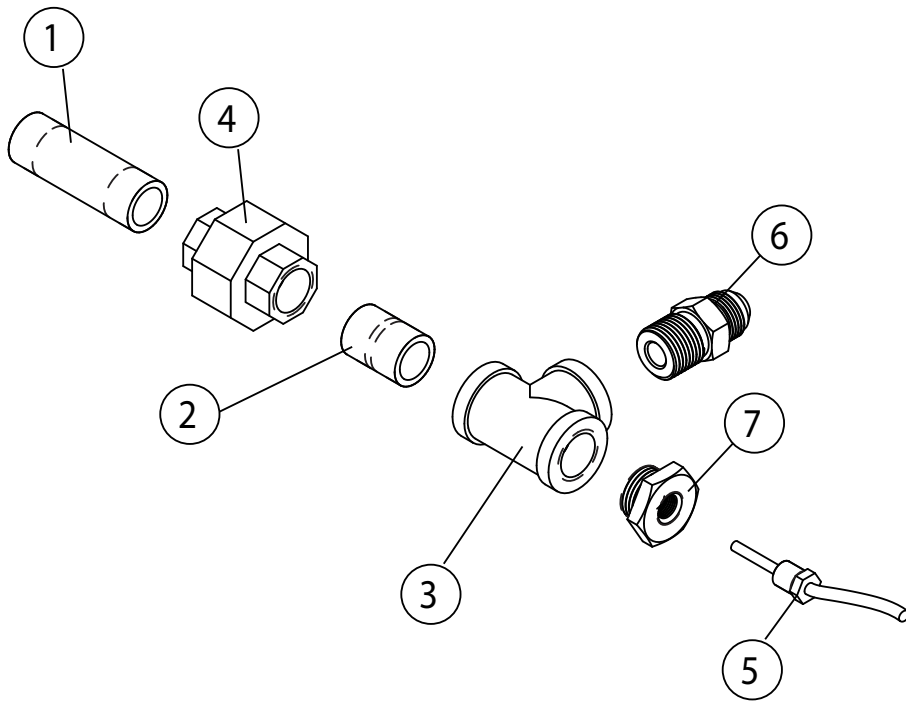
64PRO-VHR Auto-modulating Discharge Valve Piping Assembly (Beginning TBD)



**64PRO-VHR Auto-modulating Discharge Valve Piping Assembly (Beginning TBD)**

| <b>Item No.</b> | <b>Part No.</b> | <b>Description</b>                                 | <b>Qty.</b> |
|-----------------|-----------------|--|-------------|
| 1               | 100209          | NIPPLE, 1/2" NPT, X CLOSE, BRASS                   | 2           |
| 2               | 100598          | CROSS, 1/2" NPT BRASS                              | 1           |
| 3               | 102435          | ELBOW, 1/2" NPT X 90°, BRASS                       | 1           |
| 4               | 102438          | ELBOW, STREET, 1/2" NPT X 90°, BRASS               | 3           |
| 5               | 102485          | NIPPLE, 1/2" NPT X 1-1/2" LG. BRASS                | 1           |
| 6               | 102504          | PLUG, 1/2" NPT SQ. HEAD, BRASS                     | 1           |
| 7               | 102578          | NIPPLE, 1/2" NPT X 6" LG. BRASS                    | 1           |
| 8               | 109866          | VALVE, SOLENOID, 1/2"NPT, HW PARKER                | 2           |
| 8a              | 109902          | KIT, REPAIR VALV10000E, 1/2"                       | A/R         |
| 8b              | 108516          | COIL, SOLENOID VALVE, 120VAC                       | A/R         |
| 9               | 115101          | COUPLING, MALE, 1/2" NPT X 1/2" 37D, FLARE JIC, BR | 3           |
| 10              | 116935          | VALVE, MODULATING, DISCHARGE, VHR                  | 1           |
| 11              | 339880          | MOUNT, BASE, PRO PIPING ASSEMBLY                   | 1           |

## 64 PRO HRU Connect Piping Assembly

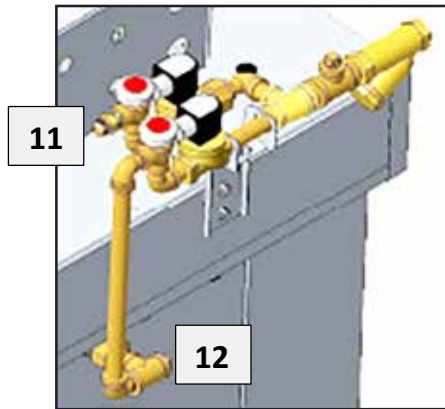




## 64 PRO HRU Connect Piping Assembly

| Item No. | Part No. | Description  | Qty. |
|----------|----------|--|------|
| 1        | 100206   | NIPPLE, 1/2" NPT X 2-1/2" LG. BRASS                | 1    |
| 2        | 100209   | NIPPLE, 1/2" NPT, X CLOSE, BRASS                   | 1    |
| 3        | 102514   | TEE, 1/2" NPT, BRASS                               | 1    |
| 4        | 102549   | UNION, 1/2" NPT, BRASS                             | 1    |
| 5        | 114435   | THERMISTOR, 10K $\Omega$ , 36" LEAD                | 1    |
| 6        | 115101   | COUPLING, MALE, 1/2" NPT X 1/2" 37D, FLARE JIC, BR | 1    |
| 7        | 115530   | ADAPTER, THERMOMETER, DIGITAL                      | 1    |

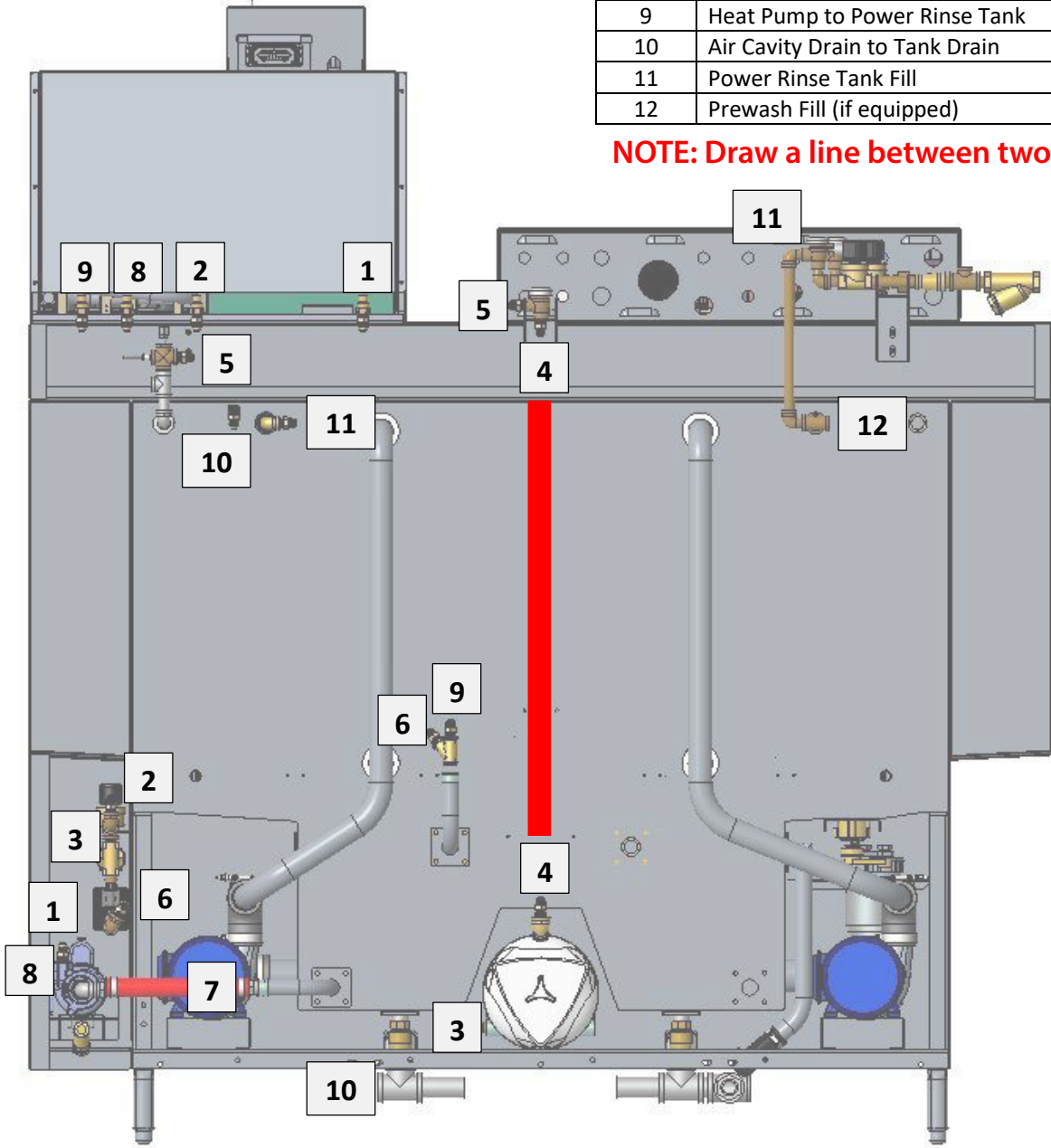
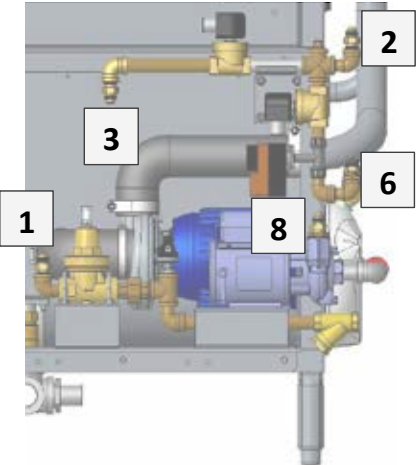
**This Page  
Intentionally  
Left Blank**



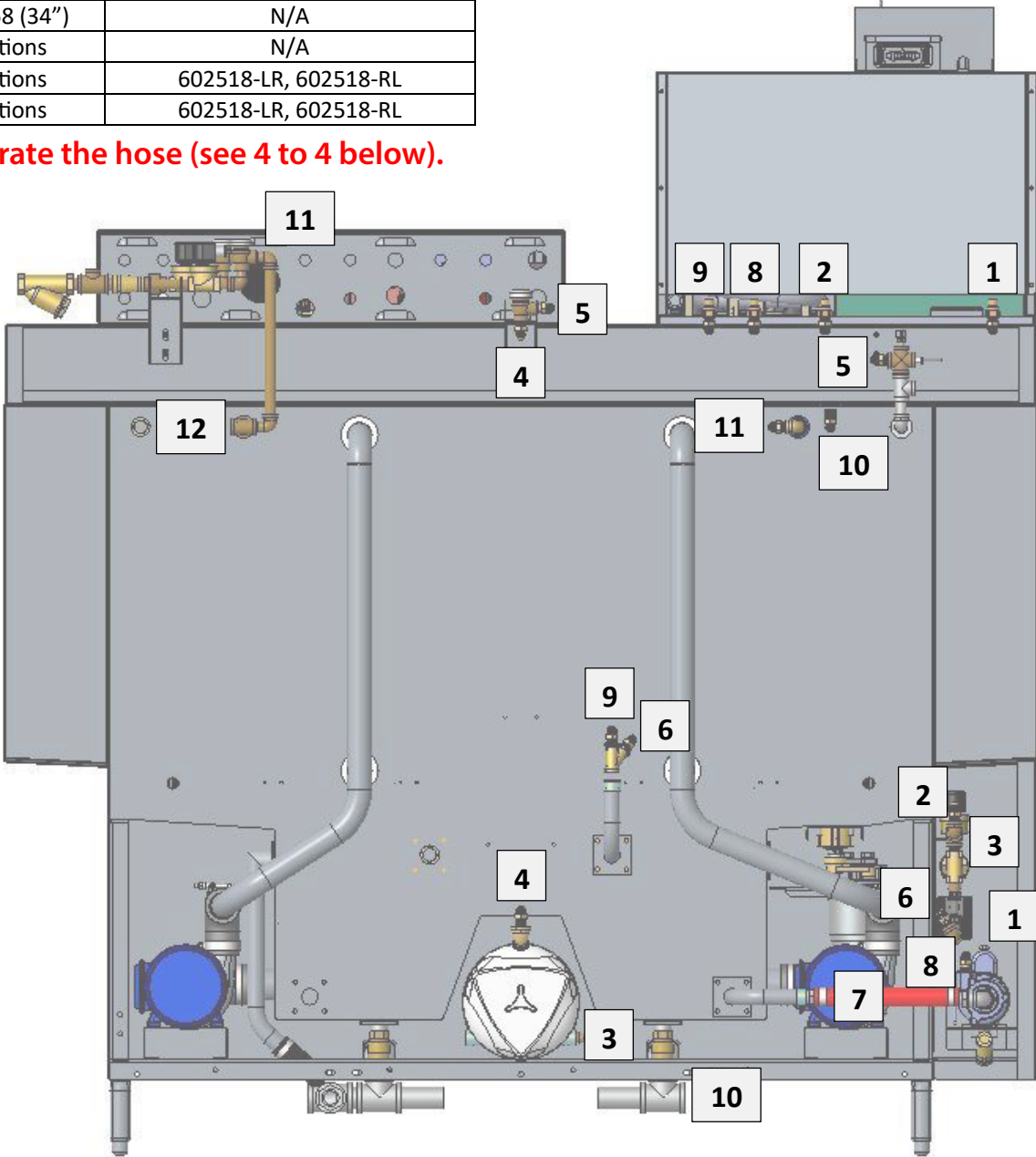
64PRO-VHR Hose Plumbing Diagram

| Hose # | Hose Description                       | L-R Machine                      | R-L Machine  | Reference Piping Drawings |
|--------|--|----------------------------------|--------------|---------------------------|
| 1      | Cold Inlet to Heat Pump                | 419007 (70")                     | 419973 (64") | 602513                    |
| 2      | Heat Pump to FR/Mod Valve Piping       | 420537 (40") both directions     |              | 602517                    |
| 3      | FR/Mod Valve Piping to Booster         | 419468 (34") both directions     |              | 602517                    |
| 4      | Booster to FR Vacuum Breaker           | 419469 (48") both directions     |              | 421300                    |
| 5      | FR Vacuum Breaker to FR Piping         | 421079 (25") both directions     |              | 602522                    |
| 6      | Modulating Valve to Power Rinse Tank   | 421043 (30") both directions     |              | 602517                    |
| 7      | Power Rinse Tank to Recirculation Pump | 207823 (11-1/4") both directions |              | N/A                       |
| 8      | Recirculation Pump to Heat Pump        | 420533 (50") both directions     |              | N/A                       |
| 9      | Heat Pump to Power Rinse Tank          | 419003 (46")                     | 419468 (34") | N/A                       |
| 10     | Air Cavity Drain to Tank Drain         | 420539 (68") both directions     |              | N/A                       |
| 11     | Power Rinse Tank Fill                  | 420987 (43") both directions     |              | 602518-LR, 602518-RL      |
| 12     | Prewash Fill (if equipped)             | 419228 (12") both directions     |              | 602518-LR, 602518-RL      |

NOTE: Draw a line between two matching numbers to illustrate the hose (see 4 to 4 below).

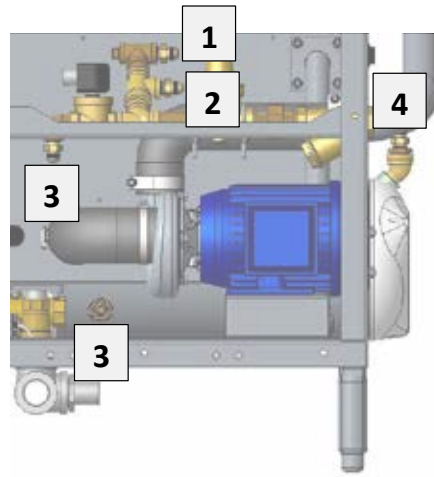


L-R Machine



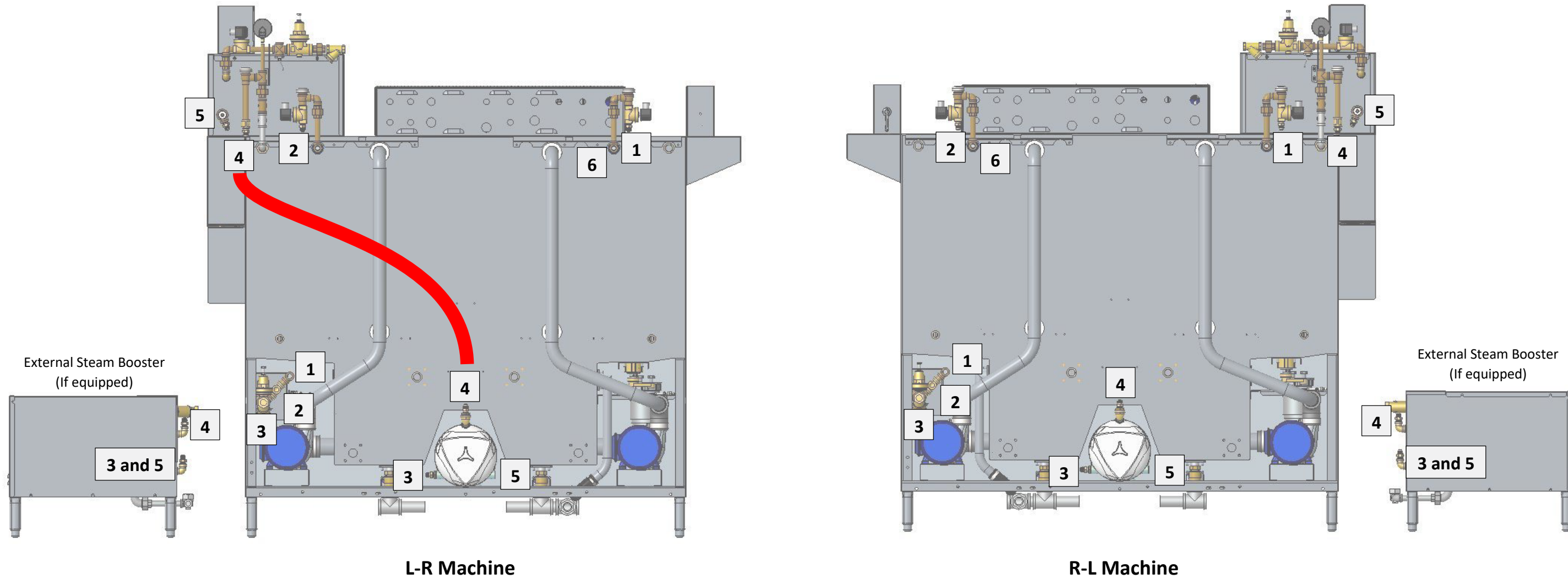
R-L Machine

### 64PRO Hose Plumbing Diagram, With Booster, Standard or Hi-Hood



| Hose # | Hose Description            | L-R Machine                  |                        | R-L Machine      |                        | Reference Piping Drawings      |
|--------|-----------------------------|------------------------------|------------------------|------------------|------------------------|--------------------------------|
|        |                             | Electric Booster             | External Steam Booster | Electric Booster | External Steam Booster |                                |
| 1      | LH Tank Fill                | 419013 (80") all versions    |                        |                  |                        | 602526, 602534                 |
| 2      | RH Tank Fill                | 421327 (52") all versions    |                        |                  |                        | 602526, 602534                 |
| 3      | Booster Feed                | 421043 (30")                 | 419007 (70")           | 421043 (30")     | 421326 (105")          | 602534                         |
| 4      | Final Rinse                 | 419010 (56")                 | 419007 (70")           | 419010 (56")     | 419007 (70")           | 421027, 602435, 421097 (steam) |
| 5      | Heat Recovery (if equipped) | 420980 (75")                 | 419007 (70")           | 420980 (75")     | 419007 (70")           | 421027, 602436 421097 (steam)  |
| 6      | Prewash Fill (if equipped)  | 419228 (12") both directions |                        |                  |                        | 602526                         |

**NOTE:** Draw a line between two matching numbers to illustrate the hose (see 4 to 4 below).



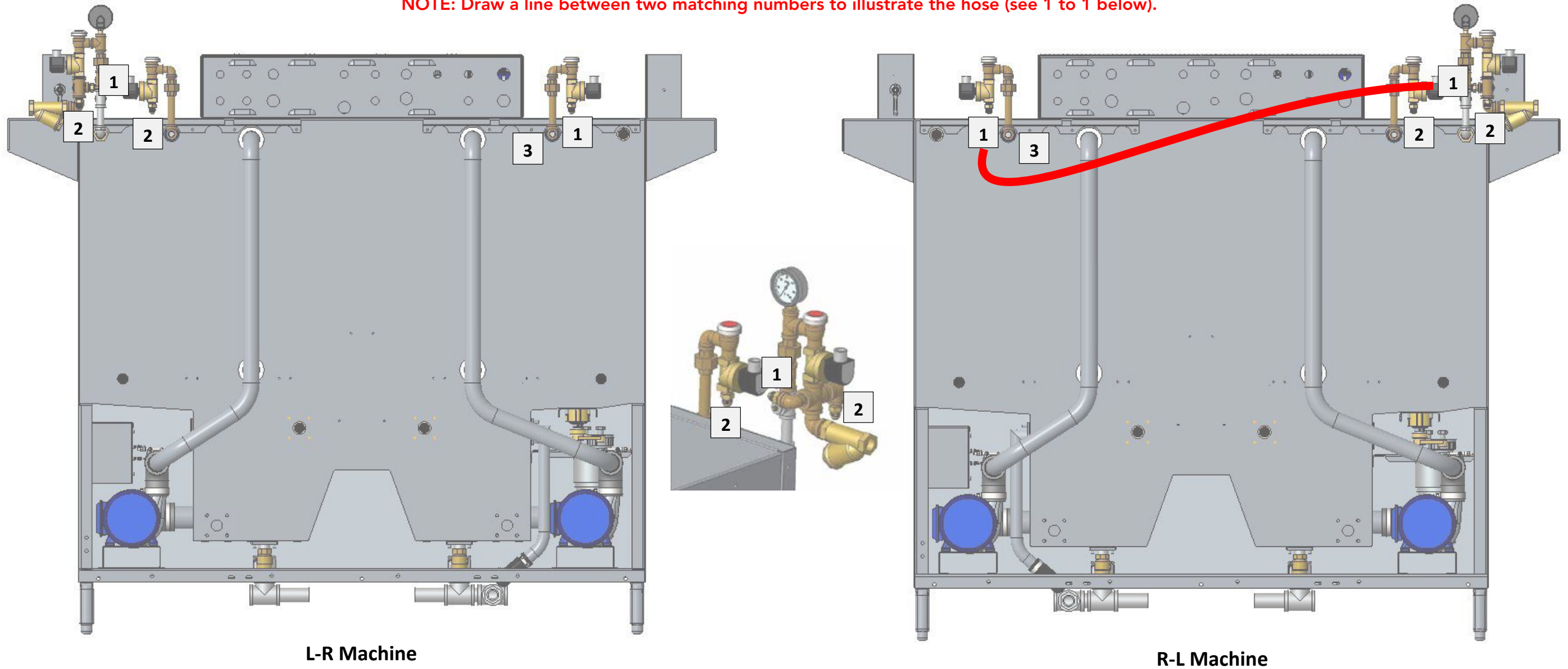
L-R Machine

R-L Machine

### 64PRO Hose Plumbing Diagram, No Booster

| Hose # | Hose Description           | L-R Machine                  | R-L Machine | Reference Piping Drawings |
|--------|----------------------------|------------------------------|-------------|---------------------------|
| 1      | Wash Tank Fill             | 419012 (60") both directions |             | 602526, 602535            |
| 2      | Power Rinse Tank Fill      | 421307 (18") both directions |             | 602526, 602535            |
| 3      | Prewash Fill (if equipped) | 419228 (12") both directions |             | 602526                    |

**NOTE: Draw a line between two matching numbers to illustrate the hose (see 1 to 1 below).**



**This Page  
Intentionally  
Left Blank**