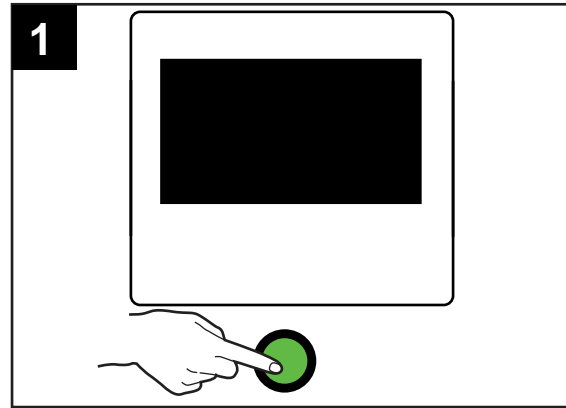


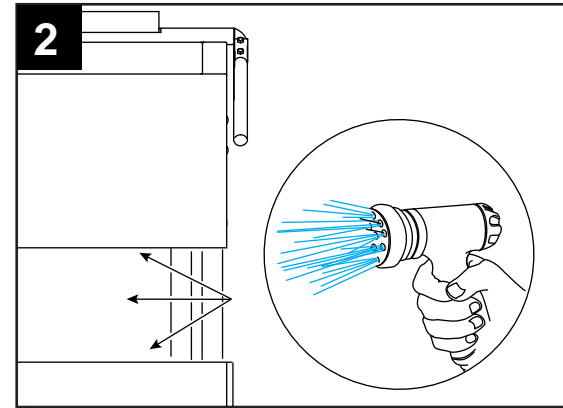
Champion[®]

DH6000-M2, DH6000T-M2 CLEANING GUIDE

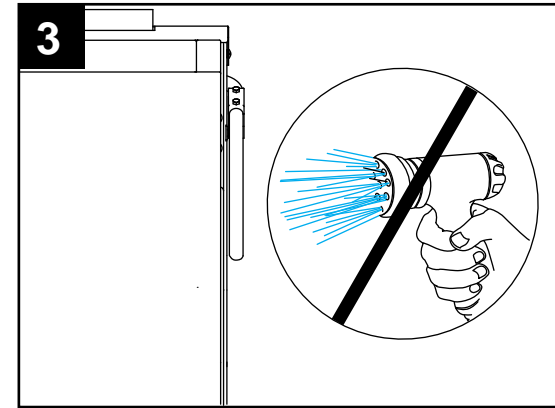
Clean every 8 hours of continuous operation and at the end of the day.



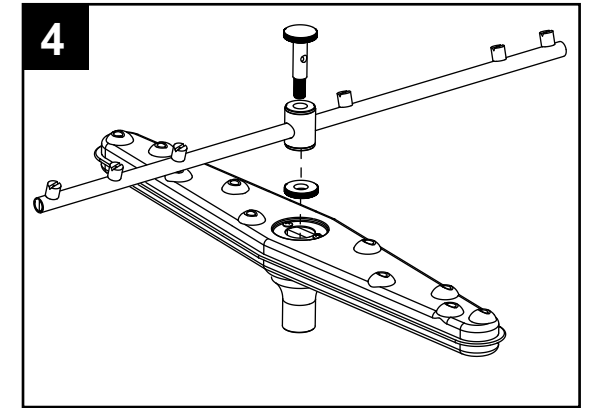
1 Push the power button OFF to automatically drain the machine.



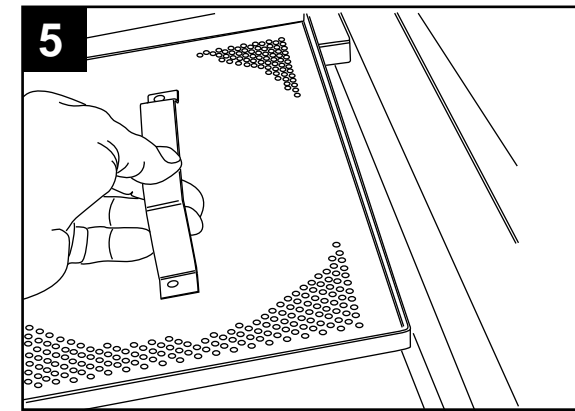
2 Spray the interior of the machine with fresh clean water.



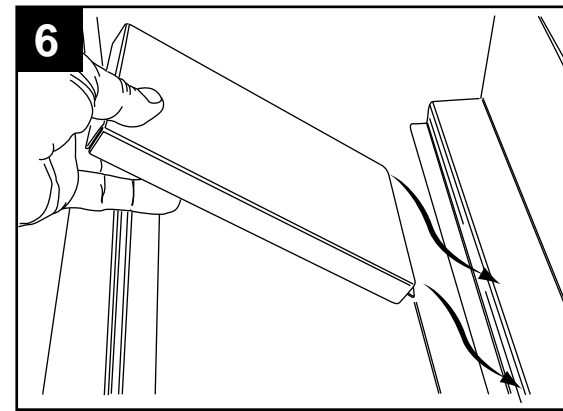
3 DO NOT spray the exterior of the machine with water.



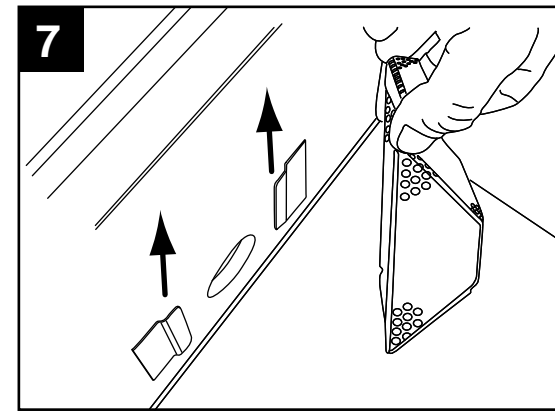
4 Remove the upper & lower spray arms and flush clean.



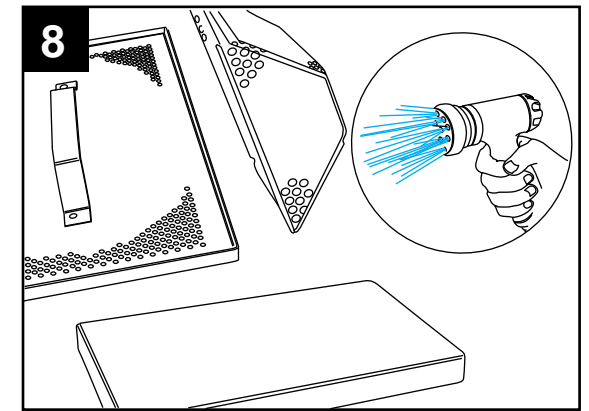
5 Remove the scrap screens.



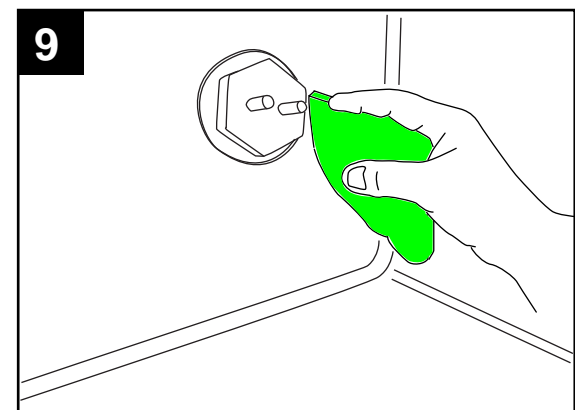
6 Remove the scrap screen support filler plate.



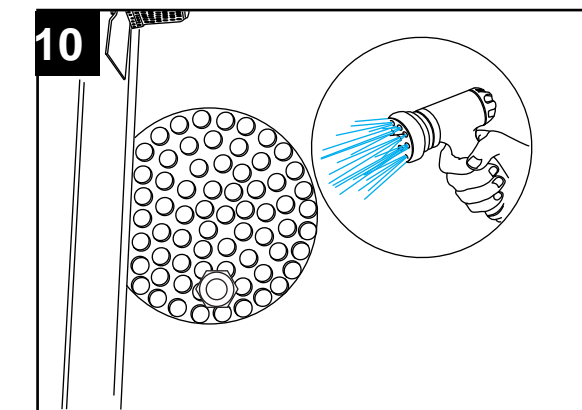
7 Remove the pump suction screen.



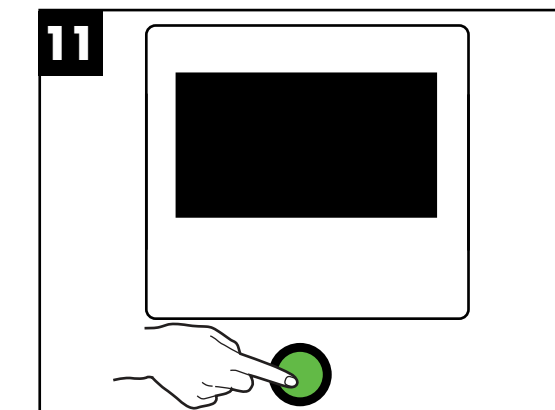
8 Back flush the screens and plate in a remote sink. DO NOT strike the screens against hard objects.



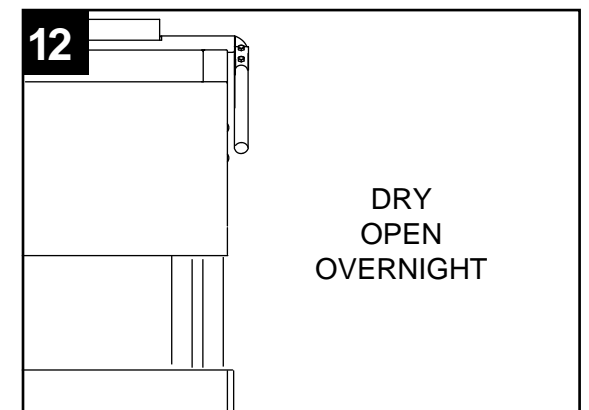
9 Clean tank sensor, (if equipped), with a soft cloth.



10 Flush the bottom of the tank making sure the drain screen is clear.



11 Quickly push the power button ON and OFF to drain the machine again.



12 Reassemble machine and leave door open to aid in overnight drying.