

Champion®

Installation Manual



PRO Series Standard Rack Conveyor Dishwashers

Models	
44 PRO	66 PRO
70FF PRO HD	
80HD PRO	



www.championindustries.com

Issue Date: 7.1.19

Manual P/N 116108 rev. E

For machines beginning with S/N RE19038937 and above

3765 Champion Boulevard
Winston-Salem, NC 27105
(336) 661-1556 Fax: (336) 661-1660
Toll-free: 1(800) 858-4477

2674 N. Service Road, Jordan Station
Ontario, Canada L0R 1S0
(905) 562-4195 Fax: (905) 562-4618
Toll-free: 1(800) 263-5798

Printed in the USA



The Spirit of Excellence

National Service Department

In Canada:

Toll-free: (800) 263-5798

Tel: (905) 562-4195

Fax: (905) 562-4618

email: service@moyerdiebellimited.com

In the USA:

Toll-free: (800) 858-4477

Tel: (336) 661-1556

Fax: (336) 661-1660

email: service@championindustries.com

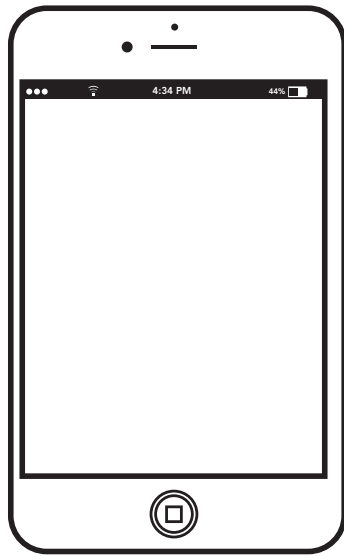
ATTENTION

The model no., serial no., voltage, Hz and phase are needed to identify your machine and to answer questions.

The machine data plate
is located on the right front corner
of the lower panel

Please have this information ready if you call for service assistance.

Two ways to REGISTER YOUR PRODUCT and ACTIVATE YOUR WARRANTY.



- Visit our website at www.championindustries.com and register your product online.
- Use the fax form on the next page and fax to 1-800 661-1660.

PRODUCT REGISTRATION BY FAX

COMPLETE THIS FORM AND FAX TO:

(336) 661-1660 in the USA

1-(800) 204-0109 in Canada

PRODUCT REGISTRATION CARD

Model

Serial #

Date of Installation: ___/___/___

Company Name: _____

Address: _____
(Street) State/Province Zip/Postal Code

Telephone #: () _____ --- _____

Contact: _____

Installation Company: _____

Address: _____

Telephone #: _____

Contact: _____

FAILURE TO REGISTER YOUR PRODUCT MAY VOID YOUR WARRANTY

IMPORTANT IMPORTANT

Revision History

Specifications are subject to change based on continual product improvement. Equipment owners may request a revised manual, at no charge, by calling 1 (800) 858-4477 in the USA or 1(800) 263-5798 in Canada.

<i>Revision Date</i>	<i>Revised Pages</i>	<i>Serial Number Effectivity</i>	<i>Description</i>
1.20.17	All	RP17011002	Released first edition.
6.14.17	11-15	All	Revised electrical connections.
8.4.17	6	All	Added mechanical DWT valve.
	7,9,10	All	Revised fuse blocks.
10.19.18	1	RP18071601	Revised placement instructions to include drains.
	15	RP18071601	Revised drain install with electric valve.
	14	RP18021381	Fig. 17 changed to show new drive mechanism.
4.17.19	5-6	RP19038937	Added Steam connection data to manual.
7.1.19	1, 5,7,18	RP19062022	Changed drain valve from P/N 114471 Dependo-drain to P/N 117014 globe valve.

Limited Warranty

LIMITED WARRANTY

Champion Industries (herein referred to as "The Company"), 3765 Champion Blvd., Winston-Salem, North Carolina 27105, and 2674 N. Service Road, Jordan Station, Ontario, Canada, L0R 1S0, warrants machines, and parts, as set out below.

Warranty of Machines: The Company warrants all new machines of its manufacture bearing the name "Champion and installed within the United States and Canada to be free from defects in material and workmanship for a period of one (1) year after the date of installation or fifteen (15) months after the date of shipment by The Company, whichever occurs first. [See below for special provisions relating to glasswashers.] Warranty registration must be submitted to The Company within ten (10) days after installation either online on the Champion Industries website (<http://www.championindustries.com>, in the USA or <http://www.championindustries.com/canada> in Canada or by the fax form provided at the front of this manual. The Company will not assume any responsibility for extra costs for installation in any area where there are jurisdictional problems with local trades or unions.

If a defect in workmanship or material is found to exist within the warranty period, The Company, at its election, will either repair or replace the defective part or accept return of the machine for full credit; provided; however, as to glasswashers, The Company's obligation with respect to labor associated with any repairs shall end (a) 120 days after shipment, or (b) 90 days after installation, whichever occurs first. In the event that The Company elects to repair, the labor and work to be performed in connection with the warranty shall be done during regular working hours by a Champion authorized service technician. Defective parts become the property of The Company. Use of replacement parts not authorized by The Company will relieve The Company of all further liability in connection with its warranty. In no event will The Company's warranty obligation exceed The Company's charge for the machine. The following are not covered by The Company's warranty:

- a. Lighting of gas pilots or burners.
- b. Cleaning of gas lines.
- c. Replacement of fuses or resetting of overload breakers.
- d. Adjustment of thermostats.
- e. Adjustment of clutches.
- f. Opening or closing of utility supply valves or switching of electrical supply current.
- g. Cleaning of valves, strainers, screens, nozzles, or spray pipes.
- h. Performance of regular maintenance and cleaning as outlined in the operator's guide.
- i. Damages resulting from water conditions, accidents, alterations, improper use, abuse, tampering, improper installation, or failure to follow maintenance and operation procedures.
- j. Wear on Pulper cutter blocks, pulse vanes, and auger brush.

Examples of the defects not covered by warranty include, but are not limited to: (1) Damage to the exterior or interior finish as a result of the above, (2) Use with utility service other than that designated on the rating plate, (3) Improper connection to utility service, (4) Inadequate or excessive water pressure, (5) Corrosion from chemicals dispensed in excess of recommended concentrations, (6) Failure of electrical components due to connection of chemical dispensing equipment installed by others, (7) Leaks or damage resulting from such leaks caused by the installer, including those at machine table connections or by connection of chemical dispensing equipment installed by others, (8) Failure to comply with local building codes, (9) Damage caused by labor dispute.

Warranty of Parts: The Company warrants all new machine parts produced or authorized by The Company to be free from defects in material and workmanship for a period of 90 days from date of invoice. If any defect in material and workmanship is found to exist within the warranty period The Company will replace the defective part without charge.

DISCLAIMER OF WARRANTIES AND LIMITATIONS OF LIABILITY. THE COMPANY'S WARRANTY IS ONLY TO THE EXTENT REFLECTED ABOVE. THE COMPANY'S MAKE NO OTHER WARRANTIES, EXPRESS OR IMPLIED, INCLUDING, BUT NOT LIMITED, TO ANY WARRANTY OF MERCHANTABILITY, OR FITNESS OF PURPOSE. THE COMPANY SHALL NOT BE LIABLE FOR INCIDENTAL OR CONSEQUENTIAL DAMAGES. THE REMEDIES SET OUT ABOVE ARE THE EXCLUSIVE REMEDIES FOR ANY DEFECTS FOUND TO EXIST IN THE COMPANY'S DISHWASHING MACHINES AND THE COMPANY'S PARTS, AND ALL OTHER REMEDIES ARE EXCLUDED, INCLUDING ANY LIABILITY FOR INCIDENTALS OR CONSEQUENTIAL DAMAGES.

The Company does not authorize any other person, including persons who deal in Champion dishwashing machines to change this warranty or create any other obligation in connection with Champion dishwashing machines.

Table of Contents

Revision History	i
Limited Warranty	ii
Model Descriptions	iv
Installation	1
Receiving and Placement.....	1
Installation Codes/Safety Symbols.....	2
Table Connections.....	3
Hot Water Connection	4
Steam Connection	5
Drain Connection	7
Cold Water Connection for Drain Water Tempering Valve.....	8
Ventilation - Vent Hood Fan Control.....	9
Ventilation - Pant Leg Duct Settings	10
Detergent Dispenser Connection	11
Rinse-aid Dispenser Connection	12
Electrical Connections.....	14
Change 1-Point to 2-Point Electrical Connection.....	15
Check Motor Rotation	16
21kW to 12kW Booster Conversion.....	17

Model Descriptions

44 PRO	44" single tank
66 PRO	44" single tank with 22" prewash
70FF PRO	44" single tank with front feed 26" prewash
80FF PRO	44" single tank with 36" heavy duty prewash

Receiving



1. Inspect the machine for damage and immediately report the damage to a supervisor.
2. Check the inside of the machine for accessories and installation parts.
3. Register your machine by fax or online as soon as possible.



WARNING:

Use extreme caution to prevent damage to the machine when removing from pallet.

Placement

1. Check the dishwasher interior for curtains, panels and supplies.
2. Lift the dishwasher off the shipping pallet and move the machine near its permanent location.
3. Adjust the height and level of the machine using the adjustable legs. Level the machine from side-to-side and front-to-back.
4. Do not remove tags attached to the utility connections.
5. Remove the protective film from the dishwasher exterior.

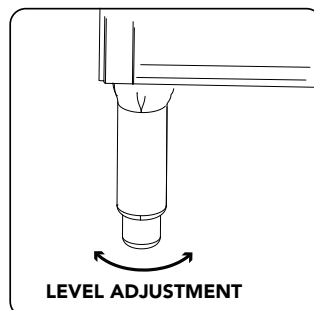


Fig. 1



NOTE:

DO NOT REMOVE THE INSTALLATION TAGS ATTACHED TO THE MACHINE UNTIL ALL UTILITIES ARE CONNECTED.

Installation Codes

The installation of the dishwasher must comply with all local electrical, plumbing, health and safety codes or in the absence of local codes, installed in accordance with the applicable requirements in the National Electrical Code, NFPA 70, Canadian Electrical Code (CEC), Part 1, CSA C22.1; and the Standard for Ventilation Control and Fire Protection of Commercial Cooking Operations, NFPA 96.



NOTE:

Only qualified personnel familiar with the installation of food service equipment should attempt the installation of this machine. Damage or problems associated with improper installation will not be covered by the dishwasher limited warranty.

Safety Symbols

The following symbols are used throughout this manual to alert the reader to important information.



WARNING:

Warning statements indicate a condition or practice that can result in personal injury or possible death.



CAUTION:

Caution statements indicate a condition or practice that can result in damage to the machine or associated equipment.



NOTE:

Note statements highlight important information necessary for the operation of the machine.

Table Connections

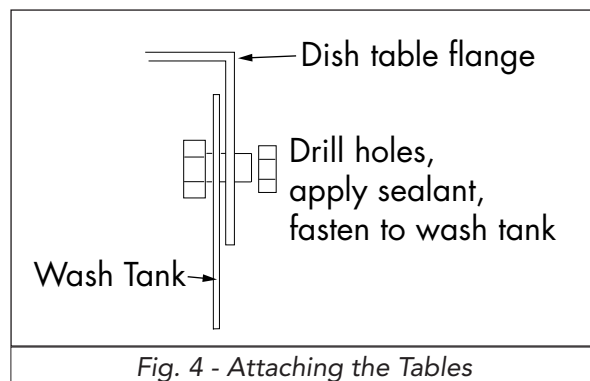
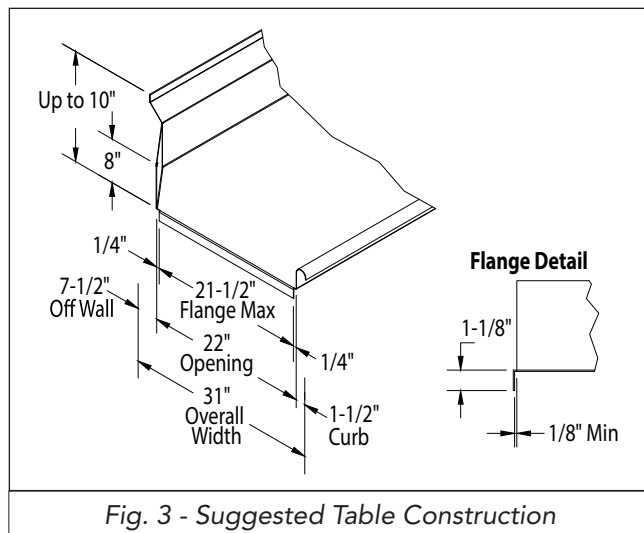
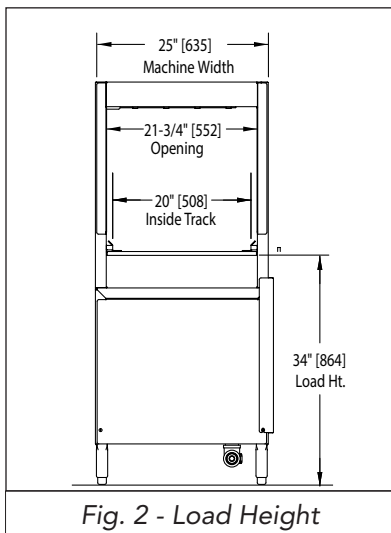


NOTE:

Tables should be installed after the machine is placed in its final location, properly leveled and its height properly adjusted. The standard load height for the dishwasher is 34" [864 mm].

When installing the dish tables:

1. The load end table must slope away from the dishwasher to prevent water from entering the machine. The unload table should slope toward the machine to prevent water from pooling on the exit table.
2. The dish rack must not hit the end of the table as it enters or exits the machine. Adjust the table until the track height of the machine is approximately 1/4" above the table edge.
3. Set the tables inside the machine making sure the table flange fits against the wash tank wall. Attach the tables to the machine applying a silicone sealant to the mating surfaces. See Fig. 4.



Hot Water Connection



HOT WATER

Connect the plumbing in accordance with the specifications below.

! MINIMUM 1/2" NPT HOT WATER SUPPLY LINE.



CAUTION: To prevent damage to the dishwasher supply valves, the installing plumber must thoroughly flush debris from the water supply line before connecting it to the dishwasher. Damage caused by improper installation is not covered by the limited warranty.

BOOSTER RISE °F		MINIMUM INCOMING WATER TEMPERATURE	MINIMUM INCOMING SUPPLY FLOWING PRESSURE	MINIMUM/MAXIMUM OPERATING FLOWING PRESSURE
40°F RISE	12kW	140°F/60°C	45 PSI/310 kPa	20/22 PSI 138-152 kPa
70°F RISE	21kW	110°F/ 43°C	45 PSI/310 kPa	20/22 PSI 138-152 kPa
NO BOOSTER		180°F/ 82°C	45 PSI/310 kPa	20/22 PSI 138-152 kPa

! WATER HARDNESS OF 3 GRAINS/US GAL - 0.83 IMP GAL -5.3mg/L or LESS.

! INSTALL A 1/2" OR LARGER SHUT-OFF VALVE IN THE WATER SUPPLY LINE AS CLOSE TO THE DISHWASHER AS POSSIBLE FOR SERVICING.

! WATER SUPPLY CONNECTION IS LOCATED ON THE MACHINE BASE NEAR THE BOOSTER.

! INSTALL A PRESSURE REGULATING VALVE IN THE INCOMING WATER SUPPLY LINE TO MAINTAIN THE PROPER FLOWING PRESSURE.

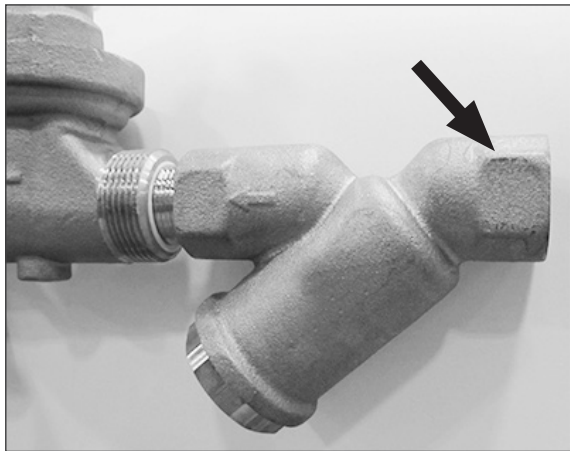


Fig. 5

Steam Connections



STEAM



CAUTION: The dishwasher steam connections must comply with all local plumbing, health and safety codes. Damage caused by improper installation is not covered by the limited warranty



CHECK THE STEAM SUPPLY PRESSURE REQUIREMENTS PRIOR TO CONNECTING THE STEAM SUPPLY LINES.



STANDARD REQUIRED STEAM SUPPLY PRESSURE IS 10-30 PSI.



MINIMUM 1-1/4" NPT STEAM LINE.



STEAM CONNECTION IS ALWAYS LOCATED AT THE RIGHT SIDE OF THE MACHINE.



CONDENSATE LINES MUST BE GRAVITY DRAIN WITH NO BACK PRESSURE. A CONDENSATE LIFT PUMP MUST BE INSTALLED IF THE CONDENSATE IS ABOVE THE FINISHED FLOOR.

Steam Heating



TANK HEAT: lbs./hr. required at 15 PSI = 75



STEAM BOOSTER: lbs./hr. required 40°F Rise AT 15 PSI = 60



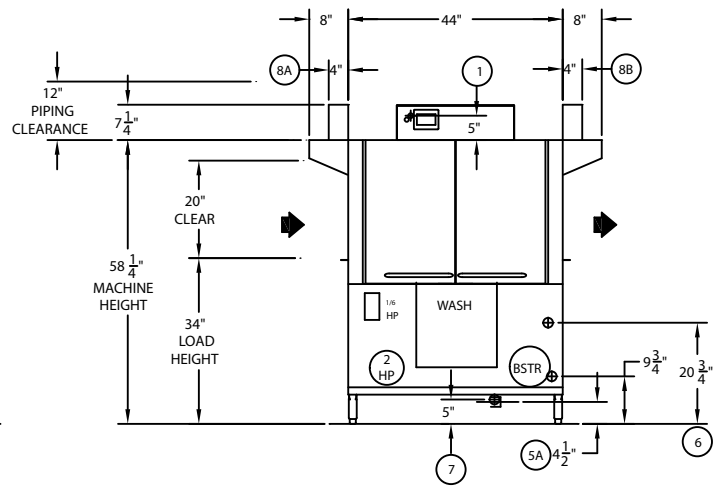
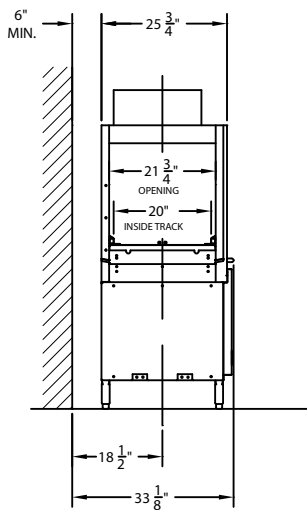
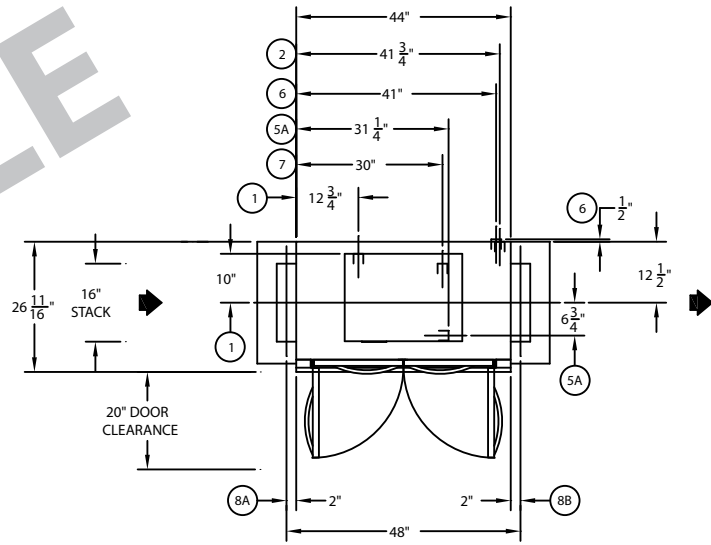
STEAM BOOSTER: lbs./hr. required 70°F AT 15 PSI = 85



WATER HARDNESS OF 3 GRAINS/US GAL - 0.83 IMP GAL -5.3mg/L or LESS.

Steam Plumbing and Electrical Drawing

SAMPLE



NOTE: (A) (OPTIONAL) DRAIN WATER TEMPERING KIT WILL NEED 1/2" NPT COLD WATER CONNECTION AT THE BOTTOM OF THE MACHINE

UTILITIES

①	ELECTRICAL SEE ELEC. DATA CHART FOR AMP LOADS	MACHINE REQUIREMENTS 2.17 HP (STEPDOWN TRANSFORMER PROVIDES 120V CONT.)	⑤	DRAIN	(A) 1 1/2" NPT MACHINE
②	HOT WATER (110°F)	1/2" NPT CONNECTION WITH INTERNAL BOOSTER WATER CONSUMPTION 100 GPH AT 20 PSI	⑥	STEAM (10-30PSI) FLOW PRESS.	1 1/4" NPT MACHINE BOOSTER: 85 LB/HR CONSUMPTION TANK HEAT: 75 LB/HR CONSUMPTION
③	COLD WATER (50°F-70°F)	(A) (OPTIONAL) 1/2" NPT, DRAIN WATER TEMPERING			
4	HOT WATER (180°F)	1/2" NPT WATER CONSUMPTION 100 GPH AT 20 PSI PRV BY OTHERS WHEN PRESSURE EXCEEDS 60 PSI (WATER CONNECTION WITHOUT INTERNAL BOOSTER)	⑧	VENTS (4" X 16") INSIDE	(A) LOAD END: 200 CFM AT 1/4" S.P. (B) UNLOAD END: 400 CFM AT 1/4" S.P.

SPECIFICATIONS ARE SUBJECT TO CHANGE BASED ON CONTINUAL PRODUCT IMPROVEMENT

Drain Connection



DRAIN

Connect the drain in accordance with the specifications below.

- !** GRAVITY DRAIN- 1" NPT DRAIN CONNECTION LOCATED UNDERNEATH MACHINE. MAX FLOW IS 17 US GAL/MIN.
- !** USE A DIRECT OR INDIRECT CONNECTION TO THE BUILDING DRAIN IN ACCORDANCE WITH LOCAL CODE.
- !** FOR PREWASH MACHINES, CONNECTION IS AT THE LOAD END.
- !** FOR SINGLE TANK MACHINES, THE CONNECTION IS AT THE RIGHT-HAND SIDE OF THE MACHINE UNDER THE BOOSTER.
- !** THE DRAIN VALVE(S) ARE ELECTRIC. THEY OPEN AND CLOSE AUTOMATICALLY WHEN DISHWASHER POWER IS OFF OR ON.



Fig. 6B - Electric Drain Valve

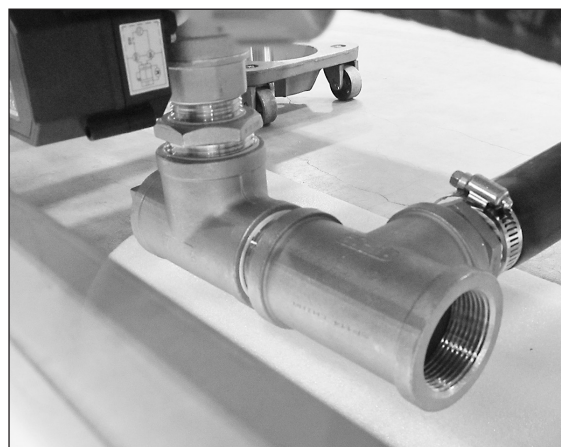


Fig. 6A - Drain connections.



NOTE:

Procedure to manually open and close the valve on page 18.

Cold Water Connection

Drain Water Tempering, (DWT), Valve



**COLD
WATER**

! MINIMUM 1/2" NPT COLD WATER SUPPLY LINE.

MINIMUM INCOMING
WATER TEMPERATURE

MAXIMUM INCOMING
SUPPLY PRESSURE

36°F/ 2°C

60 PSI/414 kPa



CAUTION: To prevent damage to the dishwasher supply valves, the installing plumber must thoroughly flush debris from the water supply line before connecting it to the dishwasher. Damage caused by improper installation is not covered by the limited warranty.

! WATER HARDNESS OF 3 GRAINS/US GAL - 0.83 IMP GAL -5.3mg/L or LESS.

! INSTALL A 1/2" OR LARGER SHUT-OFF VALVE IN THE WATER SUPPLY LINE AS CLOSE TO THE DISHWASHER AS POSSIBLE FOR SERVICING.

! WATER SUPPLY CONNECTION IS LOCATED NEAR A MACHINE CORNER AT THE BASE OF THE DISHWASHER.

! METHOD A:
CONNECT A 1/2" NPT DRAIN LINE TO THE MECHANICAL DWT DEVICE (Fig. 7a).
METHOD B:
CONNECT A 1/2" NPT DRAIN LINE TO THE BACKFLOW PREVENTER/SOLENOID VALVE RELIEF MAINTAINING AN AIRGAP DRAIN CONNECTION (Fig. 7b).



Fig. 7a - Mechanical DWT Valve

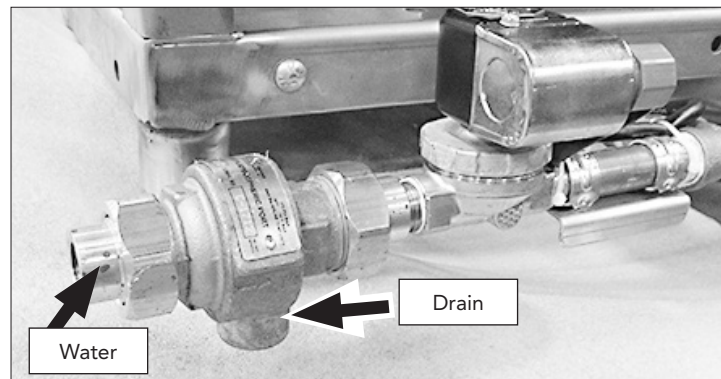
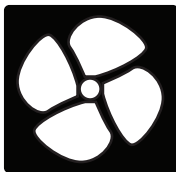


Fig. 7b - Backflow Preventer/Solenoid Valve

Ventilation - Vent Hood Fan Control



Standard model installations using an approved vent hood may require a vent fan signal. This signal is supplied by the dishwasher control circuit. A qualified installer must connect a signal circuit to the fuse holder and a common neutral terminal provided. See Fig. 8.



CAUTION: To prevent damage to the dishwasher do not connect vent fan motor to the Line Power 120VAC, 0.5 Amp fused connection terminals. Damage to any component caused by improper installation is not covered by the limited warranty.

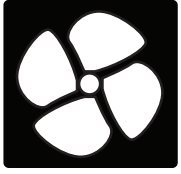
The fused 120VAC Line Power only supplies an external vent fan contactor (supplied by others), and is limited to 0.5 AMP maximum load. The 120VAC is powered whenever main power is on.



Fig. 8 - Connection is located inside the top control cabinet.

Continued on next page.

Ventilation - Pant Leg Duct Settings



! LOAD END 200 CFM @ 1/4" SP/71 L/SEC
UNLOAD END 400 CFM @ 1/4" SP/189 L/SEC.

! MINIMUM OF SIX KITCHEN AIR CHANGES PER HOUR RECOMMENDED.

! TWO 4' X 16" VENT STACKS WITH ADJUSTABLE DAMPERS ARE SUPPLIED WITH THE MACHINE.



NOTE:

Loosen the wing-nut holding the damper handle and turn it to open or close the damper and adjust the steam exiting the machine.

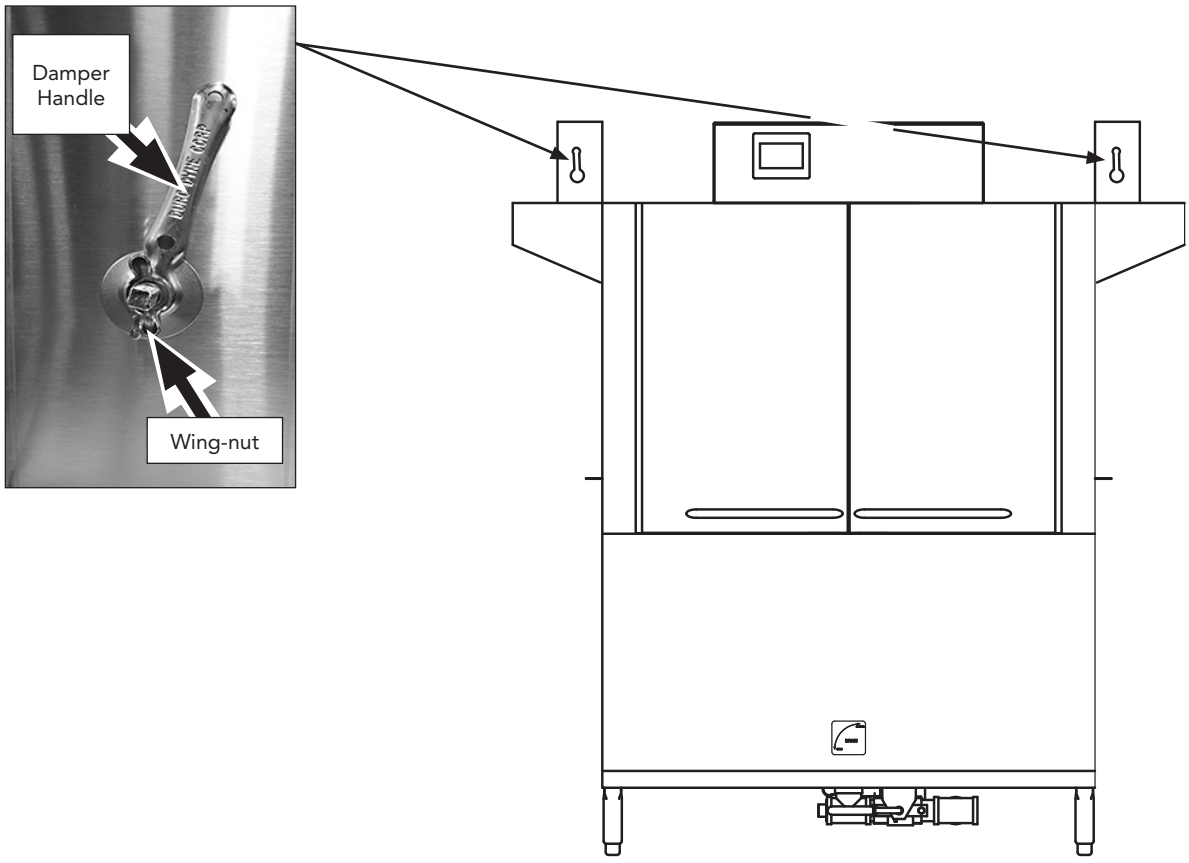


Fig. 9 - Vent

Detergent Dispenser Connection



! WASH TANK CAPACITY IS 17 US GAL./14.2 IMP. GAL/64.4 L.

! USE A NON-CHLORINATED COMMERCIAL GRADE DETERGENT.

! 7/8" DIAMETER HOLES ARE PROVIDED IN THE TANK.

! FUSED 120VAC 0.5 AMP MAX LOAD DETERGENT SIGNAL CONNECTION IS PROVIDED INSIDE THE CONTROL CABINET.

! THE DETERGENT SIGNAL IS ENABLED THROUGHOUT THE WASH CYCLE.

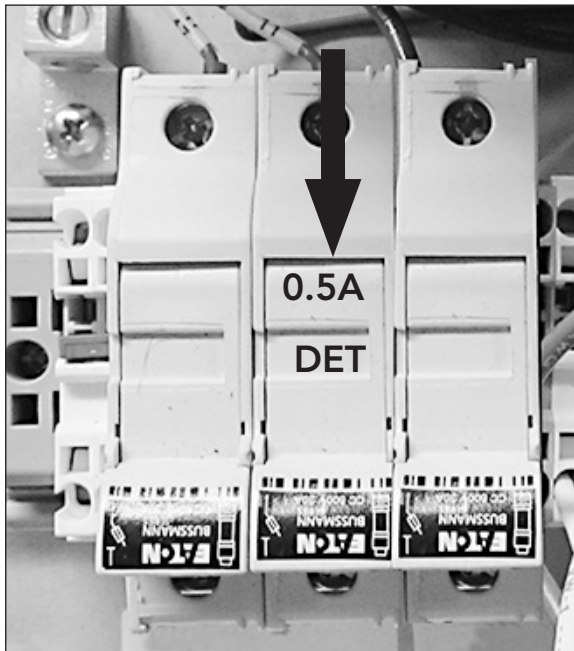


Fig. 10 - Connection is located inside the top control cabinet.

Rinse-Aid Dispenser Connection

R/A

! RINSE = 0.48 US GAL/RACK, 0.40 IMP. GAL/RACK, 1.82 L/RACK

! 1/8" NPT PIPE PLUG PROVIDED IN FINAL RINSE PIPING.

! FUSED 120VAC 0.5 AMP MAX LOAD RINSE AID SIGNAL CONNECTION IS PROVIDED INSIDE THE CONTROL CABINET.

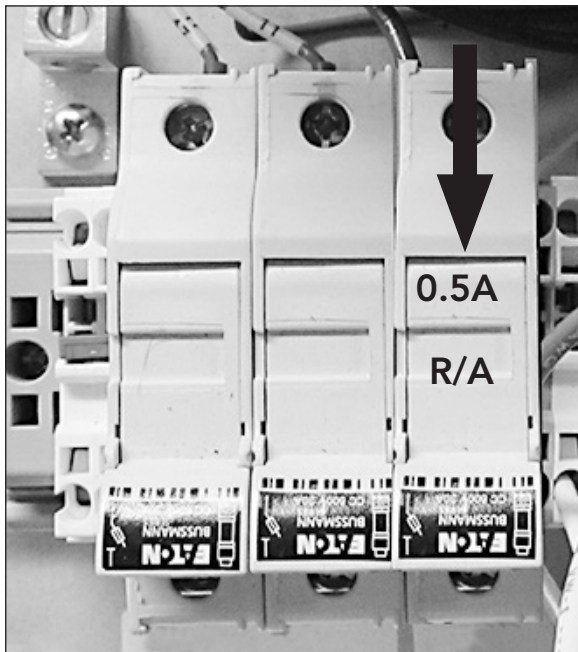
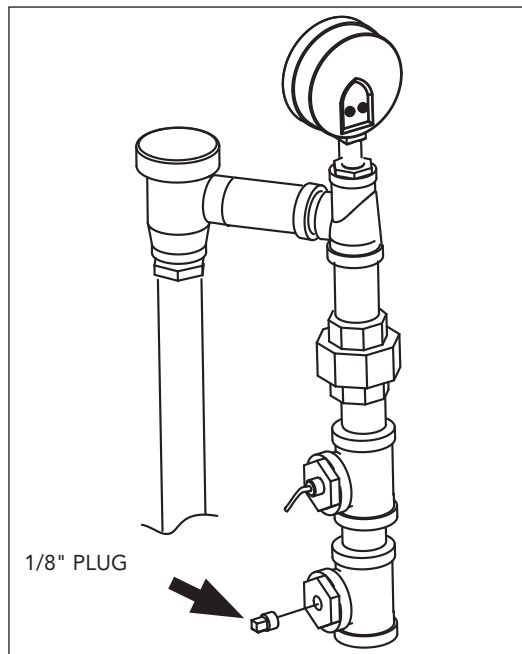


Fig. 11 Rinse Aid Connection



Electrical Connections



The installation of the dishwasher must comply with all local electrical, plumbing, health and safety codes or in the absence of local codes, installed in accordance with the applicable requirements in the National Electrical Code, NFPA 70, Canadian Electrical Code (CEC), Part 1, CSA C22.1; and the Standard for Ventilation Control and Fire Protection of Commercial Cooking Operations, NFPA 96.

**CAUTION:**

Only qualified personnel familiar with the installation of food service equipment should attempt the installation of this machine. Damage or problems associated with improper installation will not be covered by the dishwasher limited warranty.

**WARNING:**

There may be more than one power source connected to the machine. Make sure all power sources are disconnected, locked and tagged out before working on the machine.

Electrocution may occur when working on energized circuits. Disconnect power at the main breaker or service disconnect switch, then lock out and tag it to indicate that work is being performed on the circuit.

! ATTENTION INSTALLER !

All machines are shipped from the factory as a 1-POINT connection. The BOOSTER is wired for 21kW operation.

IT IS THE INSTALLER'S RESPONSIBILITY TO CHANGE THE CONNECTION TO 2-POINT AND/OR THE BOOSTER TO 12kW IF REQUIRED.

Electrical Connections - Change 1-Point to 2-Point Electrical Connection



COMPARE THE ELECTRICAL SUPPLY WITH THE MACHINE ELECTRICAL CONNECTION DATA PLATE BEFORE CONNECTING THE POWER TO THE MACHINE.

THE DATA PLATE IS ADJACENT TO THE INPUT TERMINAL BLOCKS.



1-POINT CONNECTION MACHINES HAVE JUMPERS BETWEEN THE INPUT BLOCKS.



REMOVE THE JUMPERS FOR 2-POINT ELECTRICAL CONNECTION.

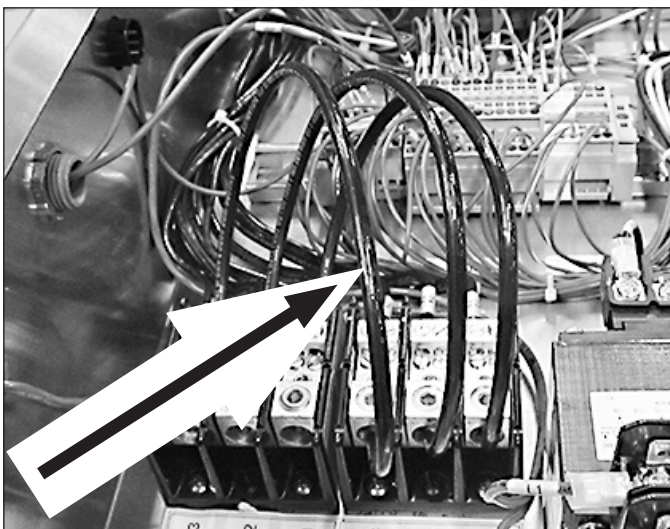
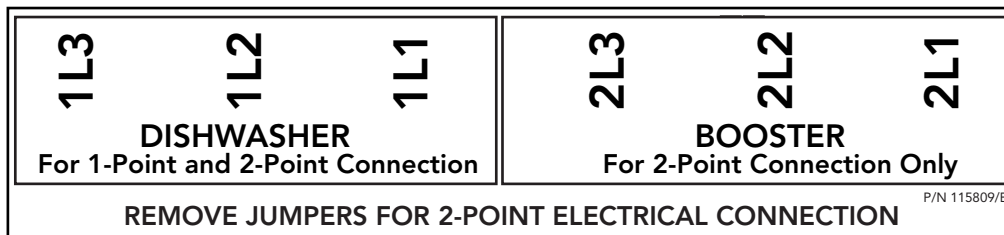


Fig.12 - 1-point connection jumpers.

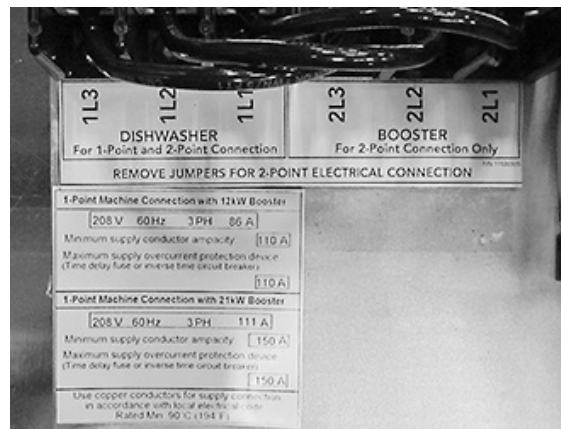


Fig.13 - 1-point connection data plate

To convert a 1-point connection machine to a 2-point connection machine.

1. Open the control cabinet and remove the jumpers, (Fig. 12), between 'Dishwasher' terminal block and the 'Booster' terminal block.
2. Cover the existing 1-point connection data plate, (Fig. 13), with the 2-point connection data plate, (Fig. 14), stowed in the plastic bag, (Fig. 15), next to the input terminal block.
3. Connect the incoming power according to the customer's requirements.
4. Conversion is complete

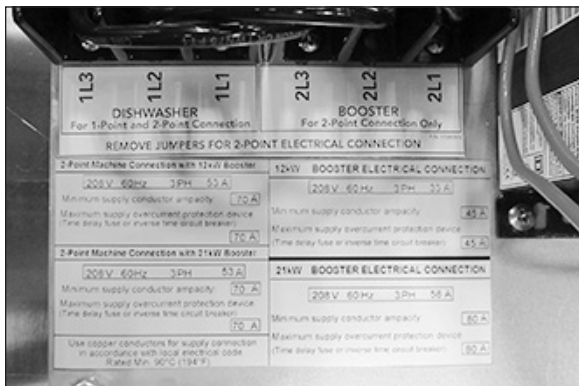


Fig.14 - 2-point connection data plate

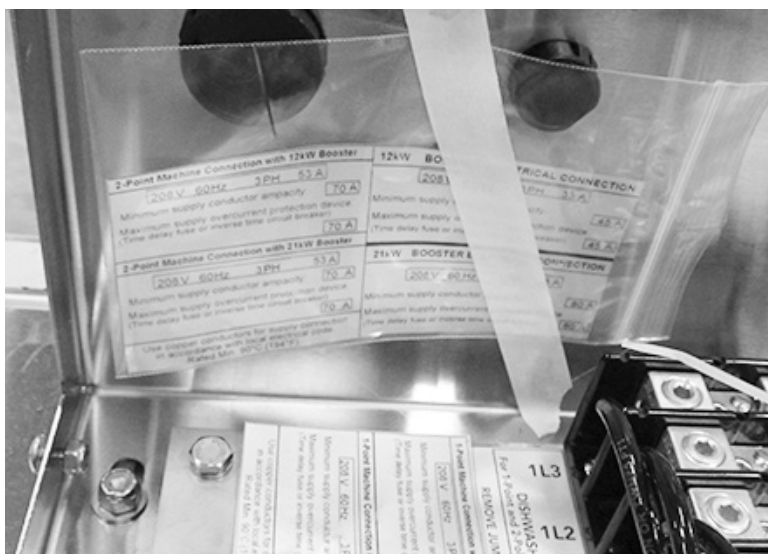


Fig.15 -
The 2-point data plate is located in a plastic bag next to the terminal block.

Electrical Connections - Check Motor Rotation



All motors are phased the same at the factory.
Reverse L1 and L2 at the main terminal block to change motor direction of all motors.

1. Fig. 16 shows the rotation arrow label on the rear pump housing.



Fig. 16

2. Fig. 17 shows the drive motor rotation label on the drive plate.

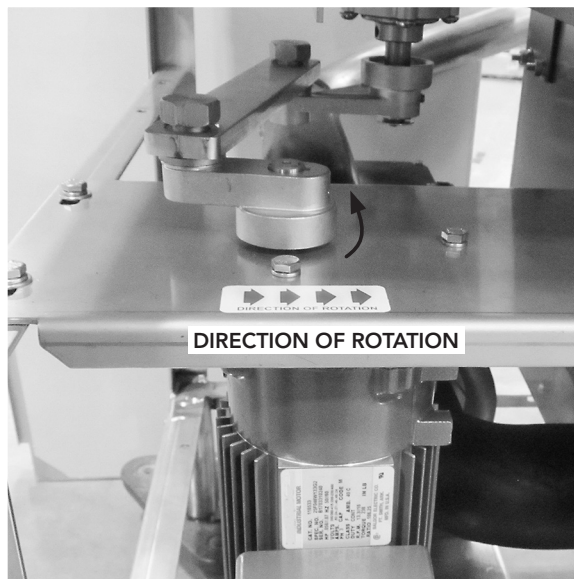


Fig. 17

Electrical Connections- 21 kW to 12kW Booster Conversion



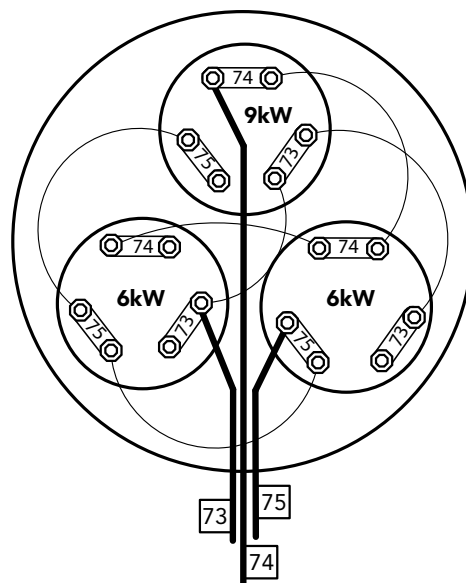
ATTENTION

The booster is shipped from the factory wired for 21kW operation. For 12kW operation, the booster must be reconnected as shown below.

21kW to 12kW Booster Conversion

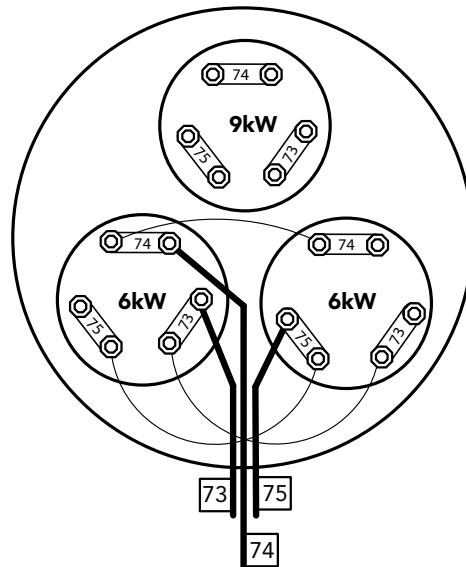
- 1 Disconnect all power from the unit.
- 2 Remove the booster cover.
- 3 Remove the jumper wires from the 9kW element.
- 4 Connect a jumper wire between 73 on the 6kW elements.
- 5 Remove the power wire #74 from the 9kW element.
- 6 Reconnect the power wire #74 to the #74 strap on the left 6kW element.
- 7 Double-check all wiring.
- 8 Replace the booster cover.
- 9 Conversion is complete.

21kW Booster



#73 and #75 FROM SSR
#74 DIRECT FROM CABINET

12kW Booster



#73 and #75 FROM SSR
#74 DIRECT FROM CABINET

HOW TO MANUALLY OPERATE NEW PRO DRAIN VALVE

Electric Drain Valve, P/N 117014 Beginning with S/N: RP19062022, Effective 7/1/19

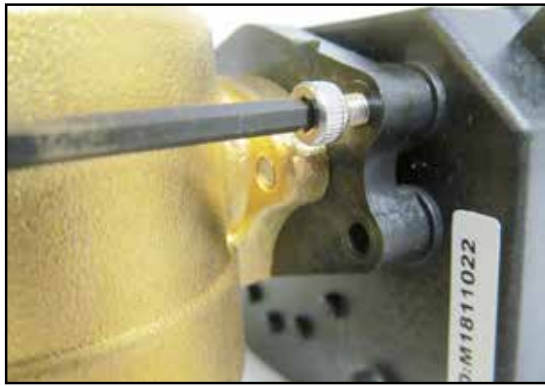


- The new electric drain valve does not have a manual lever as the Dependo-Drain.
- To manually operate the new valve, four 2.5mm socket allen screws must be removed, the valve coil removed, and the valve globe rotated with pliers.

- The valve coil has an indicator line showing valve position. Ensure valve is reassembled in the same position.



1



Remove four 2.5mm coil retaining allen screws.

2



Remove the coil from the valve body.

3



Using pliers, turn the valve body key to the vertical position to open valve.

Reassemble in reverse order.