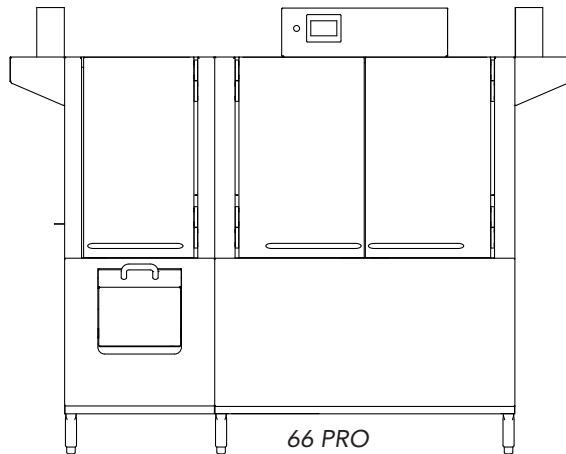
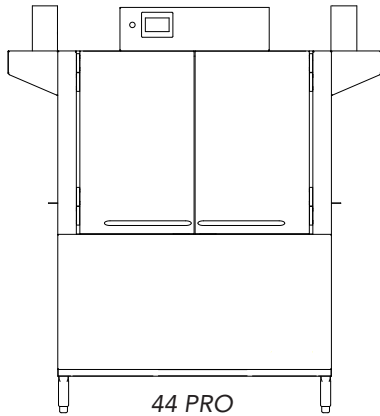


Champion®

Service Replacement Parts



PRO Series

Standard and Ventless Heat Recovery
 Rack Conveyor Dishwashers

Models

Single Tank Models

44 PRO	66 PRO
70FF PRO HD	
80HD PRO	

Two Tank Models

64 PRO	86 PRO
90FF PRO HD	
100HD PRO	



www.championindustries.com

Issue Date: 7.18.19

Manual P/N 116115 rev. D

For machines beginning with S/N RP17011002 and above

3765 Champion Boulevard
Winston-Salem, NC 27105
(336) 661-1556 Fax: (336) 661-1660
Toll-free: 1 (800) 858-4477

2674 N. Service Road, Jordan Station
Ontario, Canada L0R 1S0
(905) 562-4195 Fax: (905) 562-4618
Toll-free: 1 (800) 263-5798

Printed in USA



The Spirit of Excellence

For future reference, record your dishwasher information in the box below.

Model Number _____ Serial Number _____

Voltage _____ Hertz _____ Phase _____

Champion Service Agent _____ Tel: _____

Champion Parts Distributor _____ Tel: _____

National Service Department

In Canada:

Toll-free: 1 (800) 263-5798

Tel: (905) 562-4195

Fax: (905) 562-4618

email: service@moyerdiebellimited.com
com

In the USA:

Toll-free: 1 (800) 858-4477

Tel: (336) 661-1556

Fax: (336) 661-1660

email: service@championindustries.com

ATTENTION:

The dishwasher model number,
serial number, voltage, hertz and phase are
needed to identify your machine.
Please have this information on-hand
if you call for service assistance.

Revision History

Specifications are subject to change based on continual product improvement. Equipment owners may request a revised manual, at no charge, by calling 1 (800) 858-4477 in the USA or 1(800) 263-5798 in Canada.

Revision Date	Revised Pages	Serial Number Effectivity	Description
7.20.17	All	RP17011002	Released First Edition
8.10.17	51	All	Added 36" PW pump/motor assembly
	35	All	Added Mechanical DWT device
12.20.17	38-39	All	Added Item 12, P/N 116553, thermistor 6"
2.28.18	3-6	RP17121335	Changed PLC5 to PLC6
10.24.18	38-39	RP18021381	Revised booster tank, and thermistor
	42-43	RP18021381	Revised jam switch assembly
	54-61	RP18071601	Replaced manual drain valves with electric valve
4.8.19	39	RP18021381	Corrected Thermistor P/N 116574 to P/N 116754
7.18.19	55-61	RP19062022	Added Electric Drain Valve P/N 117014 to replace P/N 114471

Limited Warranty

LIMITED WARRANTY

Champion Industries Inc. (herein referred to as Champion), 3765 Champion Blvd., Winston-Salem, North Carolina 27105 and 2674 N. Service Road, Jordan Station, Canada, L0R 1S0, warrants machines, and parts, as set out below.

Warranty of Machines: Champion warrants all new machines of its manufacture bearing the name "Champion" and installed within the United States and Canada to be free from defects in material and workmanship for a period of one (1) year after the date of installation or fifteen (15) months after the date of shipment by Champion, whichever occurs first. [See below for special provisions relating to glasswashers.] Warranty registration must be returned to Champion within ten (10) days after installation either online on the Champion Industries website (<http://www.championindustries.com/register>) in the USA or <http://www.championindustries.com/canada/register> in Canada or by fax on the form provided at the front of this manual. If warranty registration is not returned to Champion within such period, the warranty will expire after one year from the date of shipment. Champion will not assume any responsibility for extra costs for installation in any area where there are jurisdictional problems with local trades or unions. If a defect in workmanship or material is found to exist within the warranty period, Champion, at its election, will either repair or replace the defective machine or accept return of the machine for full credit; provided; however, as to glasswashers, Champion's obligation with respect to labor associated with any repairs shall end (a) 120 days after shipment, or (b) 90 days after installation, whichever occurs first. In the event that Champion elects to repair, the labor and work to be performed in connection with the warranty shall be done during regular working hours by a Champion authorized service technician. Defective parts become the property of Champion. Use of replacement parts not authorized by Champion will relieve Champion of all further liability in connection with its warranty. In no event will Champion's warranty obligation exceed Champion's charge for the machine. The following are not covered by Champion's warranty:

- a. Lighting of gas pilots or burners.
- b. Cleaning of gas lines.
- c. Replacement of fuses or resetting of overload breakers.
- d. Adjustment of thermostats.
- e. Adjustment of clutches.
- f. Opening or closing of utility supply valves or switching of electrical supply current.
- g. Cleaning of valves, strainers, screens, nozzles, or spray pipes.
- h. Performance of regular maintenance and cleaning as outlined in operator's guide.
- i. Damages resulting from water conditions, accidents, alterations, improper use, abuse, tampering, improper installation, or failure to follow maintenance and operation procedures.
- j. Wear on Pulper cutter blocks, pulse vanes, and auger brush.

Examples of the defects not covered by warranty include, but are not limited to: (1) Damage to the exterior or interior finish as a result of the above, (2) Use with utility service other than that designated on the rating plate, (3) Improper connection to utility service, (4) Inadequate or excessive water pressure, (5) Corrosion from chemicals dispensed in excess of recommended concentrations, (6) Failure of electrical components due to connection of chemical dispensing equipment installed by others, (7) Leaks or damage resulting from such leaks caused by the installer, including those at machine table connections or by connection of chemical dispensing equipment installed by others, (8) Failure to comply with local building codes, (9) Damage caused by labor dispute.

Warranty of Parts: Champion warrants all new machine parts produced or authorized by Champion to be free from defects in material and workmanship for a period of 90 days from date of invoice. If any defect in material and workmanship is found to exist within the warranty period Champion will replace the defective part without charge.

DISCLAIMER OF WARRANTIES AND LIMITATIONS OF LIABILITY. CHAMPION'S WARRANTY IS ONLY TO THE EXTENT REFLECTED ABOVE. CHAMPION MAKES NO OTHER WARRANTIES, EXPRESS OR IMPLIED, INCLUDING, BUT NOT LIMITED, TO ANY WARRANTY OF MERCHANTABILITY, OR FITNESS OF PURPOSE. CHAMPION SHALL NOT BE LIABLE FOR INCIDENTAL OR CONSEQUENTIAL DAMAGES. THE REMEDIES SET OUT ABOVE ARE THE EXCLUSIVE REMEDIES FOR ANY DEFECTS FOUND TO EXIST IN CHAMPION DISHWASHING MACHINES AND CHAMPION PARTS, AND ALL OTHER REMEDIES ARE EXCLUDED, INCLUDING ANY LIABILITY FOR INCIDENTALS OR CONSEQUENTIAL DAMAGES.

Champion does not authorize any other person, including persons who deal in Champion dishwashing machines to change this warranty or create any other obligation in connection with Champion Dishwashing Machines.

Table of Contents

PRO Series - Rack Conveyor Dishwashers

Revision History.....	i
Limited Warranty.....	ii

Service Replacement Parts

Standard Control Cabinet.....	2
VHR Control Cabinet.....	4
Control Panel.....	6
Prewash Panels and Curtains	8
Single Tank Panels and Curtains	10
Single Tank Scrap Screens.....	12
Float Switch, Thermostats, SSR.....	14
Wash Arms	16
Final Rinse Arms	18
Standard Final Rinse Supply.....	20
VHR Final Rinse Supply	22
Standard Fill Piping	24
VHR Prewash and Booster Fill Piping.....	26
No Booster Fill Piping	28
VHR Heat Pump Cold Water Supply	30
VHR Heat Pump Pressure Gauge/Valve	32
Drain Water Tempering and ION Piping.....	34
Electric Wash Tank Heat.....	36
Electric Booster	38
Lower Junction Box Terminal Block	40
Drive Motor and Jam Switch.....	42
Conveyor Continual Drive Arm	44
Pawl Bar and Tracks.....	46
Wash/Prewash Pump and Motor.....	48
Pump Installations	50
VHR Recirculation Pump Install	52

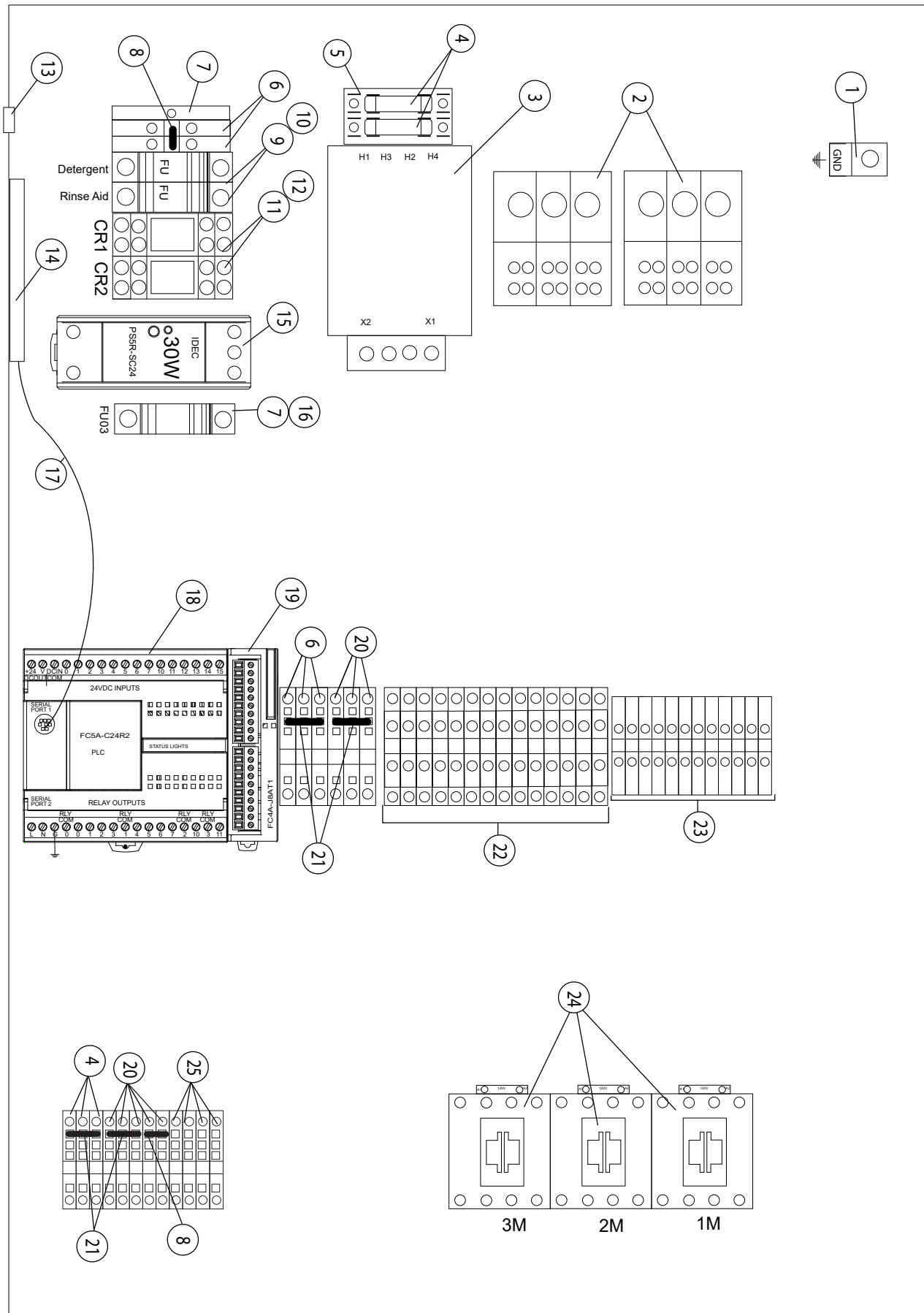
continued on next page

Table of Contents (continued)

44 PRO without Prewash Drain Assembly	54
44 PRO with Prewash Drain Assembly - RL.....	56
44 PRO with Prewash Drain Assembly - LR.....	58
22" Prewash Drain Assembly	60
Wash Tank Steam Coil.....	62
Steam Booster.....	64
VHR Heat Pump Assembly.....	68
22" Prewash Door	70
36" Prewash Door	72
Wash Doors	74
Standard Vent Cowls/Splash Shields.....	76
Dish Racks	78

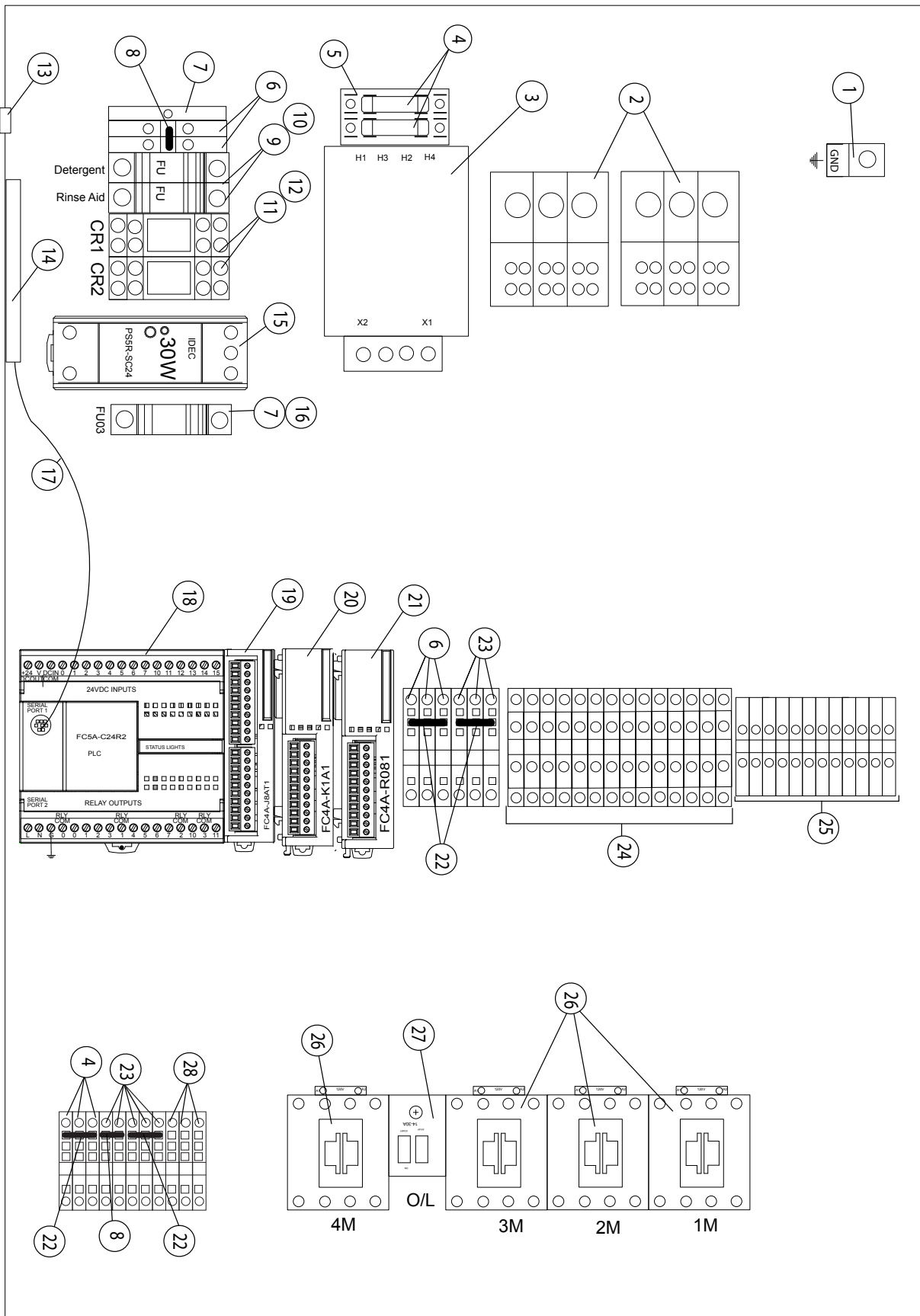
***This Page
Intentionally
Left Blank***

Standard Control Cabinet



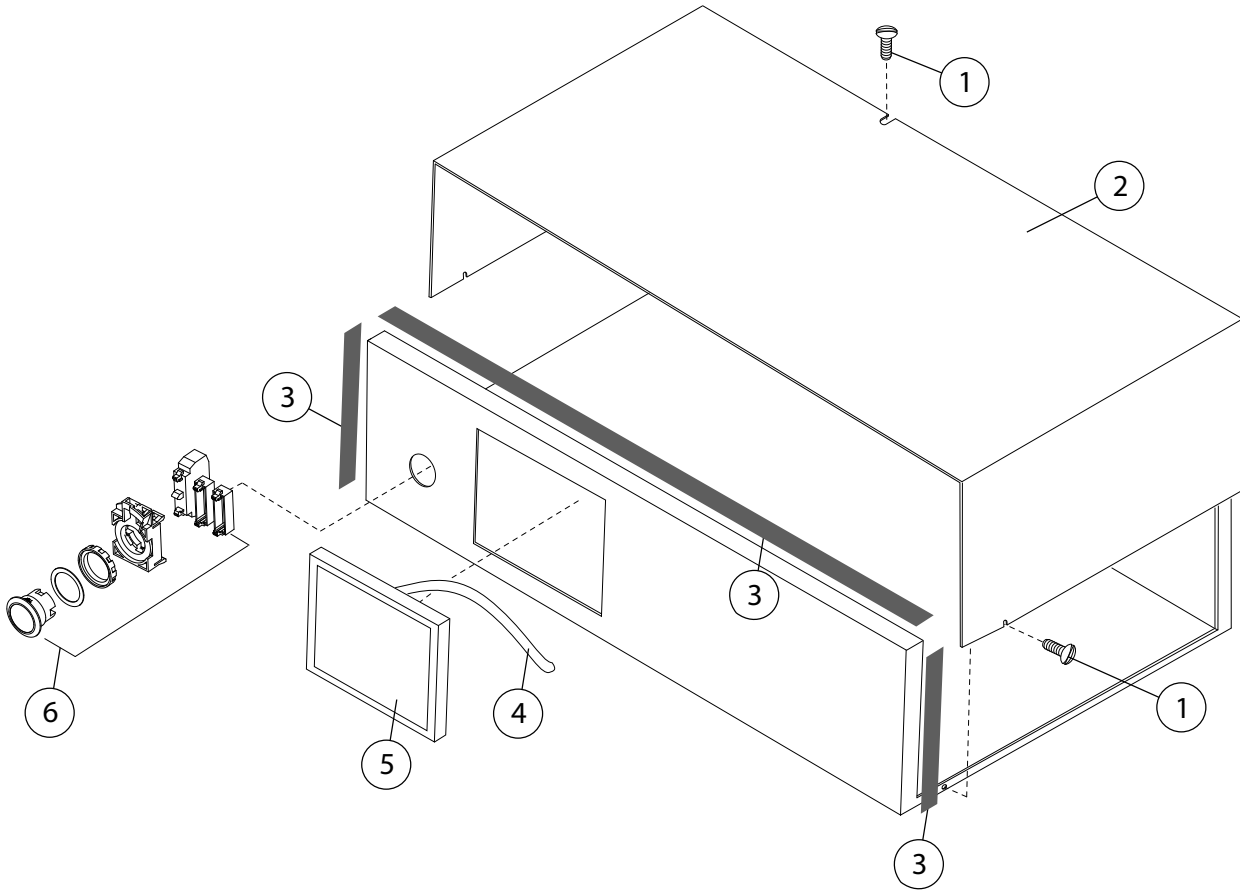
Item No.	Part No.	Description	Qty.
1	103310	LUG, GROUND	1
2	111833	BLOCK, TERMINAL	2
3	109064	TRANSFORMER, 250VA	1
4	112482	FUSE, 3.5A, 208-240V/60/ 1 & 3	2
--	112484	FUSE, 1.5A 460-480V, 380-415V, 575V	2
5	112424	BLOCK, FUSE KIT	1
6	114514	TERMINAL, SINGLE ST 2.5 WHITE	7
7	114519	BLOCK, END E/NS 35 N	1
8	114523	BRIDGE, 2-POLE	2
9	111153	BLOCK, FUSE	3
10	116213	FUSE, LPCC 0.5A	2
11	111068	RELAY, 2PDT 120VAC (Not used after S/N RP171325)	2
12	111036	SOCKET, RELAY (Not used after S/N RP171325)	2
13	115019	PUSHBUTTON, GREEN	1
14	116509	HMI, IDEC 4.3" TFT DISPLAY	1
15	115607	POWER SUPPLY, 24VDC, 30W	1
16	112901	FUSE, LPCC 1.0A	1
17	116507	CABLE, HMI TO PLC	1
18	115603	PLC (Prior to S/N RP17121325)	1
---	116713	PLC (Beginning with S/N RP17121325 and above)	1
19	115608	MODULE, INPUT, 8 CHANNEL, THERMISTOR	1
20	114520	TERMINAL, SINGLE, MZB 1.5 NS35	6
21	114524	BRIDGE, 3-POLE FBS 3-5	4
22	114517	TERMINAL, DOUBLE STTB 2.5	12
23	114512	TERMINAL, SINGLE, ST 2.5 GRAY	16
24	116634	CONTACTOR, 120VAC COIL	4
25	114515	TERMINAL, SINGLE GROUND, ST 2.5 PE, GREEN	4

VHR Control Cabinet



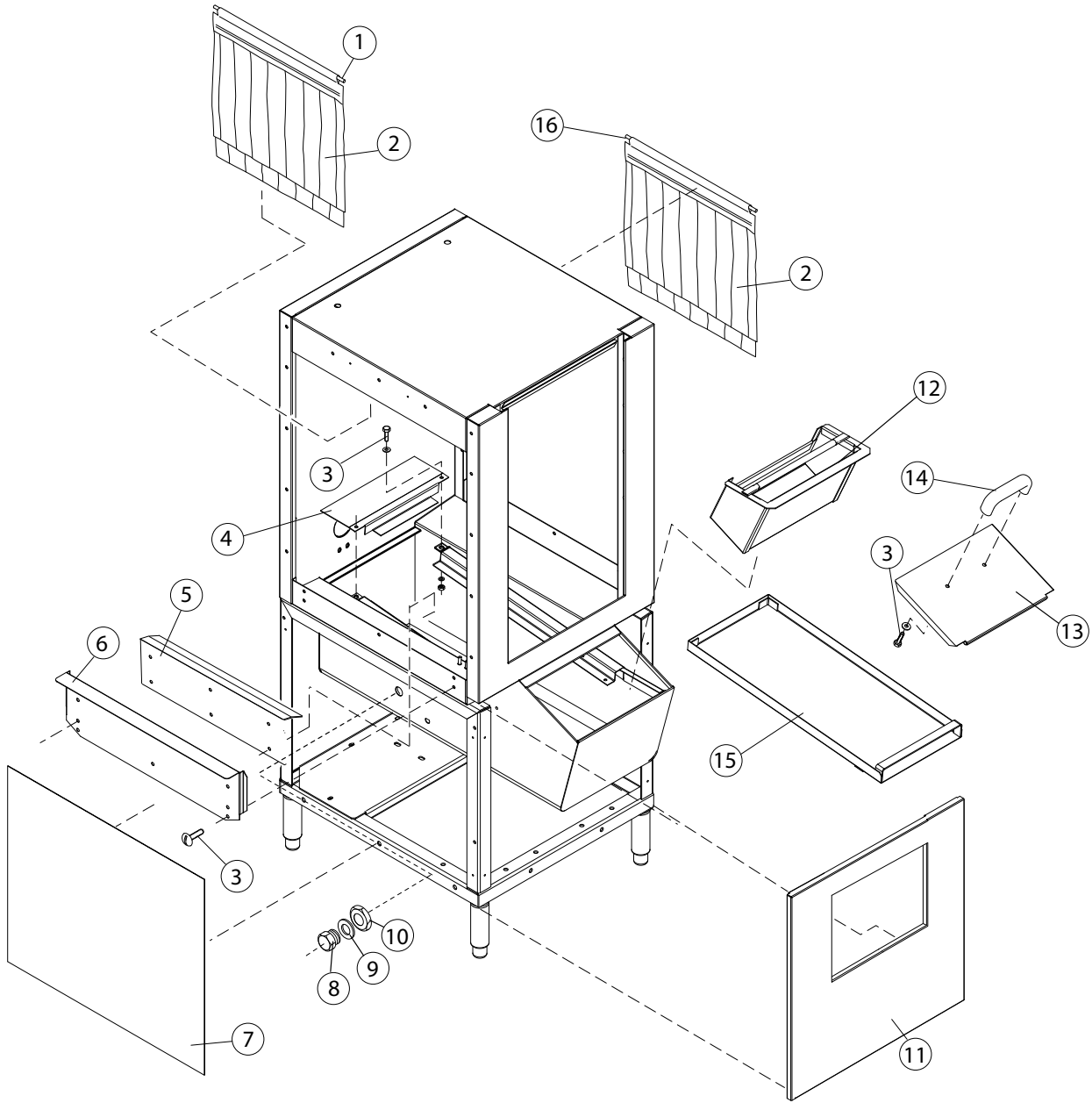
Item No.	Part No.	Description	Qty.
1	103310	LUG, GROUND	1
2	111833	BLOCK, TERMINAL	2
3	109064	TRANSFORMER, 250VA	1
4	112482	FUSE, 3.5A, 208-240V/60/ 1 & 3	2
--	112484	FUSE, 1.5A 460-480V, 380-415V, 575V	2
5	112424	BLOCK, FUSE KIT	1
6	114514	TERMINAL, SINGLE ST 2.5 WHITE	7
7	114519	BLOCK, END E/NS 35 N	1
8	114523	BRIDGE, 2-POLE	2
9	111153	BLOCK, FUSE	3
10	116213	FUSE, LPCC 0.5A	2
11	111068	RELAY, 2PDT 120VAC	2
12	111036	SOCKET, RELAY	2
13	115019	PUSHBUTTON, GREEN	1
14	116509	HMI, IDEC 4.3" TFT DISPLAY	1
15	115607	POWER SUPPLY, 24VDC, 30W	1
16	112901	FUSE, LPCC 1.0A	1
17	116507	CABLE, HMI TO PLC	1
18	115603	PLC (Prior to S/N RP17121325)	1
---	116713	PLC (Beginning with S/N RP17121325 and above)	1
19	115608	MODULE, INPUT, 8 CHANNEL, THERMISTOR	1
20	116556	MODULE, OUTPUT 2 CHANNEL, ANALOG (VHR ONLY)	1
21	115605	MODULE, OUTPUT 8-POINT RELAY (VHR ONLY)	1
22	114524	BRIDGE, 3-POLE FBS 3-5	4
23	114520	TERMINAL, SINGLE, MZB 1.5 NS35	6
24	114517	TERMINAL, DOUBLE STTB 2.5	12
25	114512	TERMINAL, SINGLE, ST 2.5 GRAY	16
26	116634	CONTACTOR, 120VAC COIL	4
27	116636	OVERLOAD, 24-32A GV2ME32 (VHR ONLY)	1
28	114515	TERMINAL, SINGLE GROUND, ST 2.5 PE, GREEN	3

Control Panel



Item No.	Part No.	Description	Qty.
1	100007	SCREW, 10-32 X 3/8" TRUSS HEAD	3
2	337487	COVER, CABINET 24"	1
3	107431	GASKET, STEAM	3 FT.
4	116507	CABLE, HMI TO PLC	1
5	116509	HMI, IDEC 4.3" TFT DISPLAY	1
6	115019	PUSHBUTTON, GREEN	1

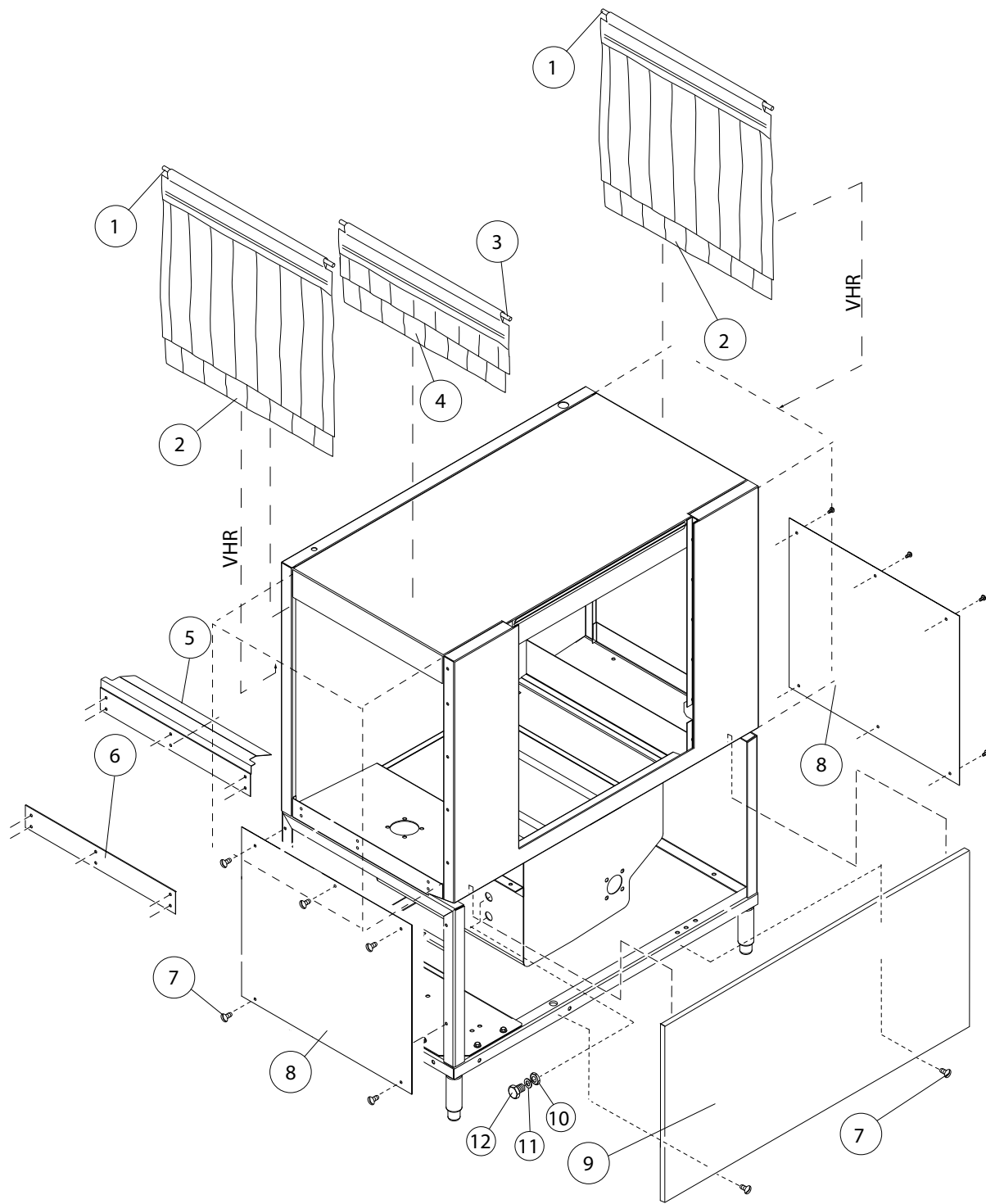
Prewash Panels and Curtains



(L-R Direction Shown)

Item No.	Part No.	Description	Qty.
1	108250	ROD CURTAIN 5/16 X 24-5/8"	1
2	113720	CURTAIN 24 X 20-1/4"	2
3	100073	SCREW 1/4-20 X 1/2 TRUSS HEAD	8
4	328006	SUPPORT, 22" PW REAR SCREEN	1
5	329927	BAFFLE, TABLE FLANGE	1
6	328030	TABLE FLANGE SUPPORT	1
7	337085	PANEL, 25" END STANDARD	1
8	108418	PLUG, 1/2"	2
9	109034	GASKET	2
10	108417	NUT	2
11	337213	PANEL ASSY. FRONT PERIMETER 22" PW	1
-	334756	PANEL ASSY. FRONT PERIMETER 26" PW	1
-	335224	PANEL ASSY. FRONT PERIMETER 36" PW	1
12	328959	BASKET, REFUSE 22"	1
-	329492	BASKET, REFUSE 26"	1
-	328967	BASKET, REFUSE 36"	1
13	328427	COVER, REFUSE BASKET 22" PW	1
-	328524	COVER, REFUSE BASKET 36" PW	1
14	108966	HANDLE, DOOR	1
15	328958	SCREEN, SCRAP, 22" AND 26" PW	1
---	328960	SCREEN, SCRAP 36" PW	2
16	114012	ROD, CURTAIN 5/16" X 23.63"	1

Single Tank Panels and Curtains



(R-L Direction Shown)

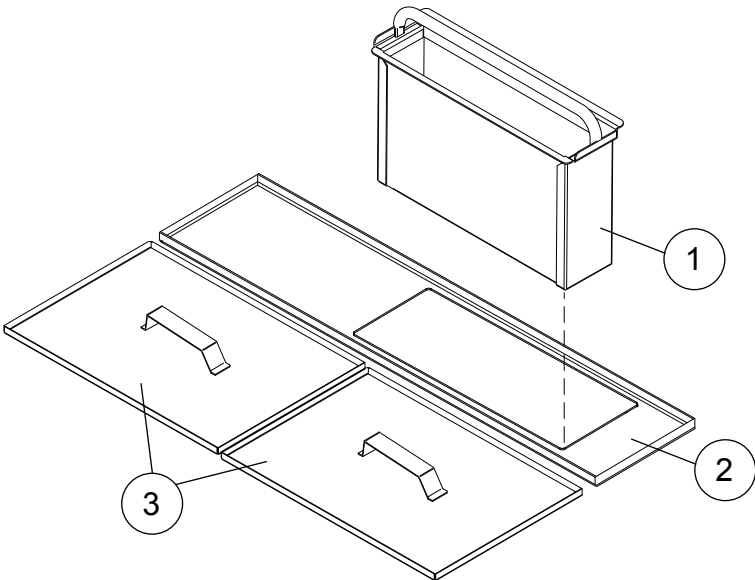
Single Tank Panels and Curtains

Item No.	Part No.	Description	Qty.
1*	108250	ROD, CURTAIN 5/16" X 24-5/8"(LONG)	2
2*	113720	CURTAIN 24" X 20-1/4" (LONG CURTAIN)	2
3	114012	ROD, CURTAIN, 5/16" X 23-1/2"(SHORT)	1
4	109723	CURTAIN 24" X 6 -1/4" (RINSE CURTAIN)	1
5	329927	BAFFLE, FLANGE WITH CUTOUT	1
6	328451	FLANGE, TABLE	2
7	100073	SCREW, 1/4-20 X 1/2" TRUSS HEAD	13
8	337085	PANEL, 25" END STANDARD	2
9	337084	PANEL, FRONT	1
10	108417	NUT, 1/2" NPT	4
11	109034	GASKET	4
12	108418	PLUG, 1/2" NPT	4
---	113944	NUT, 3/4" NPT (NOT SHOWN)	3
---	108620	GASKET (NOT SHOWN)	3
---	113943	PLUG, 3/4" NPT (NOT SHOWN)	3

* STANDARD = 2 LONG CURTAINS

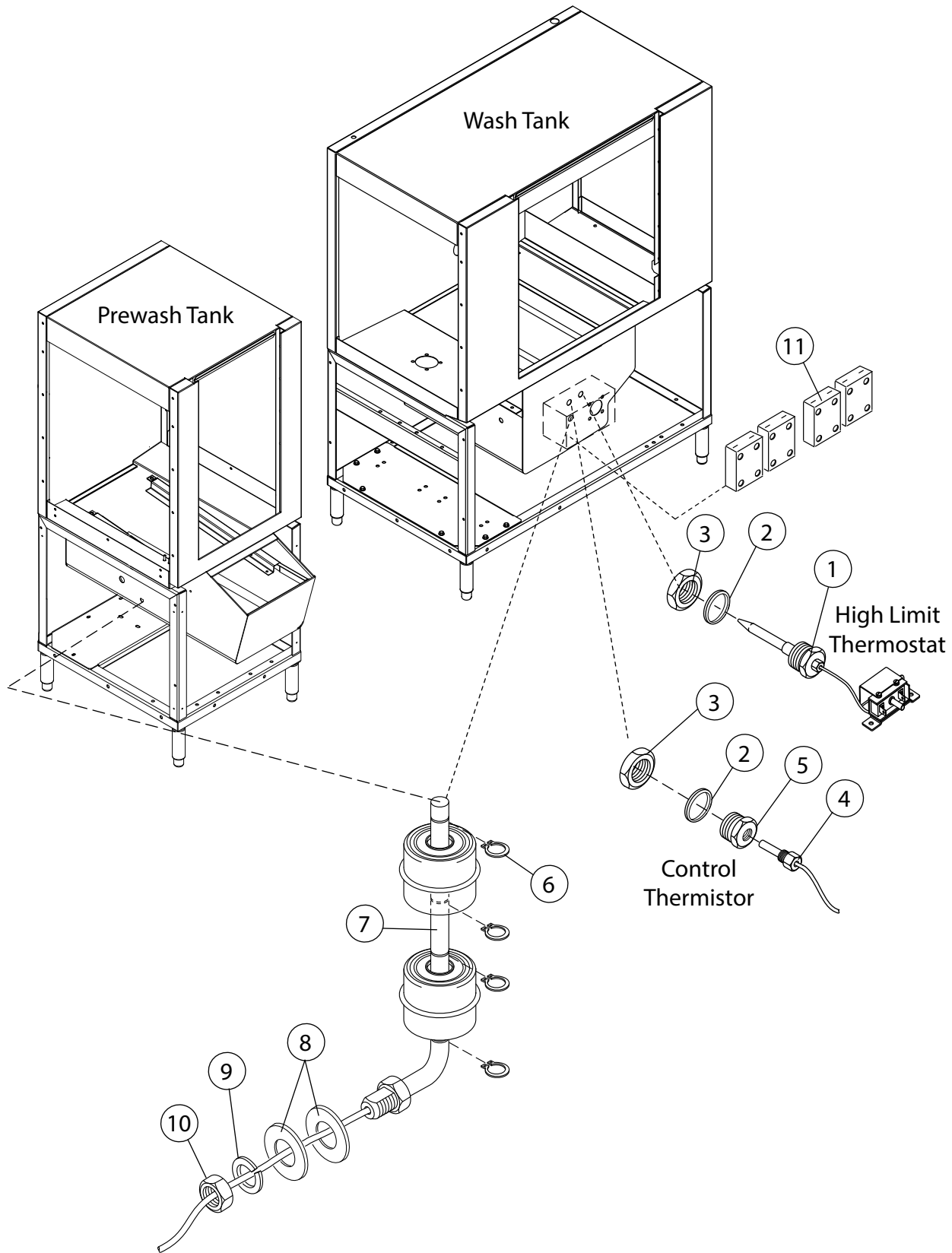
* VHR = 4 LONG CURTAINS

Single Tank Scrap Screens



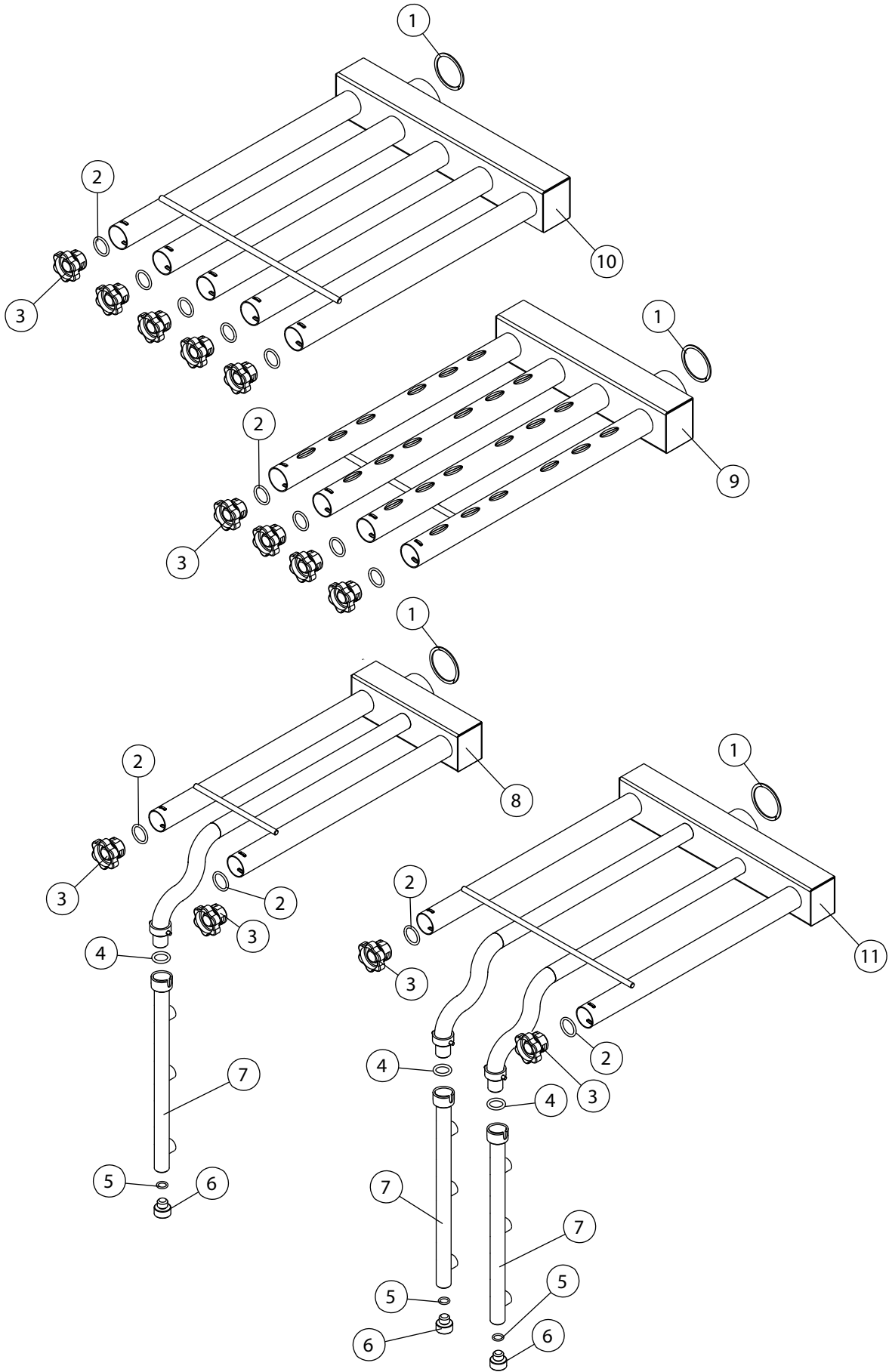
Item No.	Part No.	Description	Qty.
1	337560	SCRAP, BASKET	1
2	337556	FILLER, SCRAP BASKET	1
3	337205	SCREEN, SCRAP	2

Float Switch, Thermostats, SSR



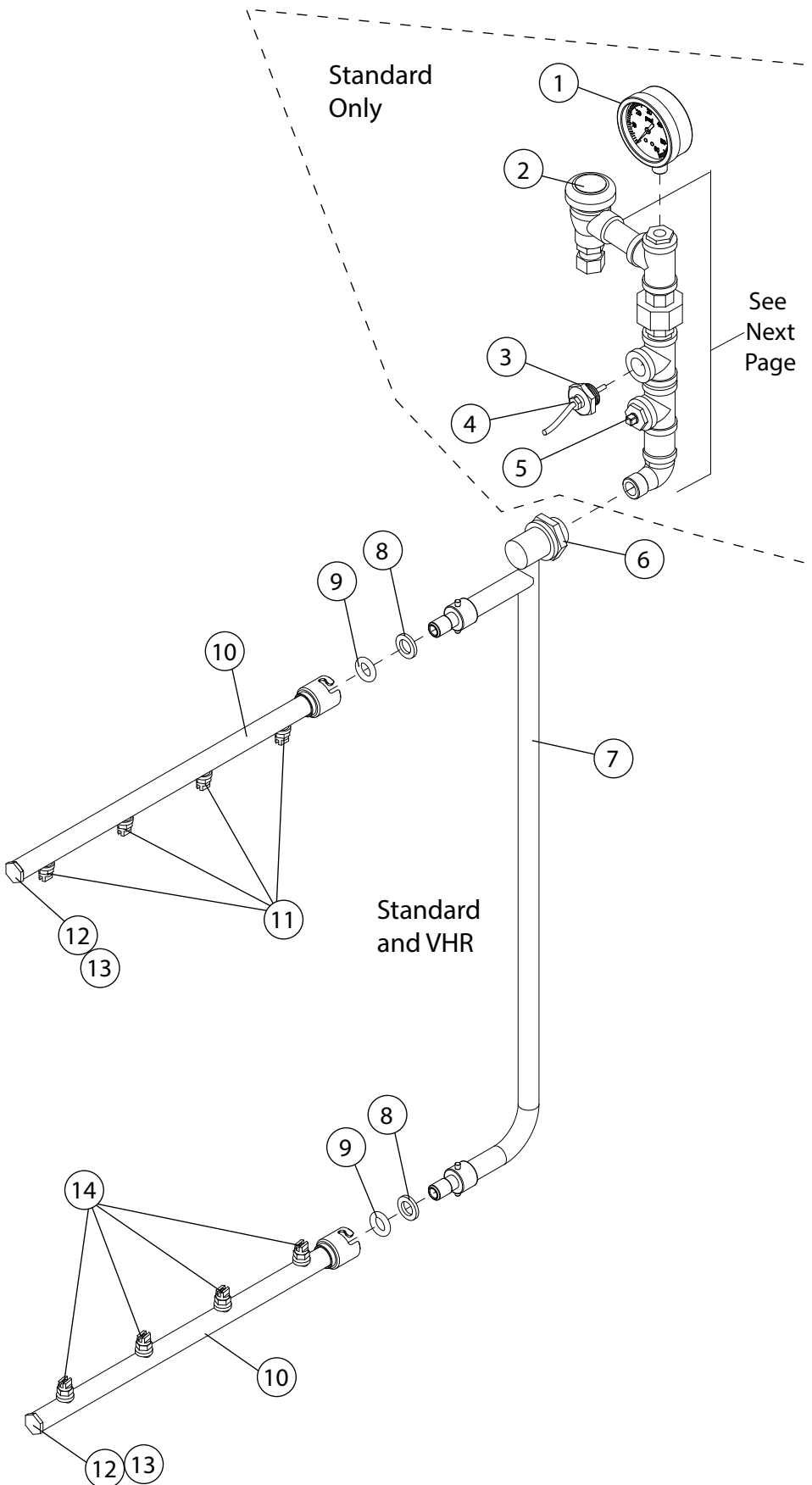
Item No.	Part No.	Description	Qty.
1	110561	THERMOSTAT, FIXED HIGH LIMIT	1
2	115489	O-RING	1
3	100547	LOCKNUT, 1/2" NPT SST	1
4	114435	THERMISTOR, 10k Ω , 36" LEAD	1
5	0512299	ADAPTER	1
6	111151	C-CLIP	A/R
7	110854	FLOAT SWITCH, DUAL PREWASH	1
---	113291	FLOAT SWITCH, DUAL WASH	1
8	104882	WASHER, FLAT 1/2" SST	2
9	107589	WASHER, LOCK 1/2" SST	1
10	104584	NUT, PLAIN 1/2-13	1
---	110750	GASKET, FLOAT SWITCH (NOT SHOWN)	1
11	115648	RELAY, SOLID STATE, SSR	4

Wash Arms



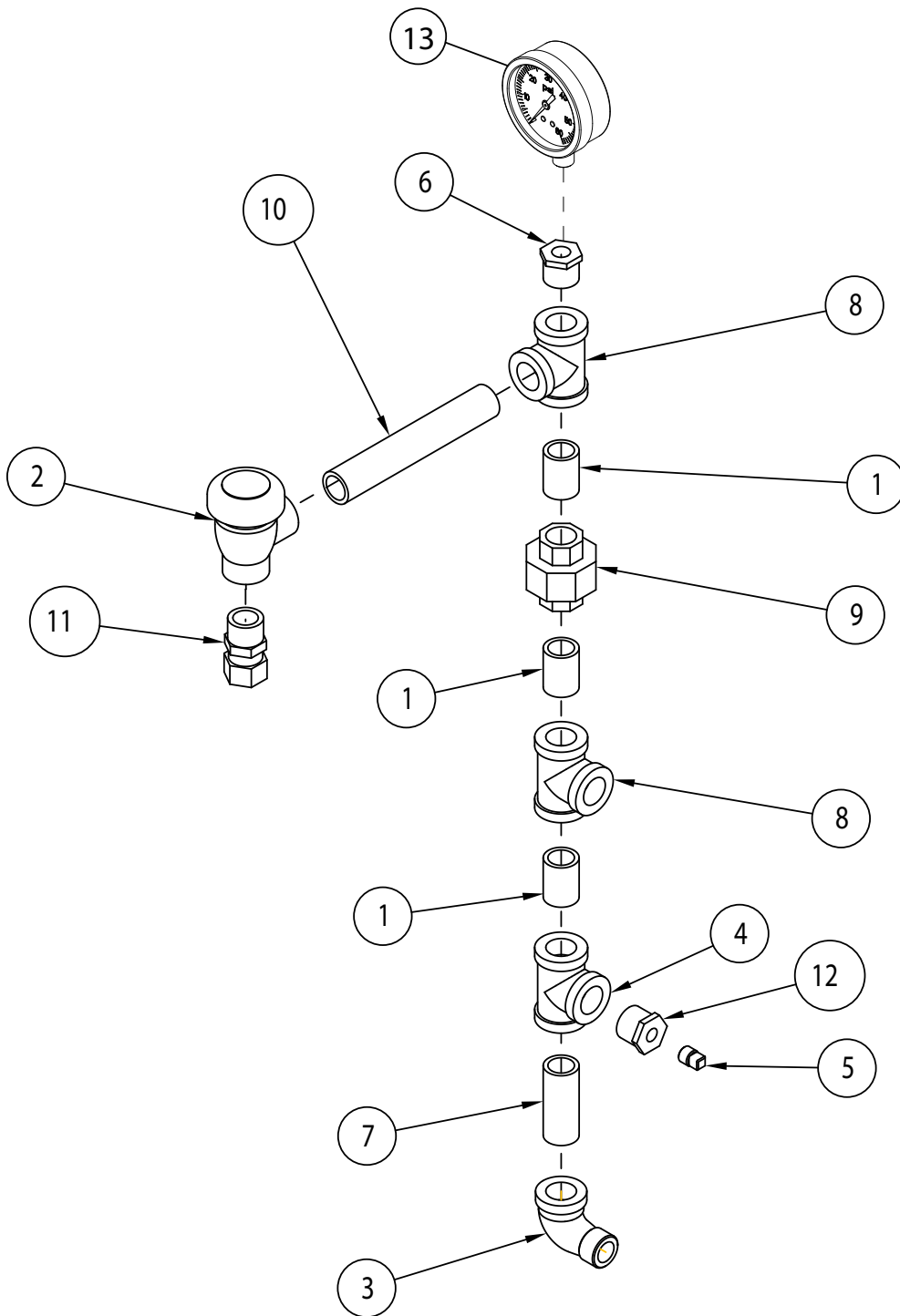
Item No.	Part No.	Description	Qty.
1	116609	O-RING, WASH ARM	1
2	104414	O-RING, END CAP	A/R
3	112240	CAP, END WASH ARM	A/R
4	116608	O-RING, PREWASH SIDE ARM	A/R
5	113716	O-RING	A/R
6	113555	PLUG, CLEANOUT	A/R
7	337656	SPRAYPIPE, SIDEWASH 22/36PW, STD HEIGHT	A/R
---	338214	SPRAYPIPE, SIDEWASH 22PW, HIGH HOOD	1
8	337665	WASH ARM MANIFOLD, PREWASH 22" RL	1
---	337657	WASH ARM MANIFOLD, PREWASH 22" LR	1
9	337569	WASH ARM MANIFOLD, LOWER RL	1
---	337570	WASH ARM MANIFOLD, LOWER LR	1
10	337574	WASH ARM MANIFOLD, UPPER RL	1
---	337573	WASH ARM MANIFOLD, UPPER LR	1
11	337988	WASH ARM MANIFOLD, PREWASH 36PW (RL &LR)	1

Final Rinse Arms



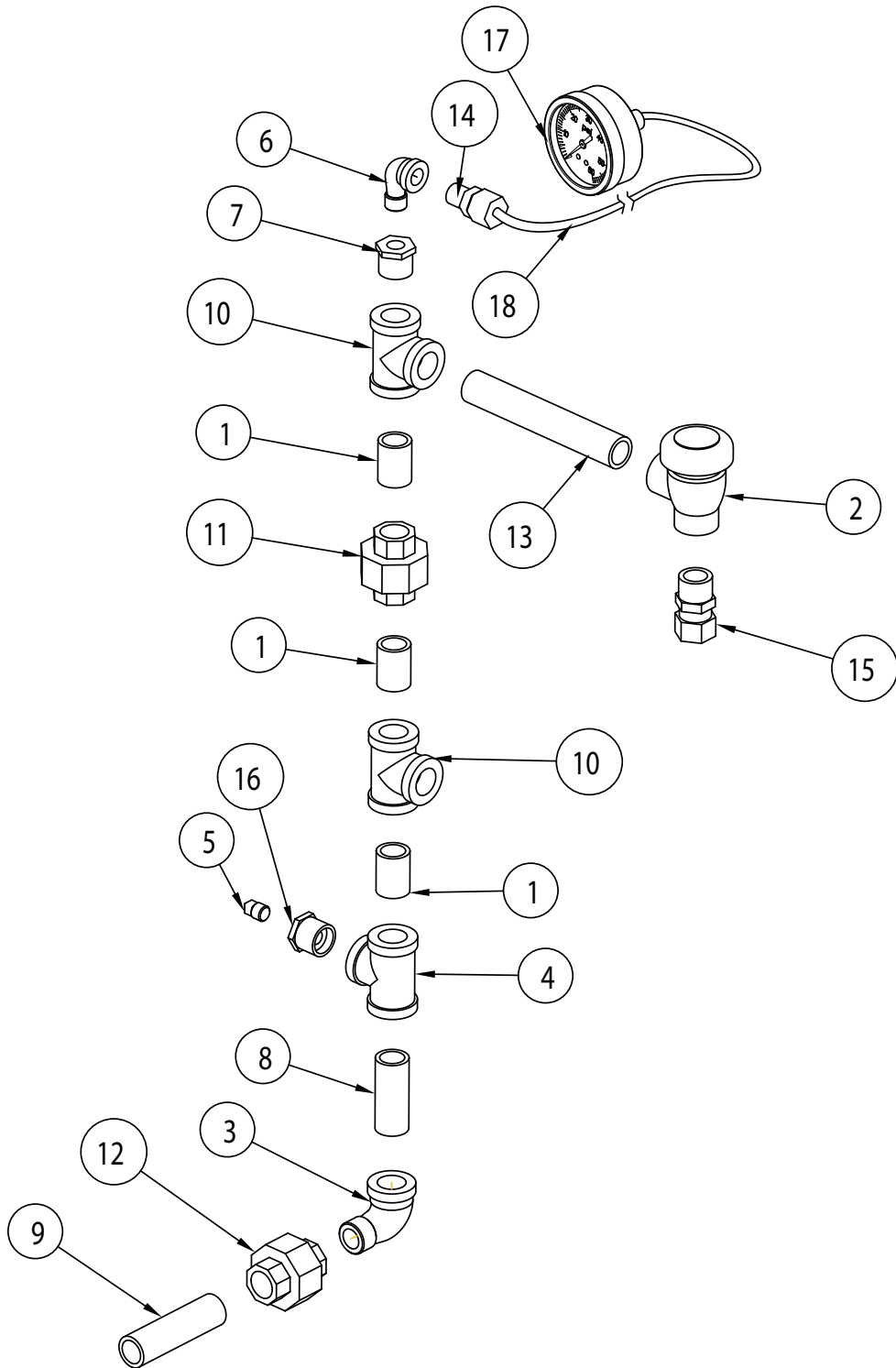
Item No.	Part No.	Description	Qty.
1	100135	GAUGE, PRESSURE, 0-60 PSI	1
2	100500	BREAKER, VACUUM 1/2" NPT BRONZE	1
---	900836	KIT, REPAIR, VACUUM BREAKER 1/2"	A/R
3	0512299	ADAPTER	1
4	114435	THERMISTOR, 10K Ω , 36" LEAD	1
5	101259	PLUG, 1/8" NPT, SQ. HEAD, BRASS	1
6	100156	LOCKNUT, 3/4" NPT BRASS	1
7	338340	MANIFOLD, STANDARD FINAL RINSE, LR	1
---	338341	MANIFOLD, STANDARD FINAL RINSE, RL	1
---	338342	MANIFOLD, HIGH HOOD FINAL RINSE, LR	1
---	338343	MANIFOLD, HIGH HOOD FINAL RINSE, RL	1
8	114291	WASHER, SILICONE	2
9	114290	O-RING	2
10	337056	ARM, FINAL RINSE	2
11	111938	NOZZLE, FINAL RINSE 8004	4
12	113795	PLUG, RINSE ARM	2
13	113716	O-RING	2
14	114181	NOZZLE, FINAL RINSE 8002	4

Standard Final Rinse Supply



Item No.	Part No.	Description	Qty.
P/N 602175 - FINAL RINSE PIPING			
1	100209	NIPPLE, 1/2" NPT X CLOSE, BRASS	3
2	100500	BREAKER, VACUUM 1/2" NPT BRONZE	1
---	900836	KIT, VACUUM BREAKER 1/2"	A/R
3	100516	ELBOW, STREET, 1/2" NPT X 90° SST	1
4	100554	TEE, 1/2" NPT SST	1
5	101259	PLUG, 1/8" NPT SQ. HEAD BRASS	1
6	102388	BUSHING, REDUCING 1/2" NPT X 1/4" NPT BRASS	1
7	102461	NIPPLE, 1/2" NPT X 2" LG. SST	1
8	102514	TEE, 1/2" NPT BRASS	2
9	102549	UNION, 1/2" NPT BRASS	1
10	102574	NIPPLE, 1/2" NPT X 5" LG. BRASS	1
11	109925	FITTING, COMPRESSION 5/8" OD X 1/2" MPT BRASS	1
12	114717	BUSHING, REDUCING 1/2" NPT X 1/8" NPT SST	1
13	100135	GAUGE, PRESSURE, 0-60 PSI	1

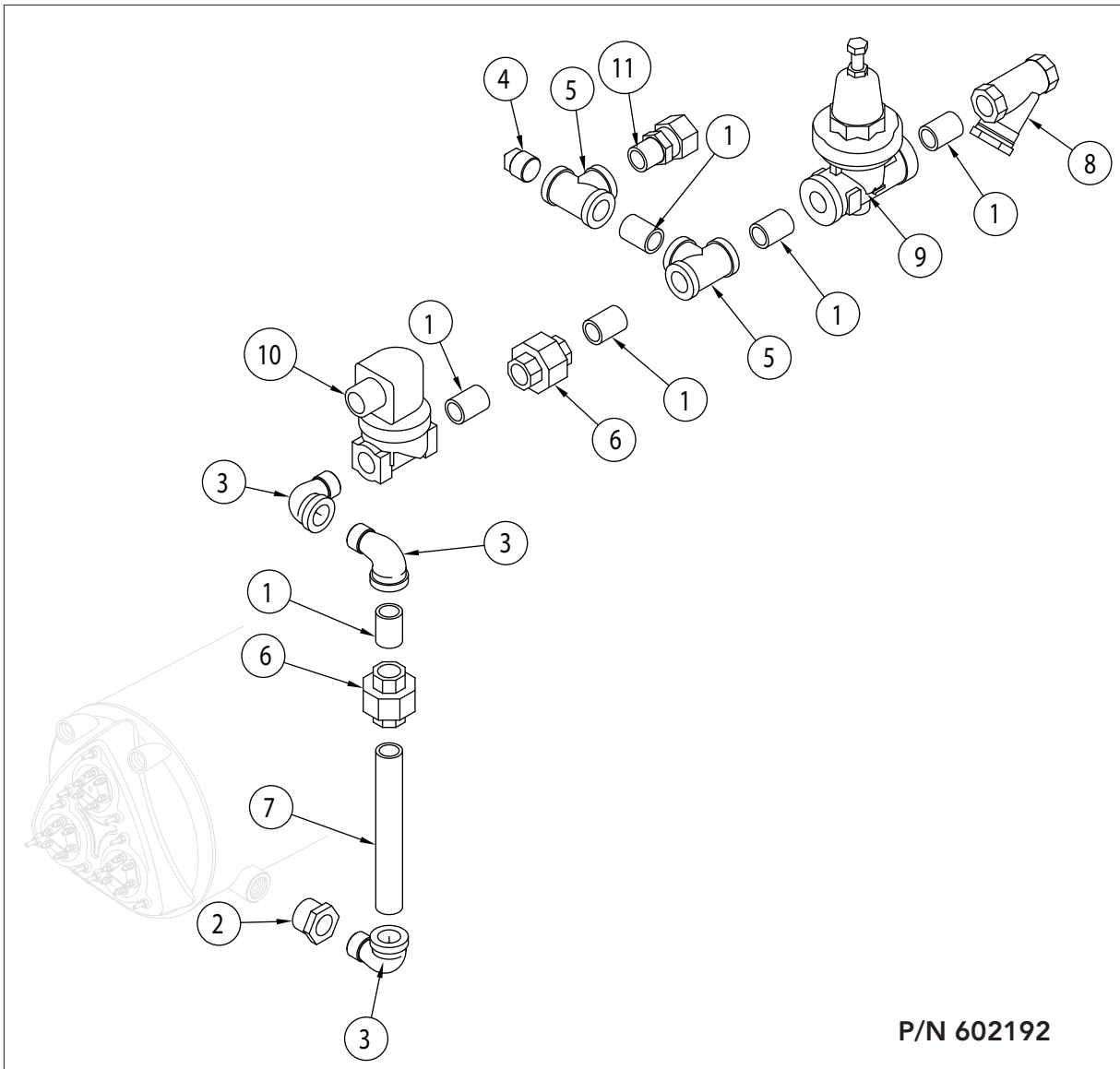
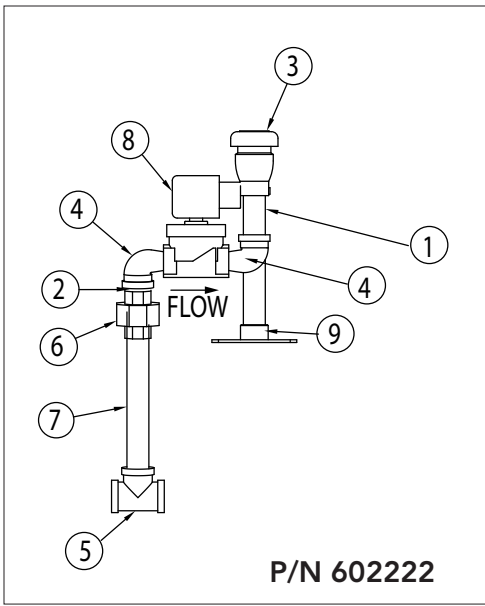
VHR Final Rinse Supply



Item No.	Part No.	Description	Qty.
P/N 602175 - FINAL RINSE PIPING			
1	100209	NIPPLE, 1/2" NPT X CLOSE, BRASS	3
2	100500	BREAKER, VACUUM 1/2" NPT BRONZE	1
---	900836	KIT, VACUUM BREAKER 1/2"	A/R
3	100516	ELBOW, STREET 1/2" NPT X 90° SST	1
4	100554	TEE, 1/2" NPT SST	1
5	101259	PLUG, 1/8" NPT SQ. HEAD BRASS	1
6	101261	ELBOW, STREET, 1/4" NPT X 90° SST	1
7	102388	BUSHING, REDUCING 1/2" NPT X 1/4" NPT BRASS	1
8	102461	NIPPLE, 1/2" NPT X 2" LG. SST	1
9	102463	NIPPLE, 1/2" NPT X 3" LG. SST	1
10	102514	TEE, 1/2" NPT BRASS	2
11	102549	UNION, 1/2" NPT BRASS	1
12	102550	UNION, 1/2" NPT SST	1
13	102574	NIPPLE, 1/2" NPT X 5" LG. BRASS	1
14	107065	ADAPTER, 1/4" OD X 1/4" MPT PLASTIC	1
15	109925	FITTING, COMPRESSION 5/8" OD X 1/2" MPT BRASS	1
16	114717	BUSHING, REDUCING 1/2" NPT X 1/8" NPT SST	1
17	109812	GAUGE, PRESSURE, 0-60 PSI	1
18	107928	TUBING, 1/4" NATURAL	A/R
19	111100	FITTING, 1/4" TUBE X 1/8" FNPT	1

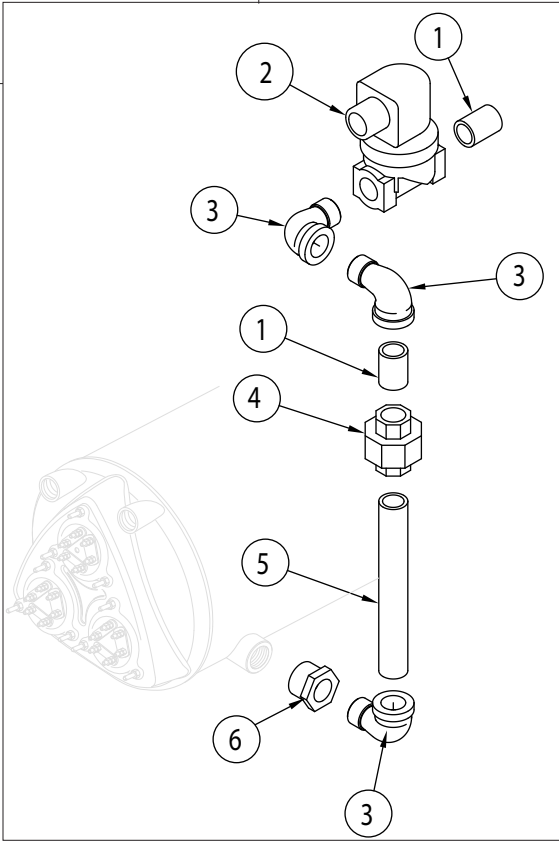
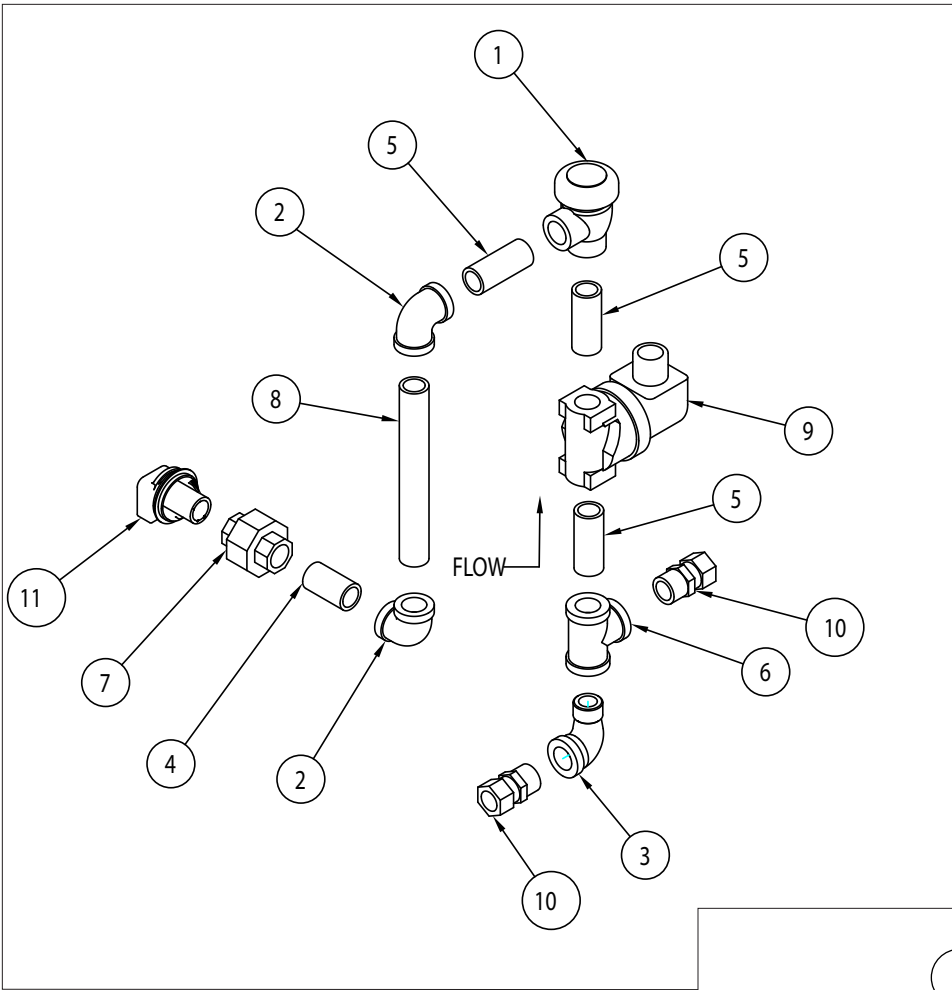
NOTE: PURCHASE PEX HOSE LOCALLY, IT IS NOT AVAILABLE FROM THE FACTORY

Standard Fill Piping



Item No.	Part No.	Description	Qty.
P/N 602222 -UPPER FILL PIPING			
1	100206	NIPPLE, 1/2" NPT X 2-1/2" LG. BRASS	1
2	100209	NIPPLE, 1/2" NPT X CLOSE BRASS	1
3	100500	BREAKER, VACUUM 1/2" NPT BRONZE	1
---	900836	KIT, REPAIR, VACUUM BREAKER 1/2"	1
4	102438	ELBOW, STREET 1/2" NPT X 90°, BRASS	3
5	102514	TEE, 1/2" NPT, BRASS	1
6	102549	UNION, 1/2" NPT, BRASS	1
7	102578	NIPPLE, 1/2" NPT X 6" BRASS	1
8	109886	VALVE, SOLENOID, 1/2" NPT, HW, 120VAC COIL	1
---	109902	KIT, REPAIR VALVE 1/2"	A/R
---	108516	COIL, SOLENOID VALVE 120VAC	A/R
9	337505	FLANGE, FILL COUPLING 1/2"	1
P/N 602192 - BOOSTER FILL PIPING			
1	100209	NIPPLE, 1/2" NPT X CLOSE BRASS	6
2	102392	BUSHING, REDUCING 3/4"NPT X 1/2" NPT BRASS	1
3	102438	ELBOW, STREET 1/2" NPT X 90°, BRASS	3
4	102504	PLUG, 1/2" NPT SQ. HEAD BRASS	1
5	102514	TEE, 1/2" NPT, BRASS	2
6	102549	UNION, 1/2" NPT, BRASS	2
7	102578	NIPPLE, 1/2" NPT X 6" BRASS	1
8	104421	STRAINER, LINE 1/2" NPT, BRONZE	1
9	108265	VALVE, PRESSURE REGULATING 1/2"NPT, BRONZE	1
10	109886	VALVE, SOLENOID, 1/2" NPT, HW, 120VAC COIL	1
---	109902	KIT, REPAIR VALVE 1/2"	A/R
---	108516	COIL, SOLENOID VALVE 120VAC	A/R
11	114384	FITTING, COMPRESSION 7/8" OD X 1/2" NPT BRASS	1

VHR Prewash and Booster Fill Piping



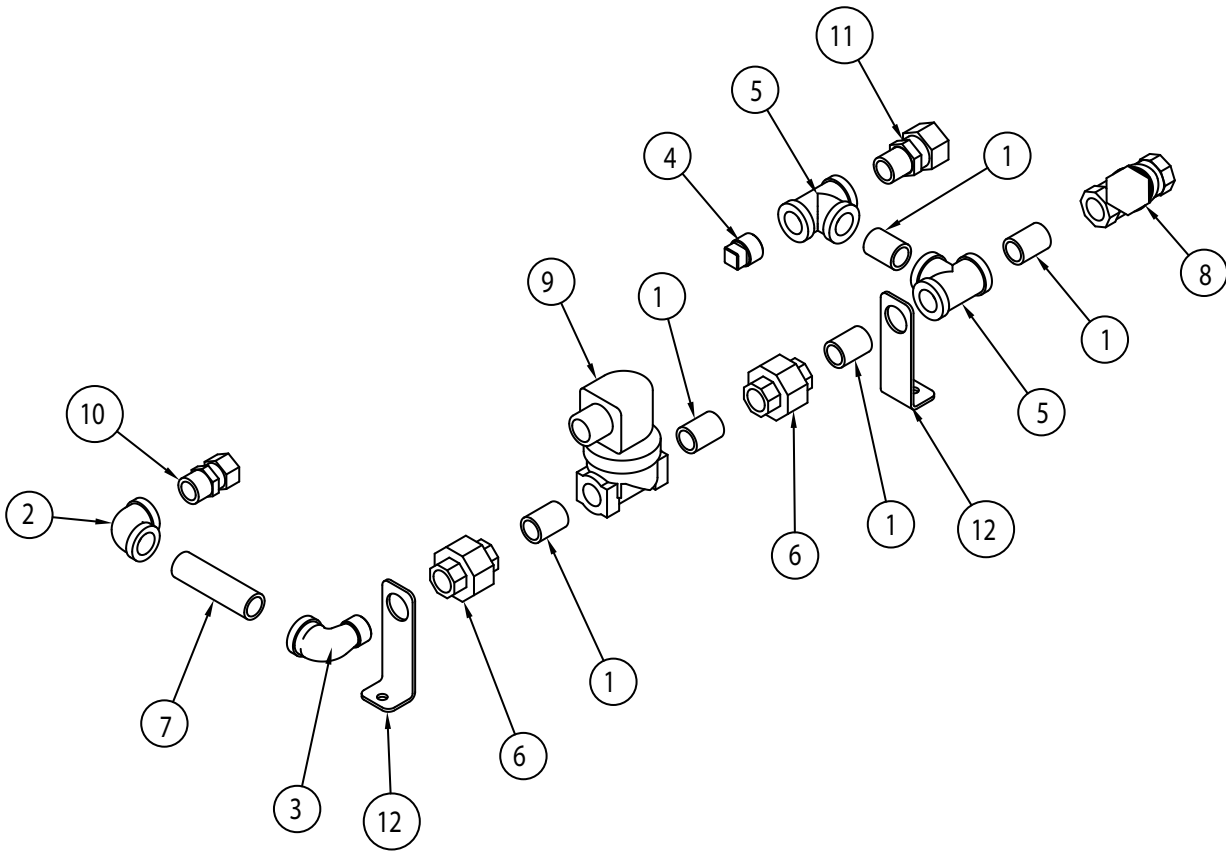
Item No.	Part No.	Description	Qty.
P/N 602261 - PREWASH FILL			
1	100500	BREAKER, VACUUM 1/2" NPT BRONZE	1
---	900836	KIT, VACUUM BREAKER 1/2"	A/R
2	102435	ELBOW, 1/2" NPT X 90° SST	2
3	102438	ELBOW, STREET, 1/2" NPT X 90° SST	1
4	102485	NIPPLE, 1/2" NPT X 1-1/2" LG. BRASS	1
5	102492	NIPPLE, 1/2" NPT X 2" LG. BRASS	3
6	102514	TEE, 1/2" NPT BRASS	2
7	102549	UNION, 1/2" NPT BRASS	1
8	102492	NIPPLE, 1/2" NPT X 6" LG. BRASS	3
9	109886	VALVE, SOLENOID, 1/2" NPT, HW, 120VAC COIL	1
---	109902	KIT, REPAIR VALVE 1/2"	A/R
---	108516	COIL, SOLENOID VALVE 120VAC	A/R
10	109925	FITTING, COMPRESSION 5/8" OD X 1/2" MPT BRASS	2
11	111325	NOZZLE, FLUSHING, POLISHED CHROME	1

NOTE: PURCHASE PEX HOSE LOCALLY, IT IS NOT AVAILABLE FROM THE FACTORY

VHR BOOSTER FILL

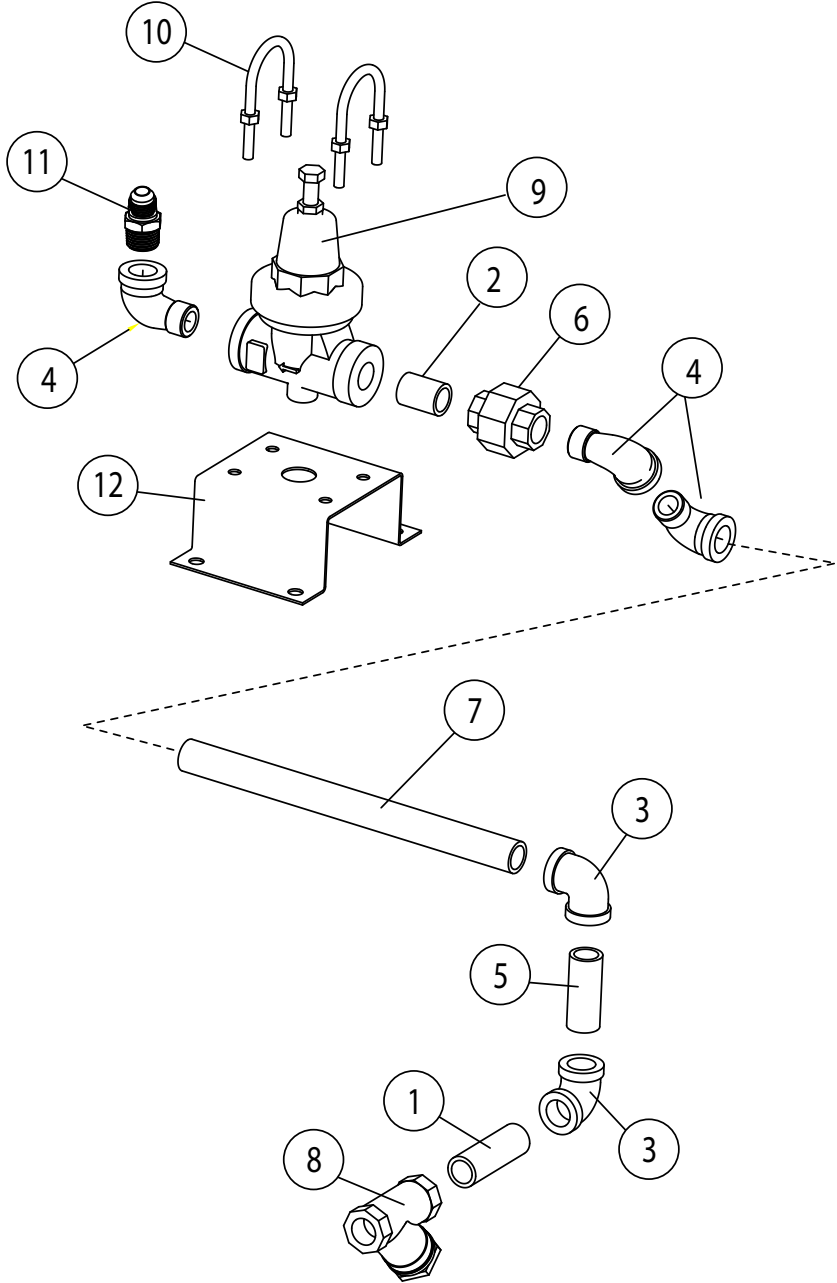
1	100209	NIPPLE, 1/2" NPT X CLOSE BRASS	2
2	109886	VALVE, SOLENOID, 1/2" NPT, HW, 120VAC COIL	1
---	109902	KIT, REPAIR VALVE 1/2"	A/R
---	108516	COIL, SOLENOID VALVE 120VAC	A/R
3	102438	ELBOW, STREET, 1/2" NPT X 90° SST	3
4	102549	UNION, 1/2" NPT BRASS	1
5	102578	NIPPLE, 1/2" NPT X 6" BRASS	1
6	102392	BUSHING, REDUCING 3/4"NPT X 1/2" NPT BRASS	1

No Booster Fill Piping



Item No.	Part No.	Description	Qty.
1	100209	NIPPLE, 1/2" NPT X CLOSE BRASS	5
2	102435	ELBOW, 1/2" NPT X 90° SST	1
3	102438	ELBOW, STREET, 1/2" NPT X 90° SST	1
4	102504	PLUG, 1/2" NPT SQ. HEAD BRASS	1
5	102514	TEE, 1/2" NPT BRASS	2
6	102549	UNION, 1/2" NPT BRASS	2
7	102567	NIPPLE, 1/2" NPT X 3" LG. BRASS	1
8	104421	STRAINER, 1/2" NPT BRONZE	1
9	109886	VALVE, SOLENOID, 1/2" NPT, HW, 120VAC COIL	1
---	109902	KIT, REPAIR VALVE 1/2"	A/R
---	108516	COIL, SOLENOID VALVE 120VAC	A/R
10	109925	FITTING, COMPRESSION 5/8" OD X 1/2" MPT BRASS	1
11	114384	FITTING, COMPRESSION 7/8" OD X 1/2" MPT BRASS	1
12	332454	BRACKET, 1/2" PIP SUPPORT, 3" CL	2

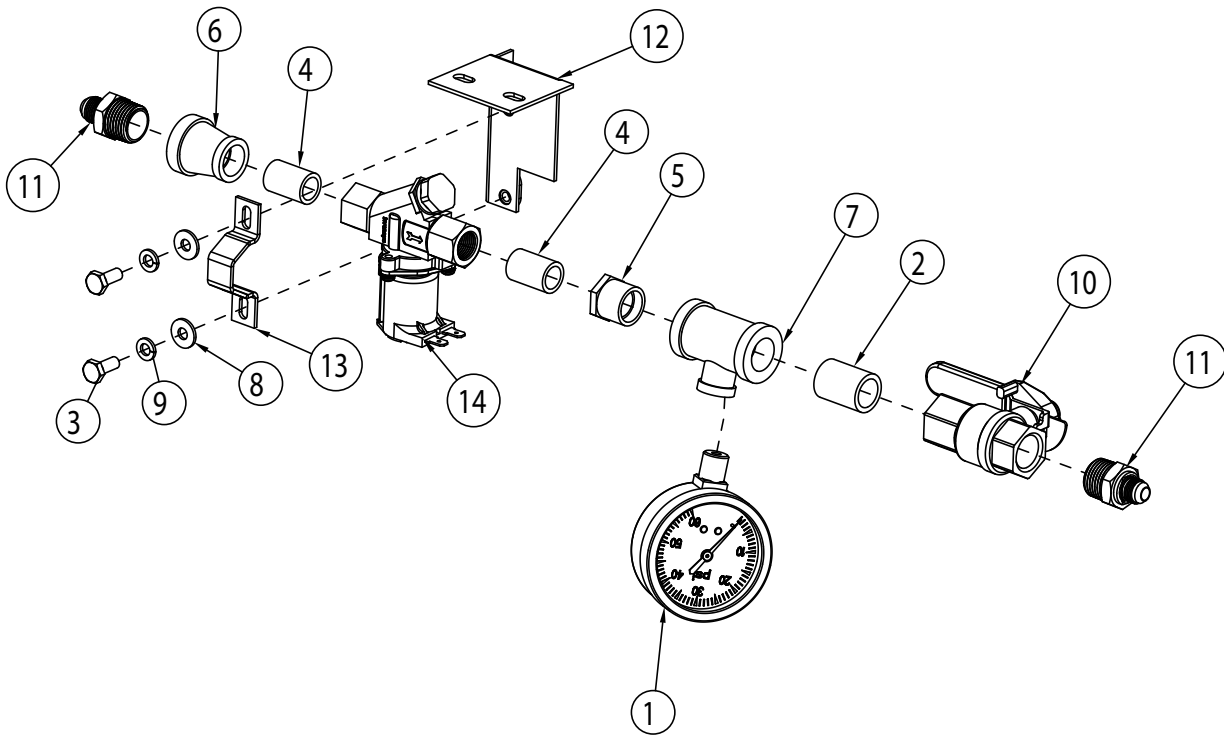
VHR Heat Pump Cold Water Supply



Item No.	Part No.	Description	Qty.
1	100206	NIPPLE, 1/2" NPT X 2-1/2" LG. BRASS	1
2	100209	NIPPLE, 1/2" NPT X CLOSE BRASS	1
3	102435	ELBOW, 1/2" NPT X 90° BRASS	2
4	102438	ELBOW, STREET, 1/2" NPT X 90° BRASS	3
5	102492	NIPPLE, 1/2" NPT X 2" LG. BRASS	1
6	102549	UNION, 1/2" NPT BRASS	1
7	102588	NIPPLE, 1/2" NPT X 10" LG. BRASS	1
8	104421	STRAINER, LINE 1/2" NPT BRONZE	1
9	108265	VALVE, PRESSURE REGULATING, 1/2" NPT BRONZE	1
10	115169	U-BOLT, 1/4-20 X 1-3/8" X L THD X 1-1/2" O.D.	2
11	115101	COUPLING, MALE 1/2" NPT X 1/2, 37D FLARE JIC BRASS	1
12	337992	BRACKET, VALVE SUPPORT CW PRO-VHR	1

NOTE: PURCHASE PEX HOSE LOCALLY, IT IS NOT AVAILABLE FROM THE FACTORY

VHR Heat Pump Pressure Gauge/Valve

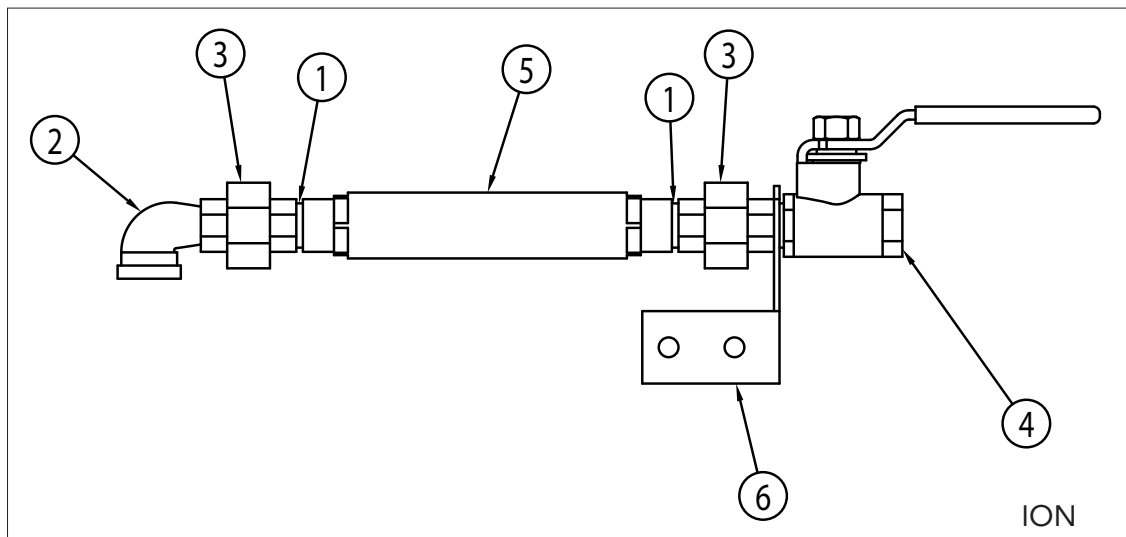
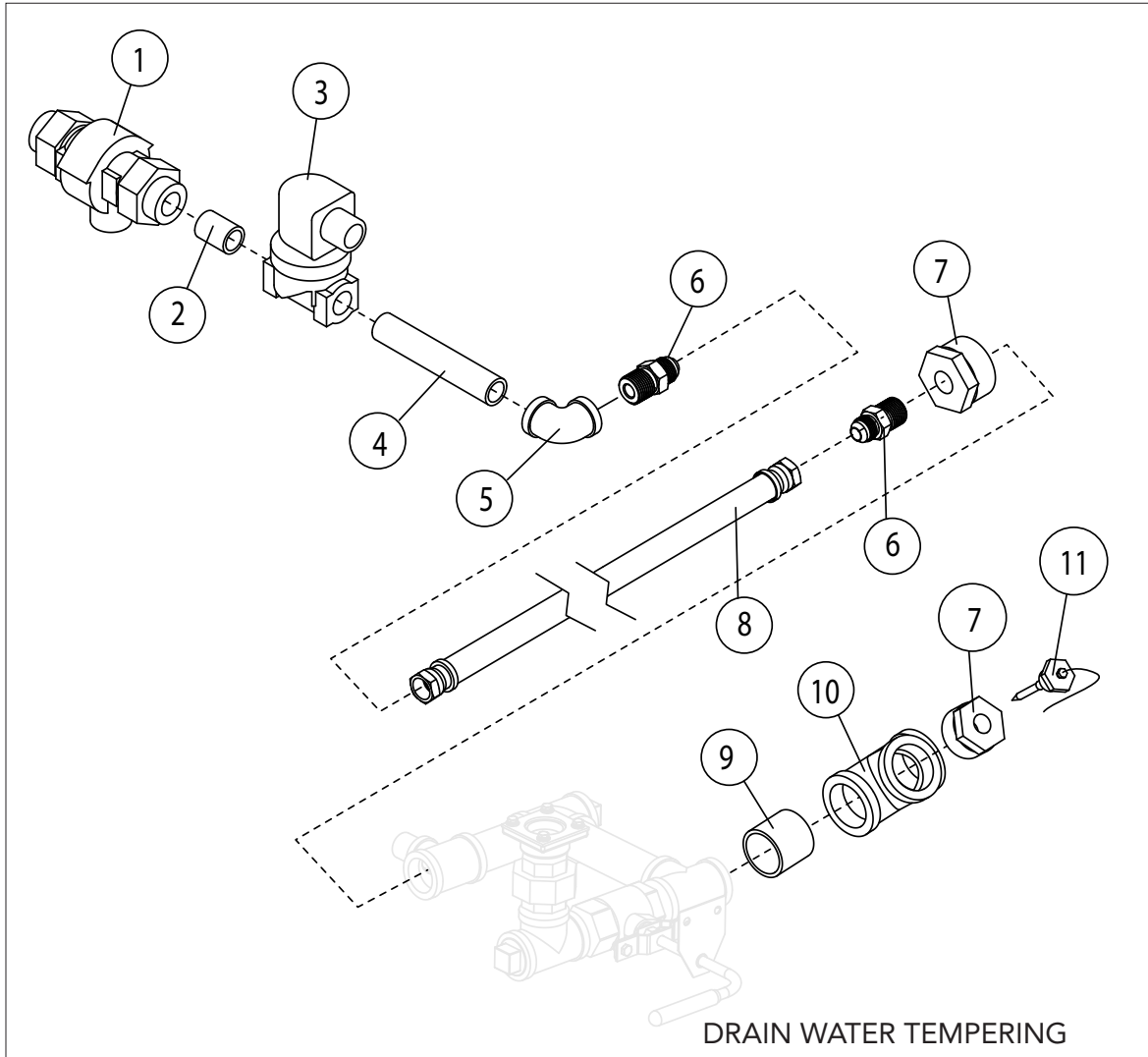


VHR Heat Pump Pressure Gauge/Valve

Item No.	Part No.	Description	Qty.
1	100135	GAUGE, PRESSURE 0-60 PSI	1
2	100209	NIPPLE, 1/2" NPT X CLOSE BRASS	1
3	100735	BOLT, HEX HEAD 1/4-20 X 5/8" SST	2
4	100998	NIPPLE, 3/8" NPT X CLOSE BRASS	2
5	102390	BUSHING, REDUCING 1/2" NPT X 3/8" NPT BRASS	1
6	102414	COUPLING, REDUCER 1/2" X 3/8" BRASS	1
7	102517	TEE, REDUCING 1/2" NPT X 1/2" NPT X 1/4" NPT BRASS	1
8	106026	WASHER, FLAT 1/4" SST	2
9	106482	WASHER, LOCK 1/4" SPLIT, SST	2
10	114460	VALVE, BALL 1/2" FNPT BRASS W/SETTING INDICATOR	1
11	115101	COUPLING, MALE 1/2" NPT X 1/2, 37D FLARE JIC BRASS	2
12	0300065	SUPPORT, VALVE	1
13	0300203	CLAMP	1
14	0504952	VALVE, SOLENOID FILL 5.0 GPM	1
---	0502811	KIT, VALVE REBUILD	A/R
---	0505235	COIL, SOLENOID 115V/60/1 10W	A/R

NOTE: PURCHASE PEX HOSE LOCALLY, IT IS NOT AVAILABLE FROM THE FACTORY

Drain Water Tempering and ION Piping

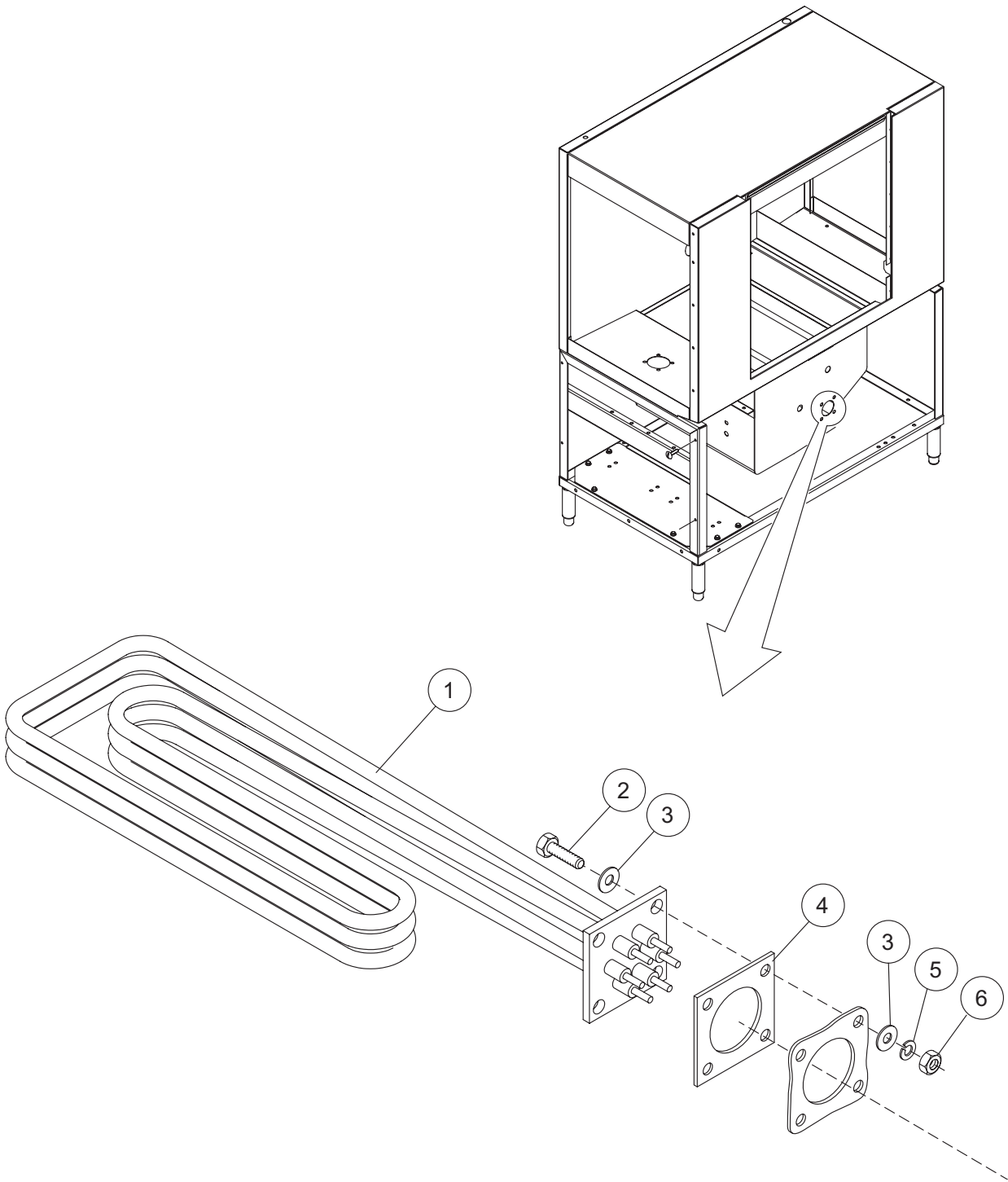


Item No.	Part No.	Description	Qty.
DRAIN WATER TEMPERING			
1	110551	PREVENTER, BACKFLOW 1/2" NPT BRONZE	1
2	100209	NIPPLE, 1/2" NPT X CLOSE BRASS	1
3	109886	VALVE, SOLENOID, 1/2" NPT, HW, 120VAC COIL	1
---	109902	KIT, REPAIR VALVE 1/2"	A/R
---	108516	COIL, SOLENOID VALVE 120VAC	A/R
4	102572	NIPPLE, 1/2" NPT X 4-1/2" LG. BRASS	1
5	102435	ELBOW, 1/2" NPT X 90° SST	1
6	115101	COUPLING, MALE 1/2" NPT X 1/2, 37D FLARE JIC BRASS	2
7	114271	BUSHING, REDUCING 1-1/2" NPT X 1/2" NPT GALV.	2
8	419009	HOSE ASSY, 1/2" ID X 22"	1
9	100043	NIPPLE, 1-1/2" NPT X CLOSE, GALV.	1
10	100036	TEE, 1-1/2" NPT GALV.	1
11	206437	THERMOSTAT, SET @ 105°F DWT 60" CAPILLARY	1
---	116751	MECHANICAL DTV, 1-1/2" NPT (NOT SHOWN)	1

NOTE: PURCHASE PEX HOSE LOCALLY, IT IS NOT AVAILABLE FROM THE FACTORY

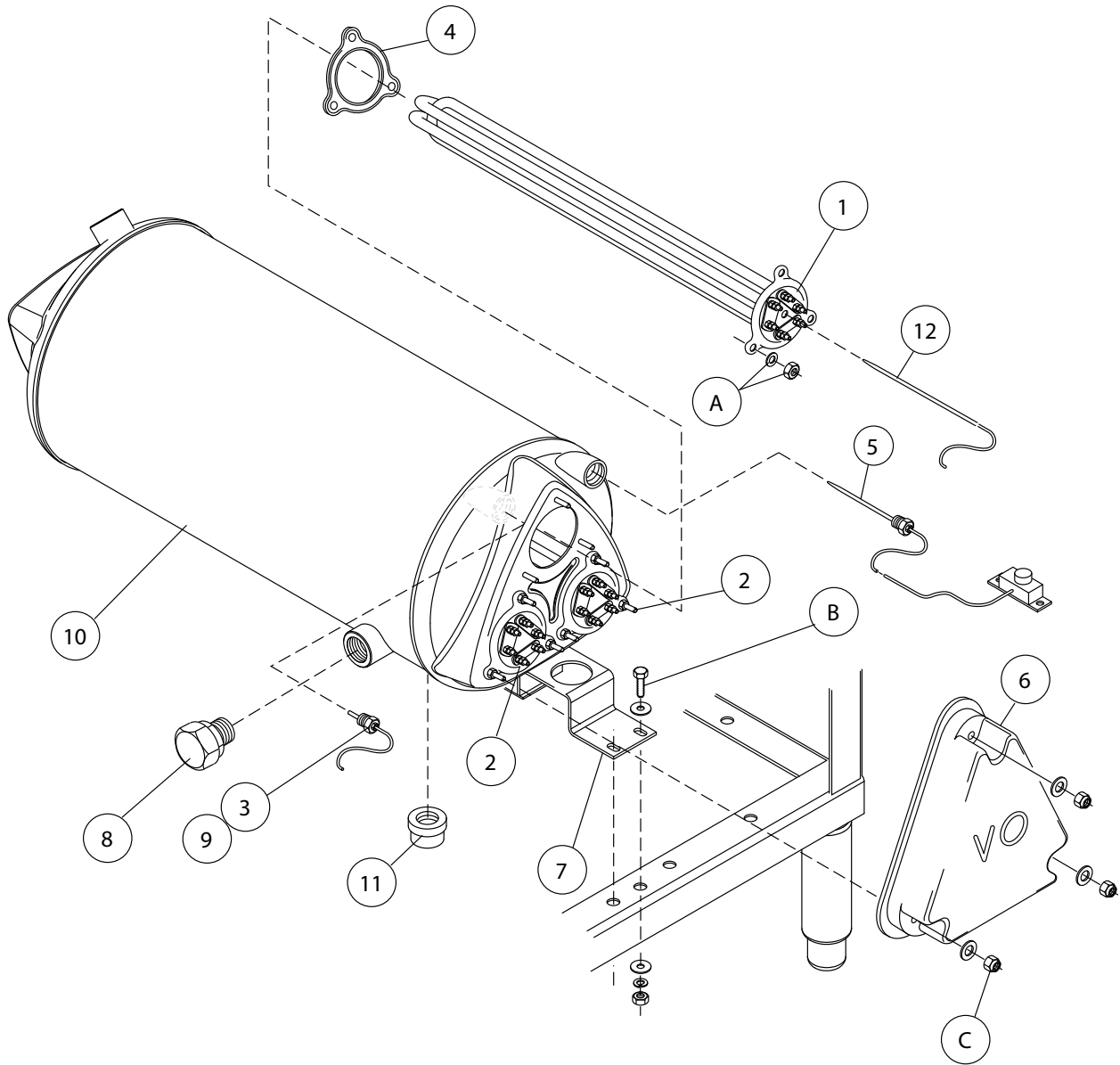
ION PIPING			
1	100209	NIPPLE, 1/2" NPT X CLOSE BRASS	2
2	102438	ELBOW, STREET 1/2" NPT X 90° BRASS	1
3	102549	UNION, 1/2" NPT BRASS	2
4	104749	VALVE, BALL 1/2" NPT BRONZE	1
5	115683	CHAMPION ION WTR. CONDITIONER (0.4-2.3 GPM)	1
6	338208	BRACKET, ION SUPPORT	1

Electric Wash Tank Heat



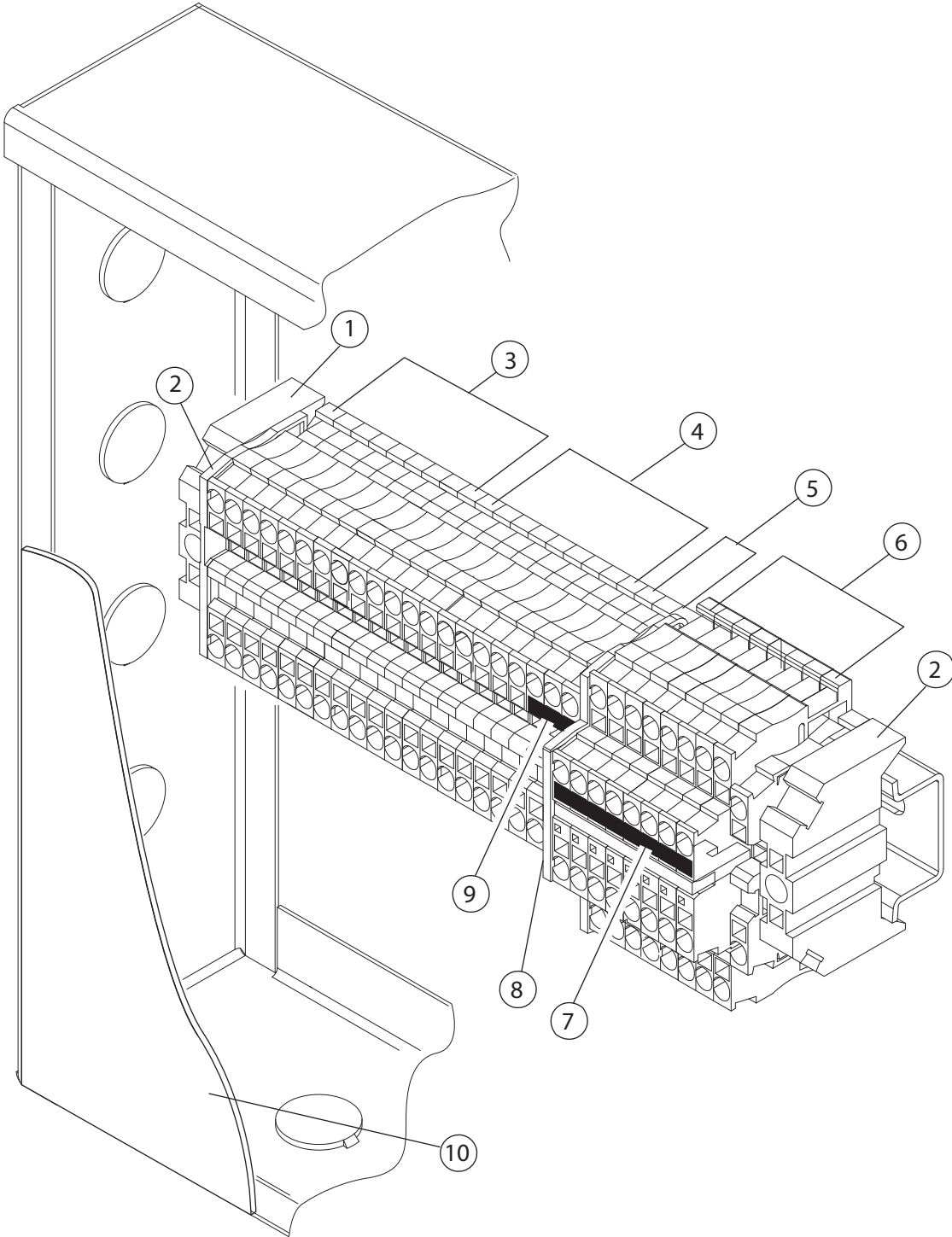
Item No.	Part No.	Description	Qty.
1	113516	HEATER, 15/18KW 200-220V/60/1 & 3, 380V/60/3	1
---	113517	HEATER, 15/16/3 KW 230-240V/60/1 & 3 400-415V/60/3	1
---	113518	HEATER, 15/16.3 KW 460-480V/60/3	1
---	113519	HEATER, 15KW, 575V/60/3	1
2	100153	BOLT, 3/18-16 X 1" HEX HEAD SST	4
3	104618	WASHER, FLAT 3/8" SST	8
4	108345	GASKET, 3" X 3" X 1/8", 2" HOLE	1
5	106407	WASHER, LOCK 3/8" SPLIT SST	4
6	100140	NUT, PLAIN 3/8-16 SST	4

Electric Booster



Item No.	Part No.	Description	Qty.
1	108580	HEATER, 9KW 208/240/200/220V	1
---	116624	HEATER, 9 KW 220V/60/3 CENTER WELL	1
---	116625	HEATER, 9 KW 240V/60/3 CENTER WELL	1
---	116626	HEATER, 9KW 480/60/3 CENTER WELL	1
---	108579	HEATER, 9KW 480V/60/3	1
2	107909	HEATER, 6/8KW 208/240/200/220V	2
---	114031	HEATER, 6KW 480/60/3	2
---	114032	HEATER, 6KW 575/60/3	2
3	116572	THERMISTOR, 10k Ω , (PRIOR TO SN RP18021381)	1
4	109985	SEAL, HEATER FLANGE	3
5	110561	THERMOSTAT, HIGH LIMIT FIXED 240°F	1
6	108576	COVER, BOOSTER	1
7	328254	BRACKET, FRONT BOOSTER	1
8	102505	PLUG, 3/4" NPT BRASS	1
9	0512299	ADAPTER (PRIOR TO SN RP18021381)	1
10	337634	TANK, BOOSTER (PRIOR TO SN RP18021381)	1
---	414331	TANK, BOOSTER (Begin w/SN RP18021381)	1
11	100113	CAP, 3/4" NPT SST	1
12	116754	THERMISTOR, 10k Ω , 6" PROBE (Begin w/SN RP18021381)	1
A	HEATER FASTNERS (QTY. PER HEATER)		
	100003	NUT, PLAIN 1/4-20 SST	3
	106482	WASHER, LOCK 1/4" SPLIT	3
B	BOOSTER TANK FASTENERS		
	100739	BOLT, 5/16-18 X 3/4" HEX HEAD SST	4
	106013	WASHER, LOCK 5/16" SPLIT SST	4
	100142	NUT, GRIP 5/16" W/NYLON INSERT	4
C	HEATER COVER FASTENERS		
	100141	NUT, GRIP 1/4-20 W/NYLON INSERT	3
	106026	WASHER, FLAT 1/4"	3

Lower Junction Box Terminal Block

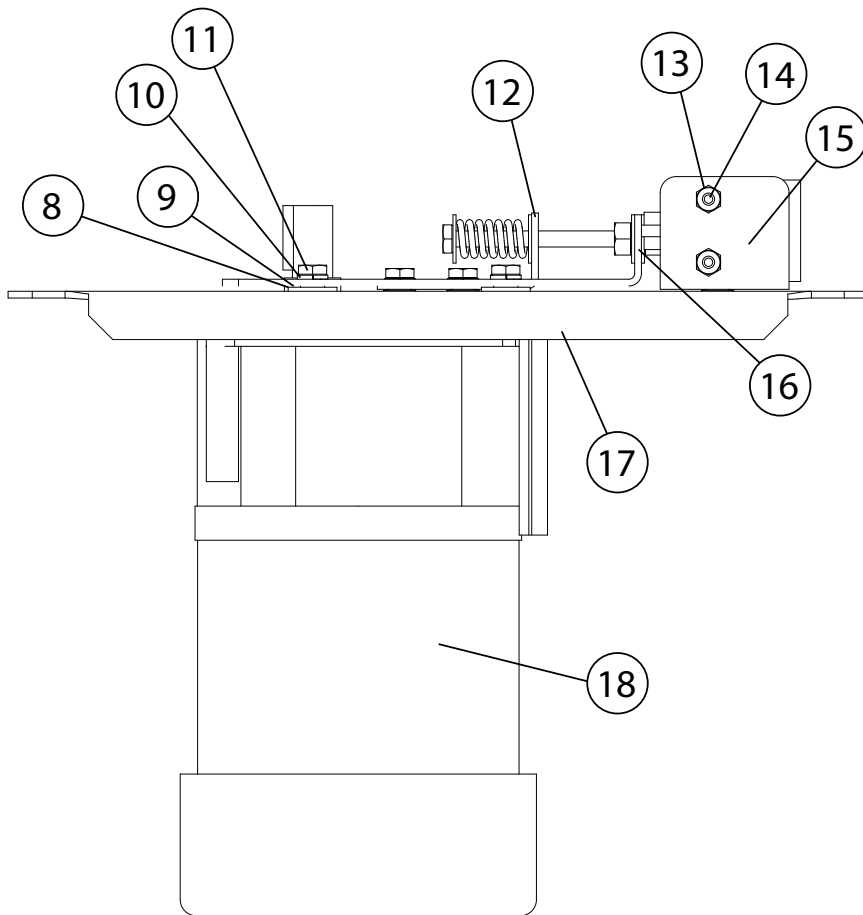
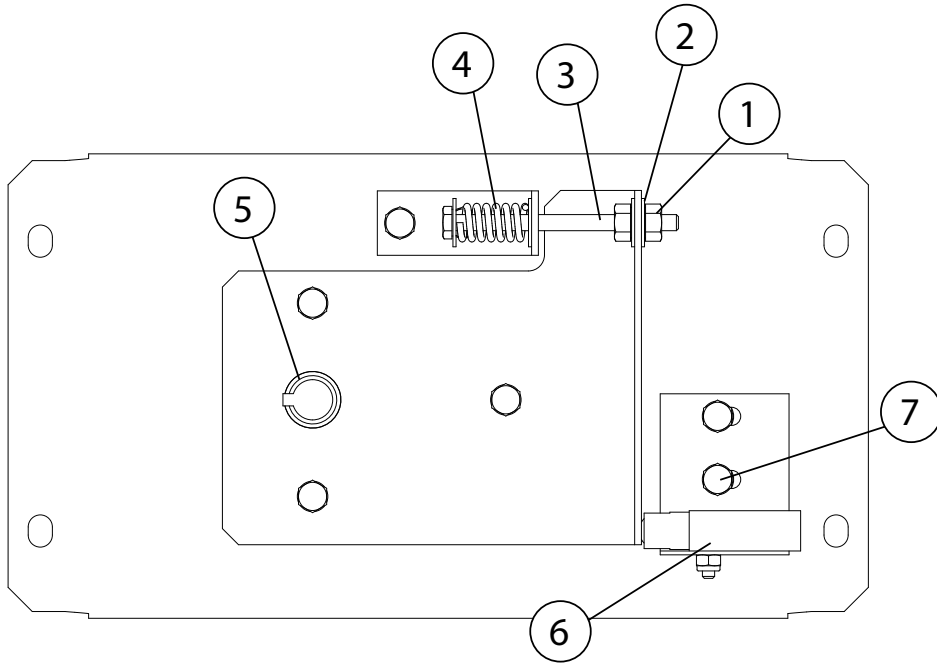


Item No.	Part No.	Description	Qty.
1	114519	END BLOCK, E/NS 35N	2
2	114516	END COVER, SINGLE TERMINAL D-ST-2.5	1
3	114513	TERMNAL, SINGLE ST 2.5 BU (BLUE)	9
4	114512	TERMINAL, SINGLE ST 2.5 (GRAY)	9
5	114514	TERMINAL, SINGLE ST 2.5 WH, (WHITE)	3
6	114517	TERMINAL, DOUBLE STTB 2.5	9
7	114522	BRIDGE, 10 POLE FBS 10-5	1
8	114518	END COVER, DOUBLE TERMINAL D-STTB 2.5	1
9	114524	BRIDGE, 3 POLE FBS 3-5	1
10	337582	COVER, ENCLOSURE	1
---	114520	THERMISTOR TERMINAL BLOCK (NOT SHOWN) TERMINAL SIGLE MZB 1.5 NS35	4

NOTE:

TERMINAL BLOCK QUANTITIES MAY VARY DEPENDING ON MACHINE OPTIONS.

Drive Motor and Jam Switch



Item No.	Part No.	Description	Qty.
1	100154	NUT, PLAIN HEX, 5/16-18 SST	2
2	102376	WASHER, FLAT 5/16"	4
3	113704	BOLT, HEX HEAD, 5/16-18 X 3-1/2" SST	1
4	113702	SPRING	1
5	113703	BUSHING, 3/4" X 7/8" X 3/8" X 1-1/8" FLG	1
6	0509199	SWITCH, DRIVE MOTOR	1
7	100734	BOLT, HEX HEAD, 1/4-20 X 1/2" SST	4
8	113700	BUSHING, 3/8" X 3/4" X 1/16" THRUST	3
9	113701	BUSHING, 1/4" X 3/8" X 1/2" FLG	3
10	106482	WASHER, LOCK, 1/4" SPLIT	7
11	100738	BOLT, HEX HEAD, 1/4-20 X 1" SST	3
12	327919	BRACKET, MOTOR SPRING MTG.	1
13	107966	NUT, HEX GRIP, 10-32 SST W/NYLON INSERT	2
14	100767	SCREW, ROUND HEAD, 10-32 X 3/4" SST	2
15	337330	BRACKET, MOTOR JAM SWITCH MOUNTING	1
16	337063	PLATE, DRIVE MOTOR TORQUE, SST	1
17	337062	BRACKET, CONTINUAL DRIVE MTR. SUPPORT	1
18	116533	GEARMOTOR, 1/6 HP, MV/3PH, 16RPM	1

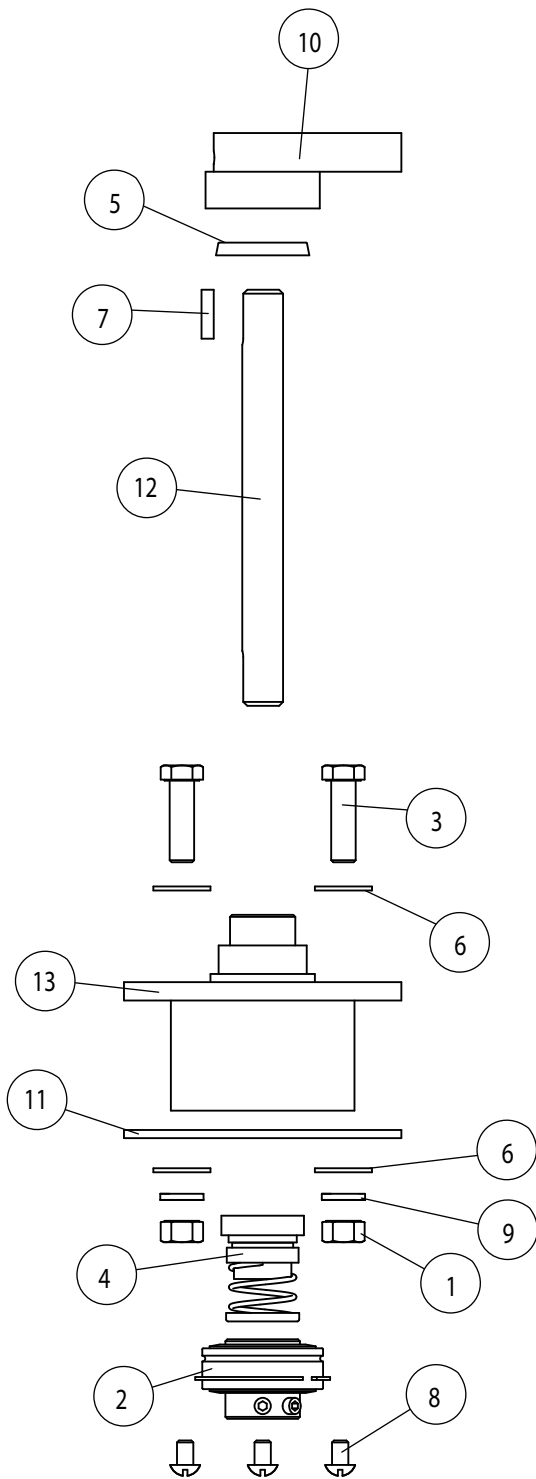
NOTE: I

TEMS 1-16 USED PRIOR TO S/N RP18021381 AND REPLACED BY
P/N 116802, CURRENT TRANSFORMER BEGINNING WITH S/N RP18021381

ITEM 17:

P/N 337062 REPLACED BY P/N 338708 BEGINNING WITH S/N RP18021381
P/N 116802, CURRENT TRANSFORMER NOW USED IN CONTROL CABINET.

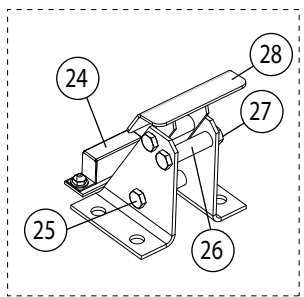
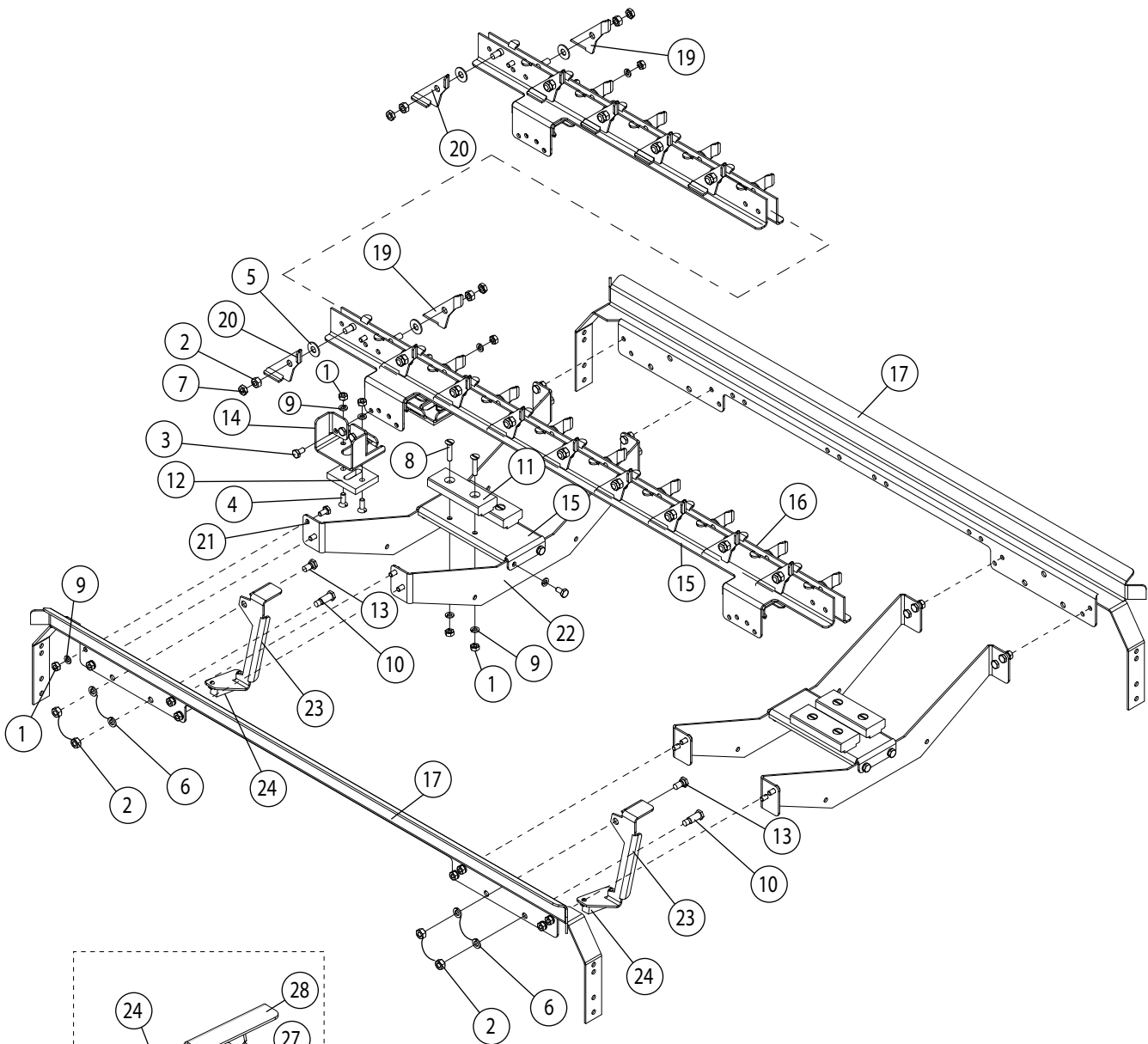
Conveyor Continual Drive Arm



Conveyor Continual Drive Arm

Item No.	Part No.	Description	Qty.
1	100140	NUT, HEX PLAIN 3/8-16 SST	4
2	100382	BEARING, RACK DRIVE	1
3	100746	BOLT, HEX HEAD 3/18-16 X 1-1/4" SST	4
4	102244	SEAL 5/8"	1
5	103180	WIPER RING, CRANK	1
6	104618	WASHER, FLAT 3/8"	8
7	104916	KEY, 3/16" X 3/16" X 3/4" SST	1
8	104923	SCREW, ROUND HEAD, 1/4-20 X 3/8" SST	4
9	106407	WASHER, LOCK 3/8" SPLIT SST	4
10	206300	CRANK, DRIVE	1
11	206303	GASKET	1
12	207430	SHAFT, DRIVE	1
13	B1074-1	BEARING, HOUSING	1

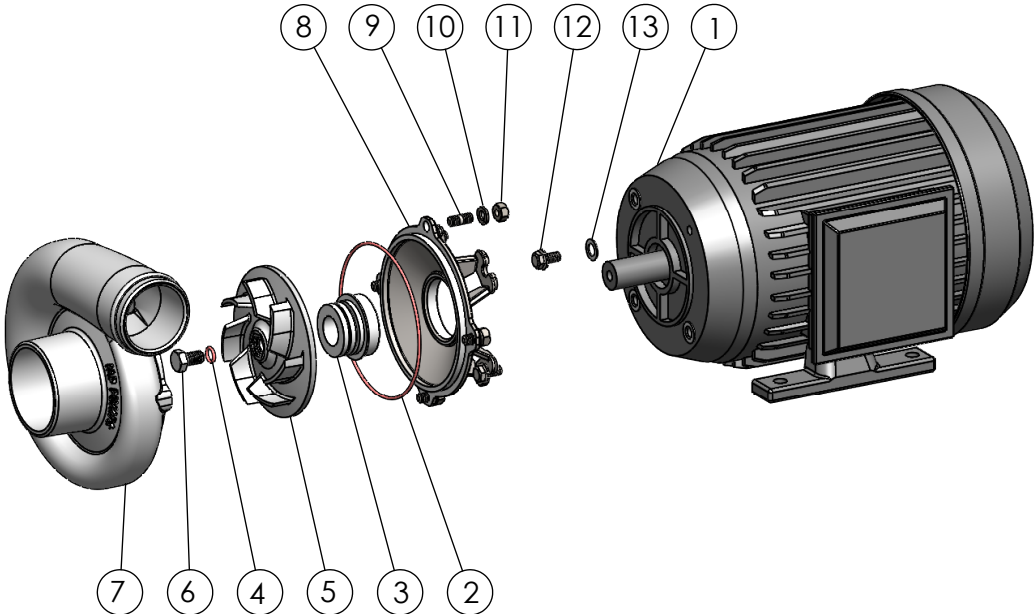
Pawl Bar and Tracks



VHR Idle Pump Assembly

Item No.	Part No.	Description	Qty.
1	100003	HEX, PLAIN NUT, 1/4-20 SST	36
2	100154	HEX, PLAIN NUT, 5/16-18 SST	22
3	100734	BOLT, HEX HEAD, 1/4-20 X 1/2" SST	32
4	100756	SCREW, FLAT HEAD, 1/4-20 X 3/4" SST	4
5	104618	WASHER, FLAT 3/8 SST	18
6	106013	WASHER, LOCK 5/16, SPLIT SST	4
7	106198	HEX, PLAIN JAM NUT, 5/16-18 SST	18
8	106474	SCREW, FLAT HEAD, 1/4-20 X 1-1/4" SST	8
9	106482	WASHER, LOCK 1/4" SPLIT SST	44
10	113692	SCREW, 3/8" X 3/4" X 5/16-18 SHOULDER, SST	2
11	116333	BEARING BLOCK, UHMW	4
12	116334	BEARING , PAWL BAR SLOT	2
13	116470	SCREW, 3/8" X 1/8" X 5/16-18 SST	2
14	338018	RETAINER, SLOT BEARING	2
15	337303	CROSSRAIL, BEARING MOUNT	2
---	337615-1	PAWL BAR, 44PRO-VHR, RH	1
16	420520	PAWL BAR, 44PR0 LH	1
---	337615-2	PAWL BAR, 44PRO-VHR, LH	1
17	337078	TRACK	2
18	420519	PAWL BAR, 44PR0 RH	1
19	337602-1	PAWL	A/R
20	337602-2	PAWL	A/R
21	337956	CROSSRAIL, SUPPORT LH	2
22	337957	CROSSRAIL, SUPPORT RH	2
23	338180-1	IDLE PUMP/FINAL RINSE LEVER LR (Includes Item 24)	2
---	338180-2	IDLE PUMP/FINAL RINSE LEVER RL	2
24	113937	MAGNET	1
	- 104883	SCREW, 6-32 X 3/8" ROUND HEAD SST	2
	- 104971	NUT, GRIP 6-32 SST	2
	- 107033	WASHER, FLAT	2
25	107999	BOLT, HEX HEAD 1/4-20 X 1-3/4" SST	3
26	105303	SPACER, SST	3
27	100141	HEX GRIP, NUT 1/4-20 CTR. LOCK SST	3
28	337720	WELDMENT, SWITCH	1
---	901097	COMPLETE PAWL BAR ASSY, 22" PREWASH	1
---	113719	SWITCH, REED (NOT SHOWN)	1

Wash/Prewash Pump and Motor

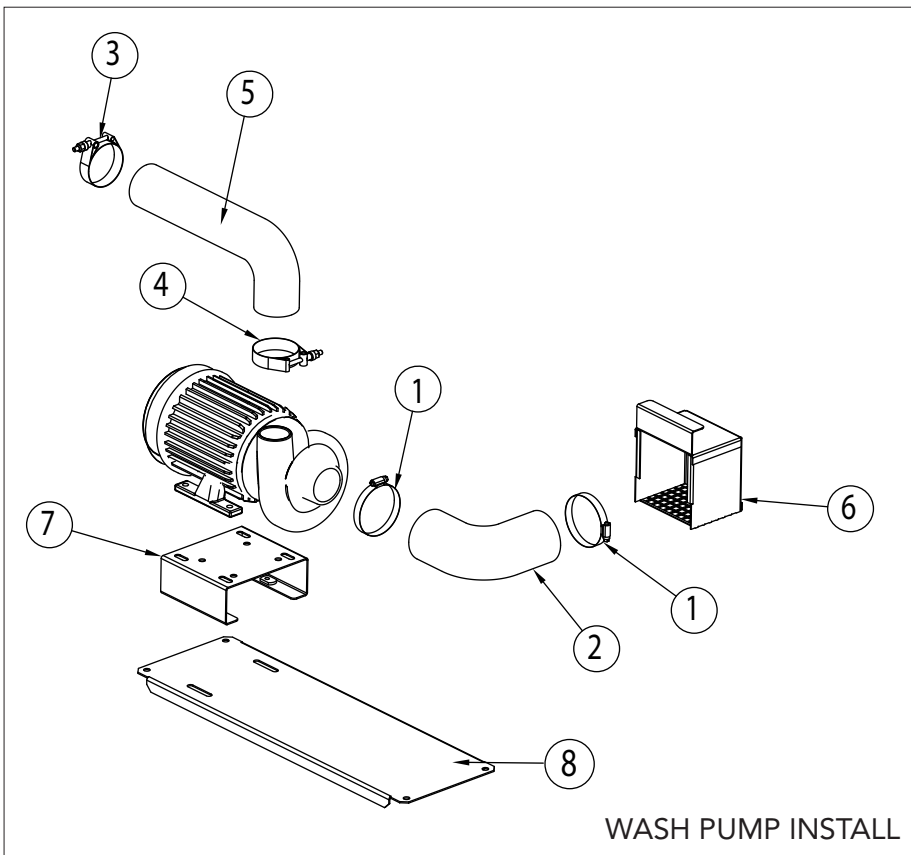
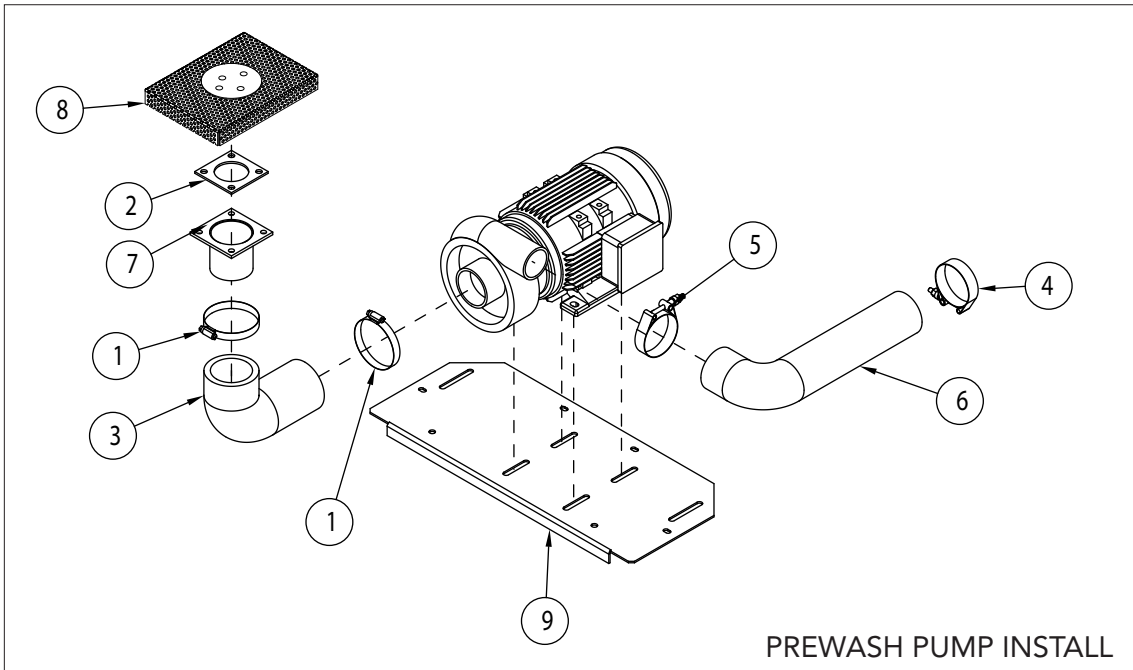


Wash/Prewash Pump and Motor

Item No.	Part No.	Description	Qty.
WASH PUMPS			
1*	116520	PREWASH PUMP/MOTOR 1HP, MV/3	1
---	116680	PREWASH PUMP/MOTOR 1HP, 208/60/1	1
---	116752	36" PREWASH/PUMP/MOTOR, 2HP MV/3	1
---	116521	WASH PUMP/MOTOR, 2HP, MV/3	1
---	116681	WASH PUMP/MOTOR, 1HP 208/60/1	1
---	116744	PREWASH PUMP/MOTOR 1HP, 575/60/3	1
---	116745	WASH PUMP/MOTOR 2HP, 575/60/3	1
2	116729	O-RING, HOUSING	1
3	116730	SEAL	1
4	116757	O-RING, IMPELLER	1
5	116734	IMPELLER, PREWASH PUMP	1
---	116735	IMPELLER, WASH PUMP	1
6	116736	BOLT, M8 X 14 LH	1
7	116737	HOUSING, PUMP	1
8	116738	PLATE, ADAPTER	1
9	116739	STUD, 1/4-20	4
10	116740	WASHER, LOCK 1/4"	4
11	116741	NUT, HEX HEAD 1/4-20	4
12	116742	BOLT	4
13	116743	WASHER	A/R

* INCLUDES ITEMS 2-13

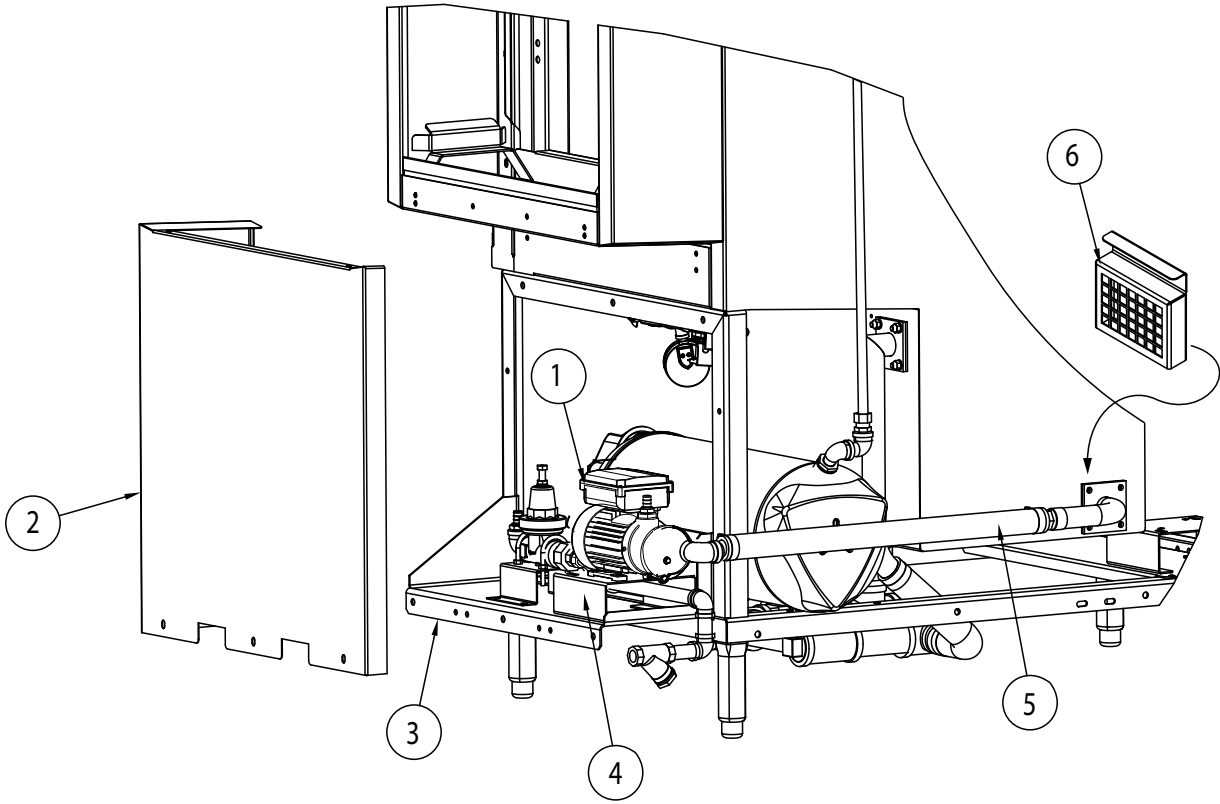
Pump Installations



Item No.	Part No.	Description	Qty.
PREWASH INSTALL			
1	104203	CLAMP, HOSE M52 GEAR-TYPE SST	2
2	108345	GASKET	1
3	109562	HOSE, PUMP SUCTION	1
4	110858	HOSE CLAMP, HIGH PRESSURE	1
5	111964	HOSE CLAMP, HIGH PRESSURE	1
6	113731	HOSE, PUMP DISCHARGE	1
7	307995	FLANGE, SUCTION	1
8	324580	SCREEN, SUCTION	1
9	337209	PLATE, PUMP MOTOR SUPPORT 22PRO	1

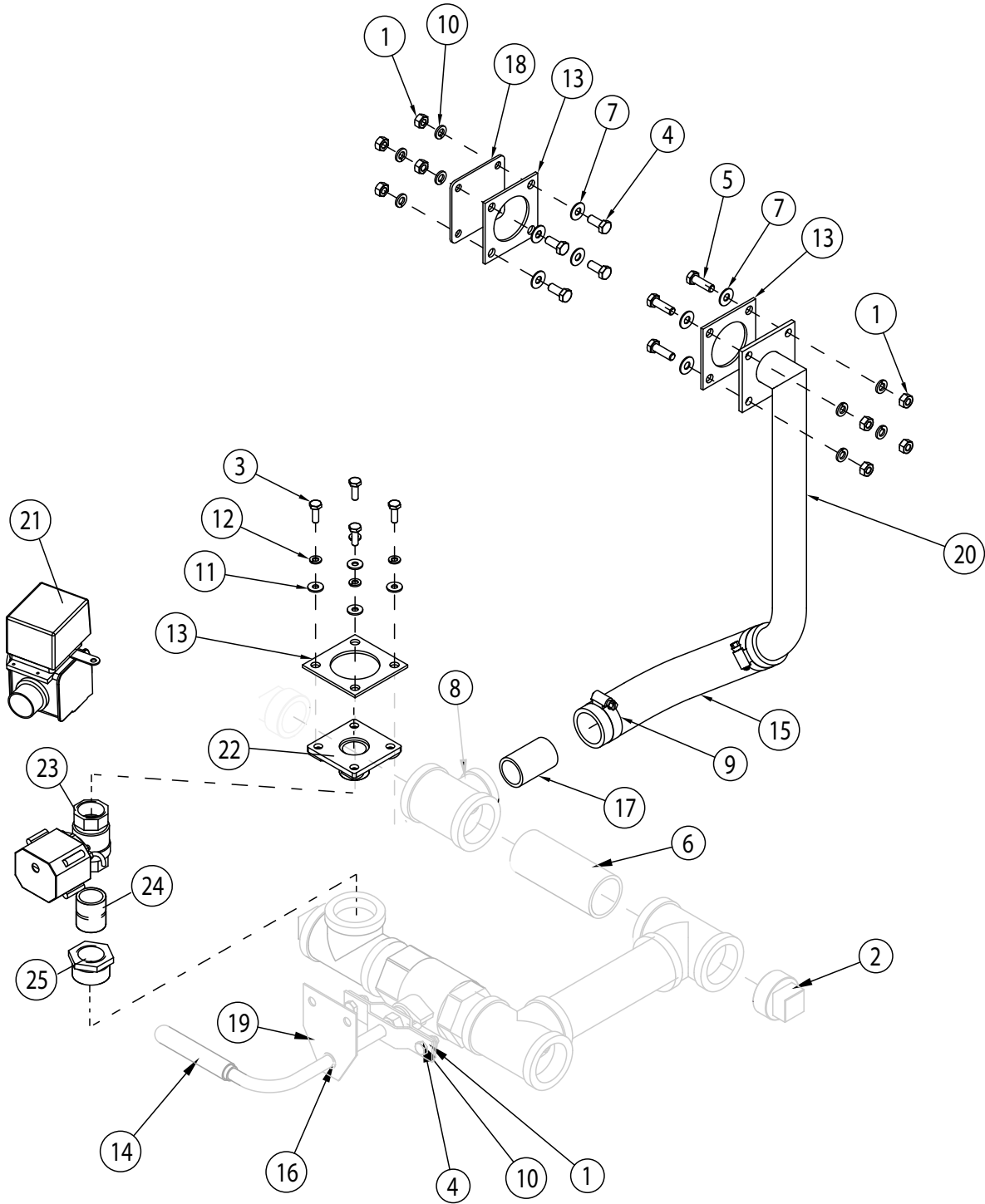
WASH INSTALL			
1	104203	CLAMP, HOSE M52 GEAR-TYPE SST	2
2	110372	HOSE, PUMP SUCTION	1
3	110858	HOSE CLAMP, HIGH PRESSURE	1
4	111964	HOSE CLAMP, HIGH PRESSURE	1
5	113731	HOSE, PUMP DISCHARGE	1
6	319742	HOOD, PUMP SUCTION	1
7	337060	BRACKET, PUMP MOTOR SUPPORT	1
8	337068	PLATE, PUMP MOTOR SUPPORT	1

VHR Recirculation Pump Install



Item No.	Part No.	Description	Qty.
VHR RECIRCULATION PUMP			
1	116800	VHR RECIRC PUMP/MOTOR 115V/60/1 ONLY AVAILABLE AS A COMPLETE ASSEMBLY	1
2	337332	PANEL, RECIRC PUMP COVER	1
3	337331	BASE, RECIRC PUMP	1
4	337060	BRACKET, PUMP SUPPORT	1
5	207560	HOSE, SUCTION VHR 1" ID X 23" LG. RED	1
6	337674	STRAINER, RECIRC PUMP SUCTION	1

44 PRO without Prewash Drain Assembly



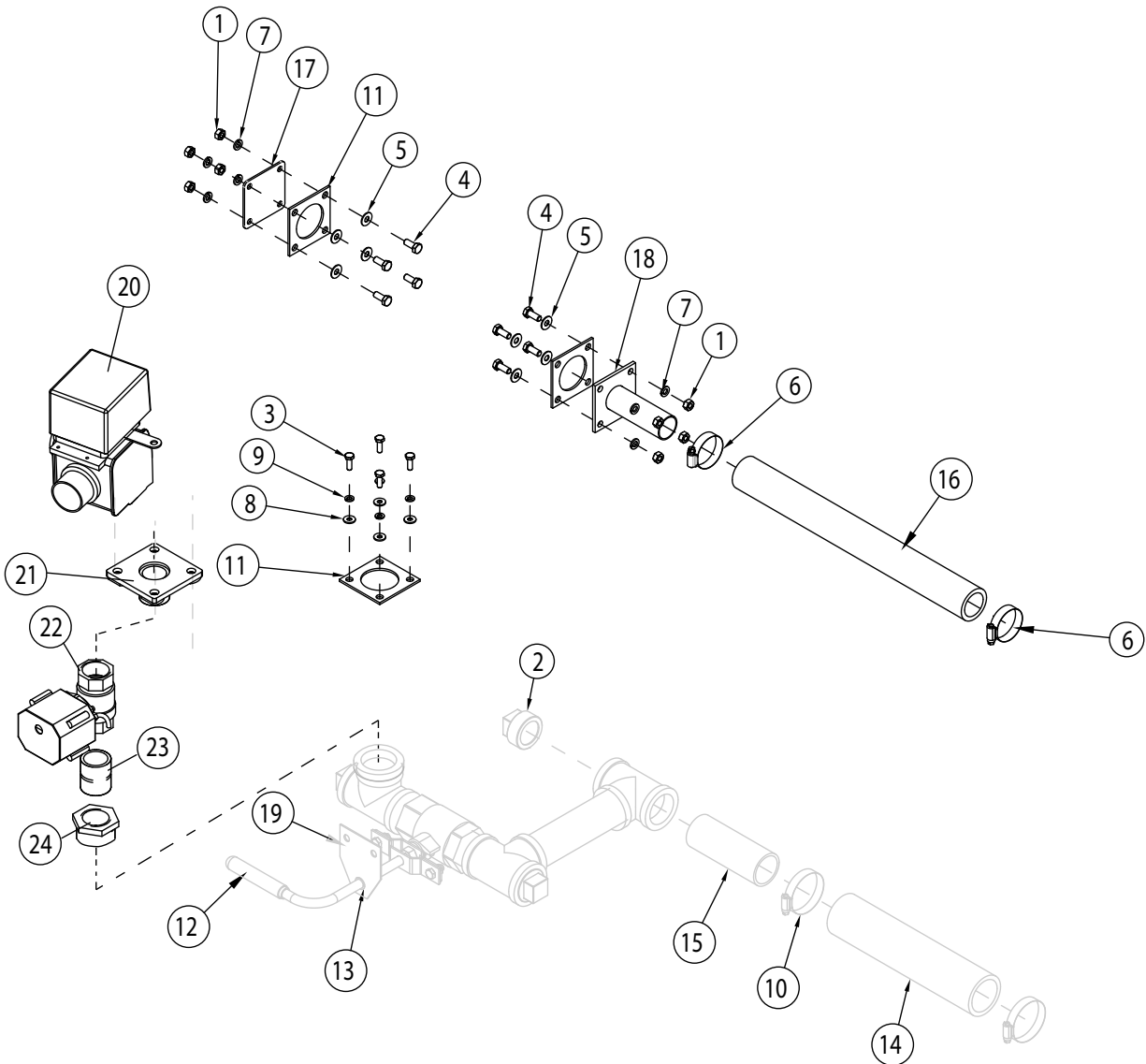
44 PRO without Prewash Drain Assembly

Item No.	Part No.	Description	Qty.
1	100154	HEX, PLAIN NUT, 5/16-18 SST (Prior to S/N RP1807160)	8
2	100587	PLUG, 1-1/2" NPT, SQ. HEAD GALV. (Prior to SN RP1807160)	2
3	100736	BOLT, HEX HEAD, 1/4-20 X 3/4" SST	4
4	100739	BOLT, HEX HEAD 5/16-18 X 3/4" SST	4
5	100740	BOLT, HEX HEAD 5/16-18 X 1" SST	4
6	101845	NIPPLE, 1- 1/2" NPT X 4-1/2" LG. GALV.	1
7	102376	WASHER, FLAT 5/16"	8
8	102543	TEE, 1-1/2" NPT X 1-1/2" NPT 1-1/2"NPT X 1" NPT GALV.	1
9	105993	CLAMP, HOSE M20 GEAR-TYPE SST	2
10	106013	WASHER, LOCK 5/16" SPLIT, SST (Prior to S/N RP1807160)	8
11	106026	WASHER, FLAT 1/4" SST	4
12	106482	WASHER, LOCK 1/4" SPLIT SST	4
13	108345	GASKET	3
14	114185	GRIP, DRAIN HANDLE (Prior to S/N RP1807160)	1
15	114472	HOSE, OVERFLOW	1
16	114817	SLEEVE, BEARING , 1/2" DIA ROD, NYLON (Prior to S/N RP1807160)	1
17	204383	NIPPLE, TOE, 1" NPT X 2" LG. GALV.	1
18	314388-1	FLANGE, BLOCKOFF 12 GA.	1
19	337059	BRACKET, BALL VALVE HANDLE SUPPORT (Prior to SN RP1807160)	1
20	337954	OVERFLOW, WELDMENT	1
21	114471	VALVE, ELECTRIC (Prior to SN RP19062022)	1
(Beginning w/S/N RP19062022 and above)			
22	339423	FLANGE, DRAIN 1" MNPT SST	1
23	117014	VALVE, BALL 1" NPT BRASS. 110-230V ELECTRIC	1
24	100694	NIPPLE, 1" NPT X CLOSE SST	1
25	100535	BUSHING, REDUCING 1-1/4" X 1" NPT SST	1

NOTE:

GALVANIZED PIPING REPLACED BY CPVC. CPVC PIPING AND FITTINGS SUPPLIED BY OTHERS.

44 PRO with Prewash Drain Assembly - RL

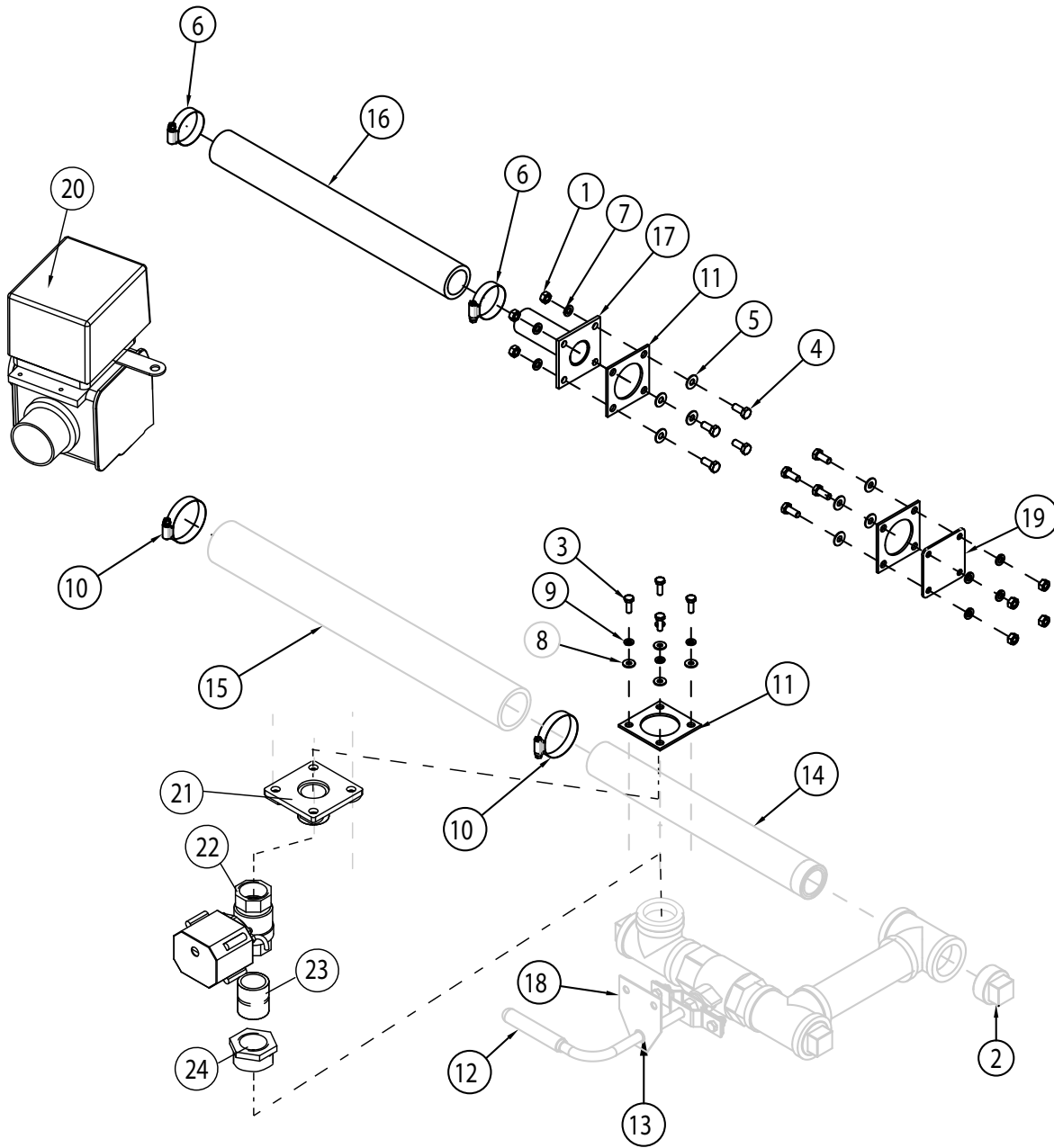


Item No.	Part No.	Description	Qty.
1	100154	HEX, PLAIN NUT, 5/16-18 SST	8
2	100587	PLUG, 1-1/2" NPT, SQ. HEAD GALV. (Prior to RP18071601)	1
3	100736	BOLT, HEX HEAD, 1/4-20 X 3/4" SST	4
4	100739	BOLT, HEX HEAD 5/16-18 X 3/4" SST	8
5	102376	WASHER, FLAT 5/16"	8
6	105993	CLAMP, HOSE M20 GEAR-TYPE SST	2
7	106013	WASHER, LOCK 5/16" SPLIT, SST	8
8	106026	WASHER, FLAT 1/4" SST	4
9	106482	WASHER, LOCK 1/4" SPLIT SST	4
10	107340	CLAMP, HOSE M28 GEAR-TYPE SST	2
11	108345	GASKET	3
12	114185	GRIP, DRAIN HANDLE (Prior to RP18071601)	1
13	114817	SLEEVE, BRG. , 1/2" DIA ROD, NYLON (Prior to RP18071601)	1
14	202869	HOSE, 1.7/8" ID X 10-1/2" LG.	1
15	204272	NIPPLE, TOE, 1-1/2" NPT X 5" LG. GA.	1
16	207216	HOSE, 1-3/8" ID X 17" LG. EPDM	1
17	314388-1	FLANGE, BLOCKOFF 12 GALV. (Prior to RP18071601)	1
18	334719	STUB, WELDMENT CROSSFLOW (Prior to RP18071601)	1
19	337059	BRACKET, BALL VLVE SUPPORT (Prior to RP18071601)	1
20	114471	VALVE, ELECTRIC (Prior to SN RP19062022)	1
(Beginning w/S/N RP19062022 and above)			
21	339423	FLANGE, DRAIN 1" MNPT SST	1
22	117014	VALVE, BALL 1" NPT BRASS. 110-230V ELECTRIC	1
23	100694	NIPPLE, 1" NPT X CLOSE SST	1
24	100535	BUSHING, REDUCING 1-1/4" X 1" NPT SST	1

NOTE:

GALVANIZED PIPING REPLACED BY CPVC. CPVC PIPING AND FITTINGS SUPPLIED BY OTHERS.

44 PRO with Prewash Drain Assembly - LR

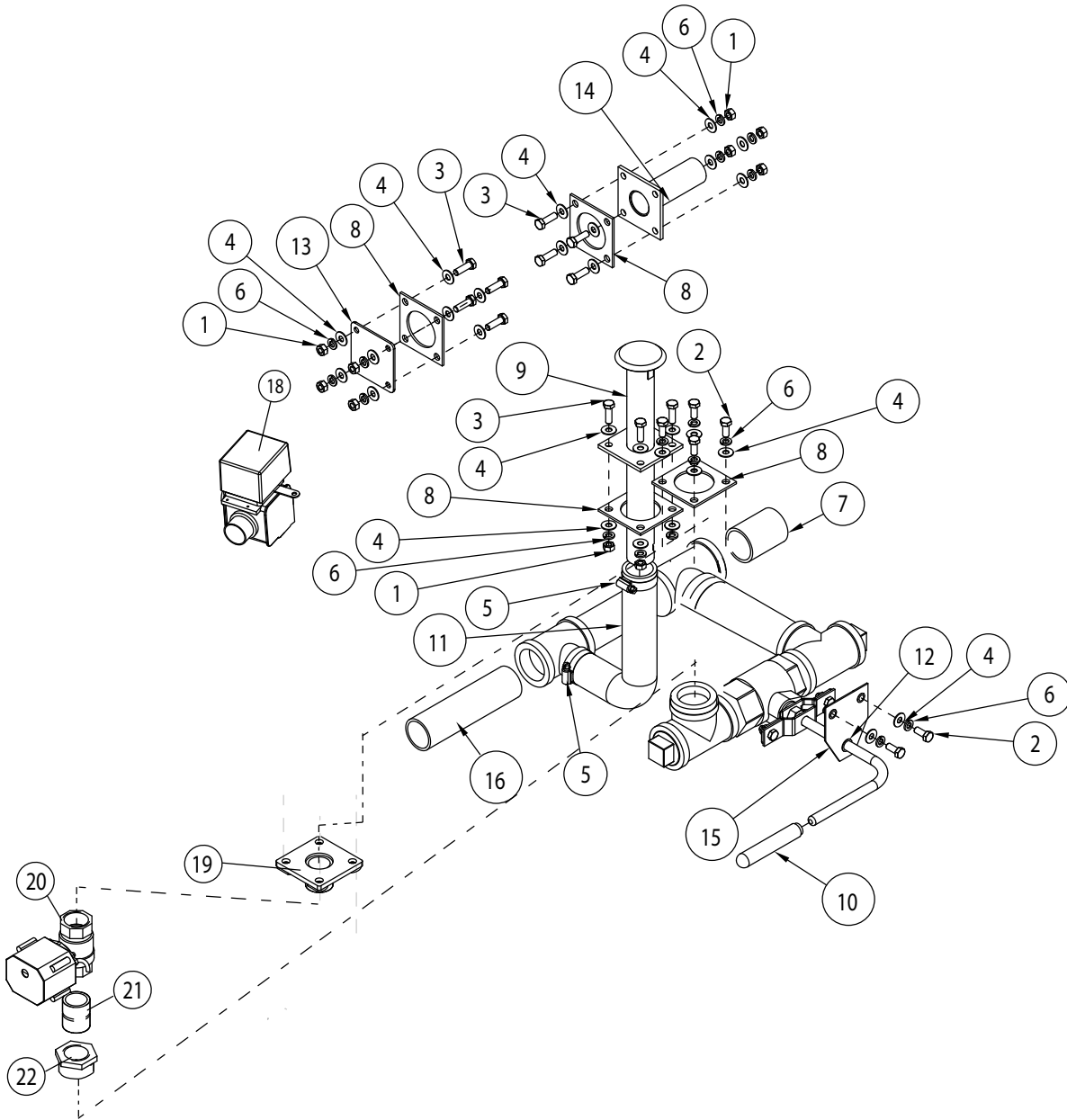


Item No.	Part No.	Description	Qty.
1	100154	HEX, PLAIN NUT, 5/16-18 SST	8
2	100587	PLUG, 1-1/2" NPT, SQ. HEAD GALV. (Prior to RP18071601)	1
3	100736	BOLT, HEX HEAD, 1/4-20 X 3/4" SST	4
4	100739	BOLT, HEX HEAD 5/16-18 X 3/4" SST	8
5	102376	WASHER, FLAT 5/16"	8
6	105993	CLAMP, HOSE M20 GEAR-TYPE SST	2
7	106013	WASHER, LOCK 5/16" SPLIT, SST	8
8	106026	WASHER, FLAT 1/4" SST	4
9	106482	WASHER, LOCK 1/4" SPLIT SST	4
10	107340	CLAMP, HOSE M28 GEAR-TYPE SST	2
11	108345	GASKET	3
12	114185	GRIP, DRAIN HANDLE (Prior to RP18071601)	1
13	114817	SLEEVE, BEARING , 1/2" DIA ROD, NYLON	1
14	203005	NIPPLE, TOE, 1-1/2" NPT X 15-1/2" LG. GALV.	1
15	205248	HOSE, 1.7/8" ID X 21" LG.	1
16	207216	HOSE, 1-3/8" ID X 17" LG. EPDM	1
17	334719	STUB, WELDMENT CROSSFLOW	1
18	337059	BRACKET, BALL VLVE HANDLE SUP (Prior to RP18071601)	1
19	314388-1	FLANGE, BLOCKOFF 12 GA.	1
20	114471	VALVE, ELECTRIC (Prior to SN RP19062022)	1
(BEGINNING W/S/N RP19062022 AND ABOVE)			
21	339423	FLANGE, DRAIN 1" MNPT SST	1
22	117014	VALVE, BALL 1" NPT BRASS. 110-230V ELECTRIC	1
23	100694	NIPPLE, 1" NPT X CLOSE SST	1
24	100535	BUSHING, REDUCING 1-1/4" X 1" NPT SST	1

NOTE:

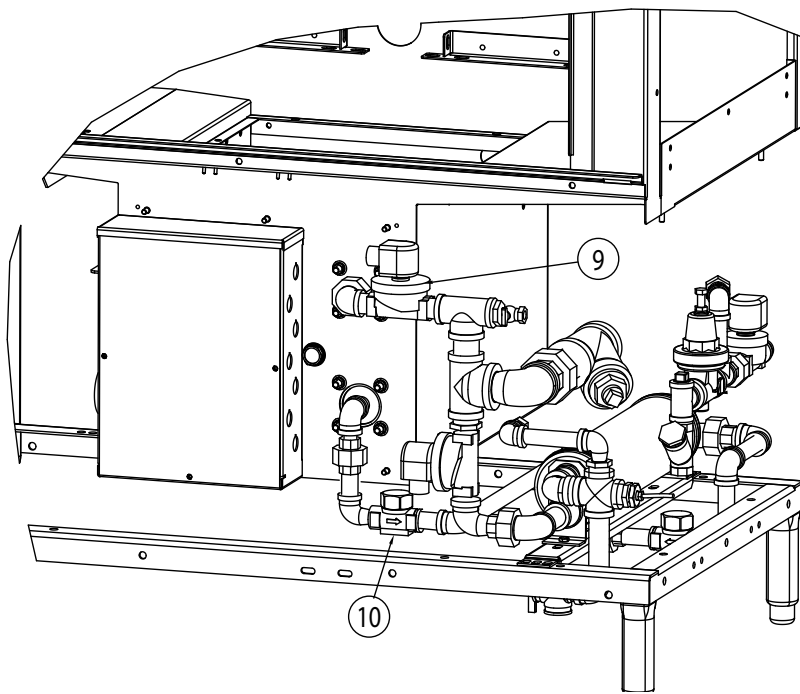
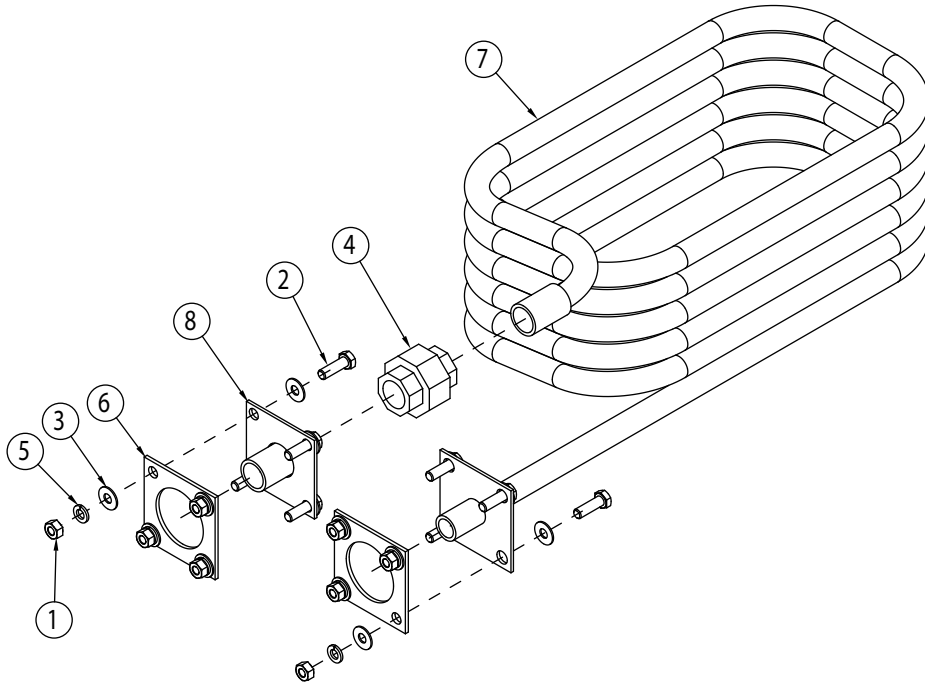
GALVANIZED PIPING REPLACED BY CPVC. CPVC PIPING AND FITTINGS SUPPLIED BY OTHERS.

22" Prewash Drain Assembly



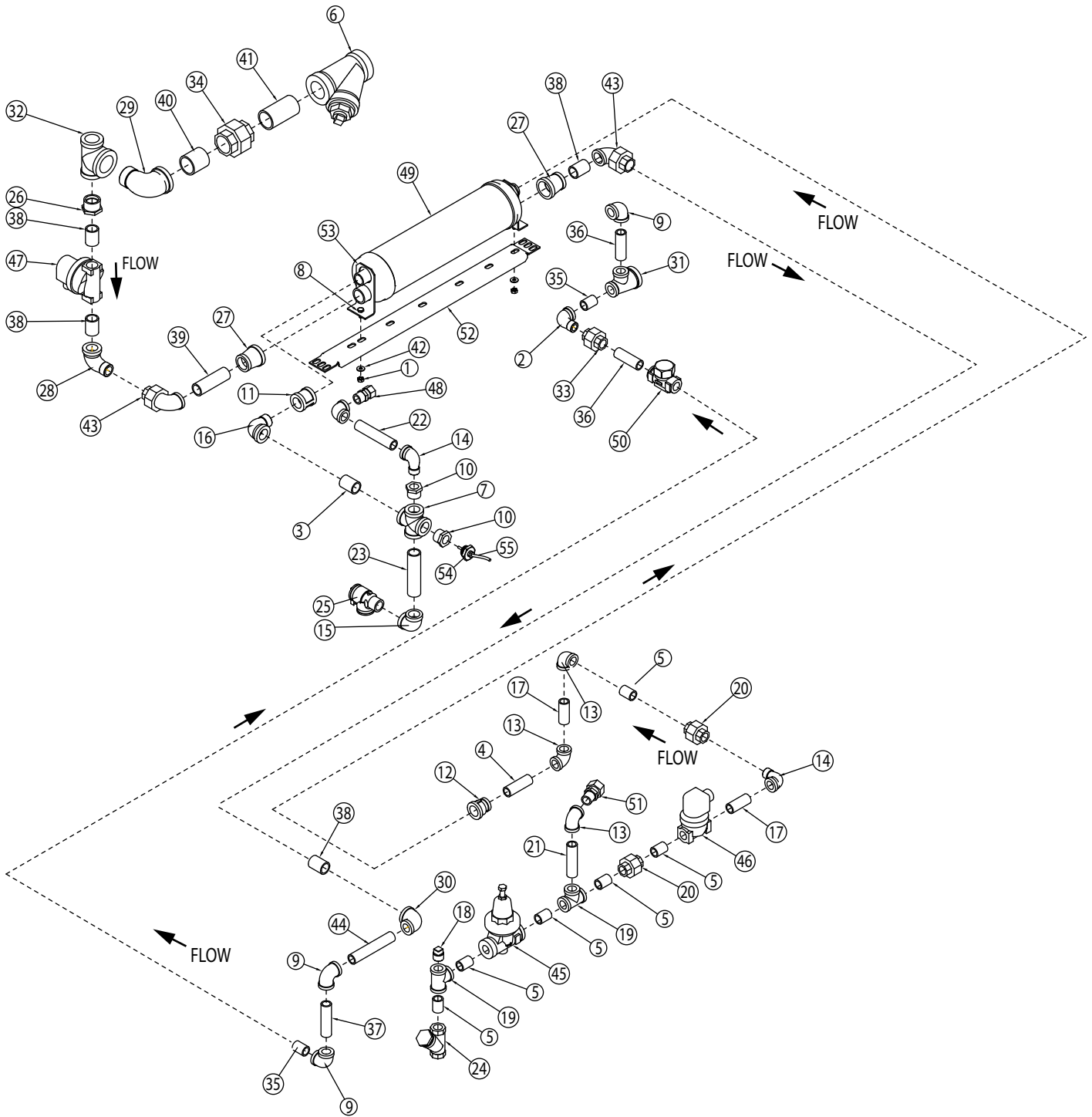
Item No.	Part No.	Description	Qty.
1	100154	HEX, PLAIN NUT, 5/16-18 SST	12
2	100739	BOLT, HEX HEAD 5/16-18 X 3/4" SST	6
3	100740	BOLT, HEX HEAD 5/16-18 X 1" SST	12
4	102376	WASHER, FLAT 5/16"	30
5	105993	CLAMP, HOSE M20 GEAR-TYPE SST	2
6	106013	WASHER, LOCK 5/16" SPLIT, SST	18
7	106687	NIPPLE, TOE, 1-1/2" NPT X 2-1/2" LG. GALV. FOR LR ONLY (NOT USED FOR RL)	1
8	108345	GASKET	4
9	337384	OVERFLOW, WELDMENT	1
10	114185	GRIP, DRAIN HANDLE (Prior to RP18071601)	1
11	114472	HOSE, OVERFLOW	1
12	114817	SLEEVE, BEARING , 1/2" DIA ROD, NYLON	1
13	314388-1	FLANGE, BLOCKOFF 12 GALV.	1
14	334719	STUB, WELDMENT	1
15	337059	BRACKET, BALL VALVE HDLE SUPRT (Prior to RP18071601)	1
16	105634	NIPPLE, TOE, 1-1/2" NPT X 7" LG. GALV. FOR RL ONLY (NOT USED FOR LR) (Prior to RP18071601)	1
17	114471	VALVE, ELECTRIC (Prior to /SN RP19062022)	1
(BEGINNING W/S/N RP19062022 AND ABOVE)			
21	339423	FLANGE, DRAIN 1"MNPT SST	1
22	117014	VALVE, BALL 1" NPT BRASS. 110-230V ELECTRIC	1
23	100694	NIPPLE, 1" NPT X CLOSE SST	1
24	100535	BUSHING, REDUCING 1-1/4" X 1" NPT SST	1

Wash Tank Steam Coil



Item No.	Part No.	Description	Qty.
1	100154	HEX PLAIN, NUT 5/16-18, SST	8
2	100740	BOLT, HEX HEAD, 5/16-18 X 1" SST	8
3	102376	WASHER, FLAT 5/16"	16
4	102554	UNION, 3/4" NPT SST	1
5	106013	WASHER, LOCK 5/16" SPLIT	8
6	108345	GASKET	2
7	327908	COIL, STEAM	1
8	335644	FLANGE, WELDMENT STEAM COIL	1
9	109887	VALVE, SOLENOID 3/4" NPT STEAM	1
---	109903	KIT, REPAIR 3/4" STEAM VALVE	A/R
---	108516	COIL, SOLENOID VALVE 120VAC	A/R
10	111380	TRAP, STEAM 1/2" NPT TDC	1

Steam Booster



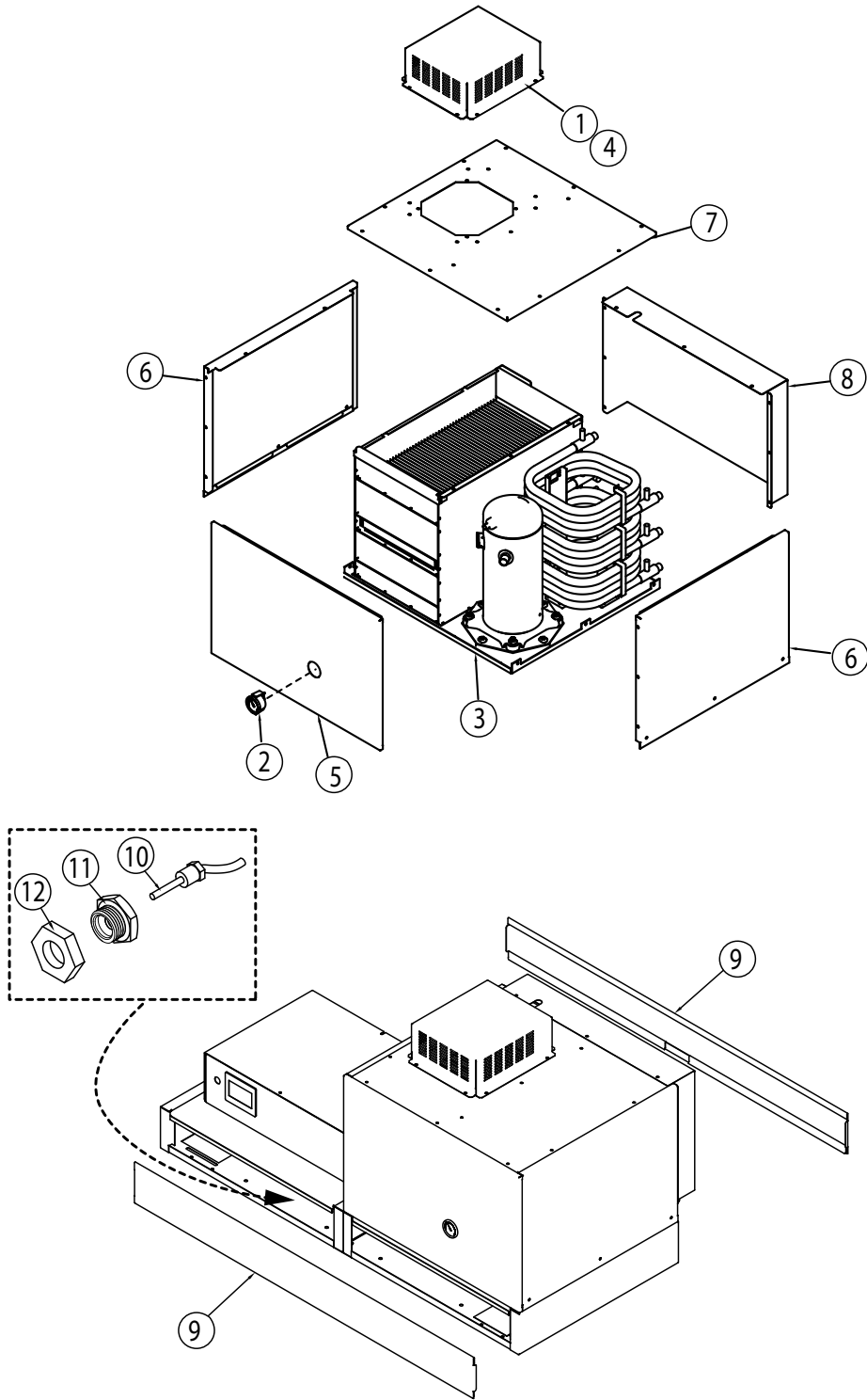
Item No.	Part No.	Description	Qty.
1	100141	HEX GRIP, NUT 1/4-20 CTR. LOCK	2
2	100147	ELBOW, STREET, 1/2" NPT X 90° M.I.	1
3	100184	NIPPLE, 3/4" X CLOSS BRASS	1
4	100206	NIPPLE, 1/2" NPT X 2-1/2" LG. BRASS	1
5	100209	NIPPLE, 1/2" NPT X CLOSE BRASS	6
6	100263	STRANER, LINE 1-1/4"	1
7	100599	CROSS, 3/4" NPT BRASS	1
8	100735	BOLT, HEX HEAD, 1/4-20 X 5/8" SST	2
9	102288	ELBOW, 1/2" NPT X 90° M.I.	3
10	102392	BUSHING, REDUCING, 3/4" NPT X 1/2" NPT BRASS	2
11	102415	COUPLING 3/4" NPT BRASS	1
12	102416	COUPLING, RED, 3/4" NPT X 1/2" NPT BRASS	1
13	102435	ELBOW, 1/2" NPT X 90° BRASS	4
14	102438	ELBOW, STREET, 1/2" NPT X 90° BRASS	2
15	102442	ELBOW, 3/4" NPT X 90° BRASS	1
16	102444	ELBOW, STREET, 3/4" NPT X 90° BRASS	1
17	102492	NIPPLE, 1/2" NPT X 2" LG. BRASS	2
18	102504	PLUG, 1/2" NPT SQ. HEAD BRASS	1
19	102514	TEE, 1/2" NPT, BRASS	2
20	102549	UNION, 1/2" NPT BRASS	2
21	102567	NIPPLE, 1/2" NPT X 3" LG. BRASS	1
22	102570	NIPPLE, 1/2" NPT X 4" LG. BRASS	1
23	102653	NIPPLE, 3/4" NPT X 4" LG. BRASS	1
24	104421	STRAINER, LINE 1/2" NPT BRONZE	1
25	104649	VALVE, PRESSURE RELIEF 3/4" NPT BRONZE	1
26	105705	BUSHING, REDUCING, 1" NPT X 3/4" NPT B.I.	1
27	105725	COUPLING, RED 1" X 3/4" B.I.	2
28	105731	ELBOW, STREET 3/4" NPT X 90° M.I.	1
29	105735	ELBOW, STREET 1-1/4" NPT X 90° M.I.	1
30	105738	ELBOW, REDUCING, 3/4" NPT X 1/2" NPT X 90° M.I.	1
31	105762	TEE, REDUCING, 1" X 1/2" X 1/2" NPT M.I.	1
32	105769	TEE, REDUCING, 1" X 1" X 1-1/4" NPT M.I.	1
33	105778	UNION, 1/2" NPT M.I.	1
34	105781	UNION, 1-1/4" NPT M.I.	1
35	105782	NIPPLE, 1/2" NPT X CLOSE B.I.	2
36	105785	NIPPLE, 1/2" NPT X 2-1/2" B.I.	2

Steam Booster (continued)

Item No.	Part No.	Description	Qty.
37	105786	NIPPLE, 1/2" NPT X 3" LG. B.I.	1
38	105803	NIPPLE, 3/4" NPT X CLOSE B.I.	4
39	105813	NIPPLE, 3/4" NPT X 3-1/4" LG. B.I.	1
40	105872	NIPPLE, 1-1/4" NPT X CLOSE B.I.	1
41	105875	NIPPLE, 1-1/4" X 3" LG. B.I.	1
42	106026	WASHER, FLAT 1/4" SST	2
43	106485	UNION, ELBOW 3/4" NPT FEMALE	2
44	107487	NIPPLE, 1/2" NPT X 4-1/2" LG. B.I.	1
45	108265	VALVE, PRESSURE REGULATING 1/2" NPT BRONZE	1
46	109886	VALVE, SOLENOID 1/2" NPT HOT WATER	1
---	109902	KIT, REPAIR VALVE 1/2"	A/R
---	108516	COIL, SOLENOID VALVE 120VAC	A/R
47	109887	VALVE, SOLENOID, 3/4" NPT STEAM	1
--	109903	KIT, REPAIR 3/4" STEAM VALVE	A/R
---	108516	COIL, SOLENOID VALVE 120VAC	A/R
48	109925	FITTING, COMP 5/8" OD X 1/2" MPT	1
49	110189	CANISTER, K2 BOOSTER	1
50	111380	TRAP, STEAM 1/2" NPT TDC	1
51	114384	FITTING, COMP 7/8" OD X 1/2" MPT BRASS	1
52	319723	CHANNEL, BOOSTER SUPPORT	1
53	334658	BRACKET, BOOSTER SUPPORT	2
54	0512299	ADAPTER	1
55	114435	THERMISTOR, 10k Ω , 36' LEAD	1

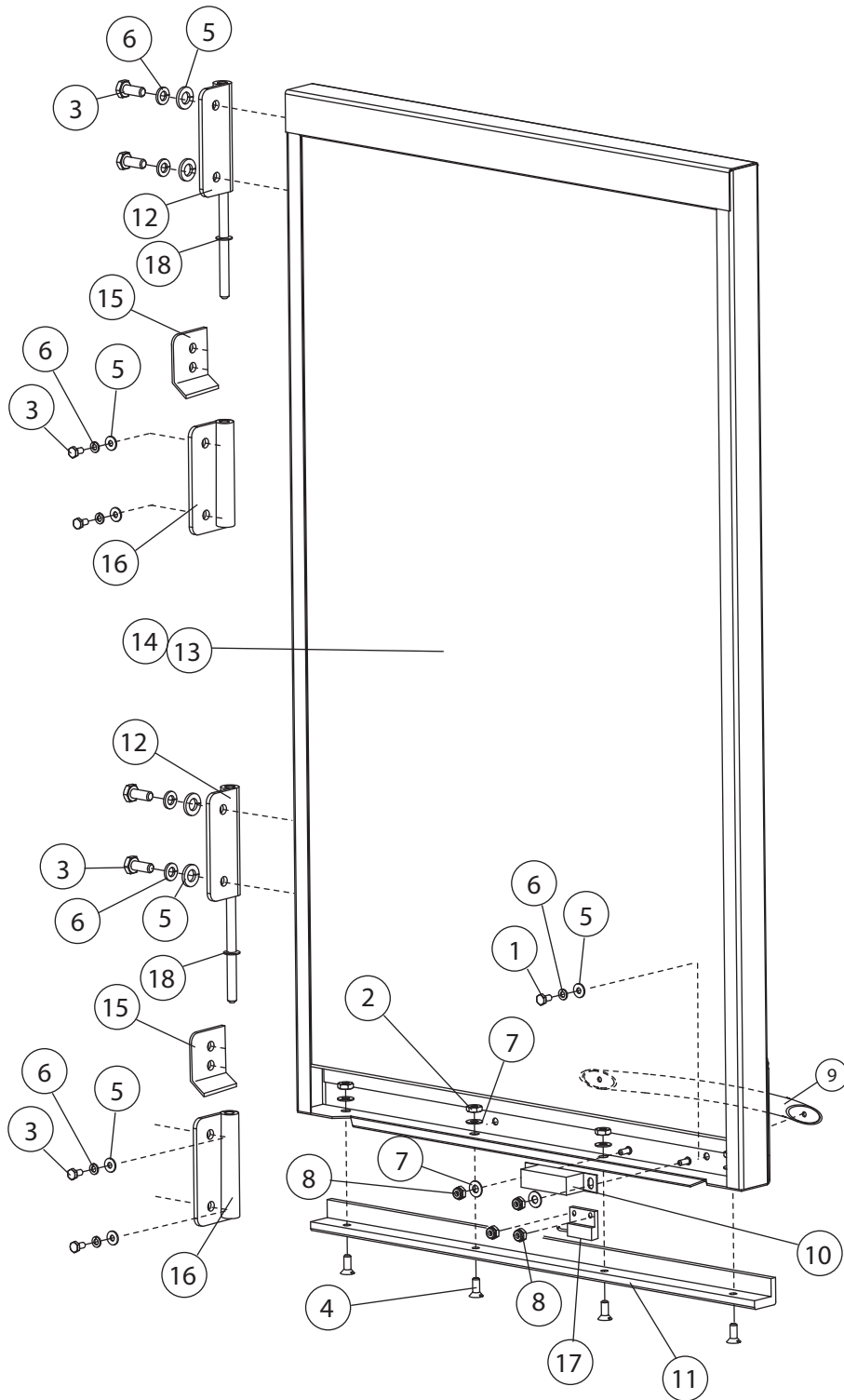
This Page
Intentionally
Left Blank

VHR Heat Pump Assembly



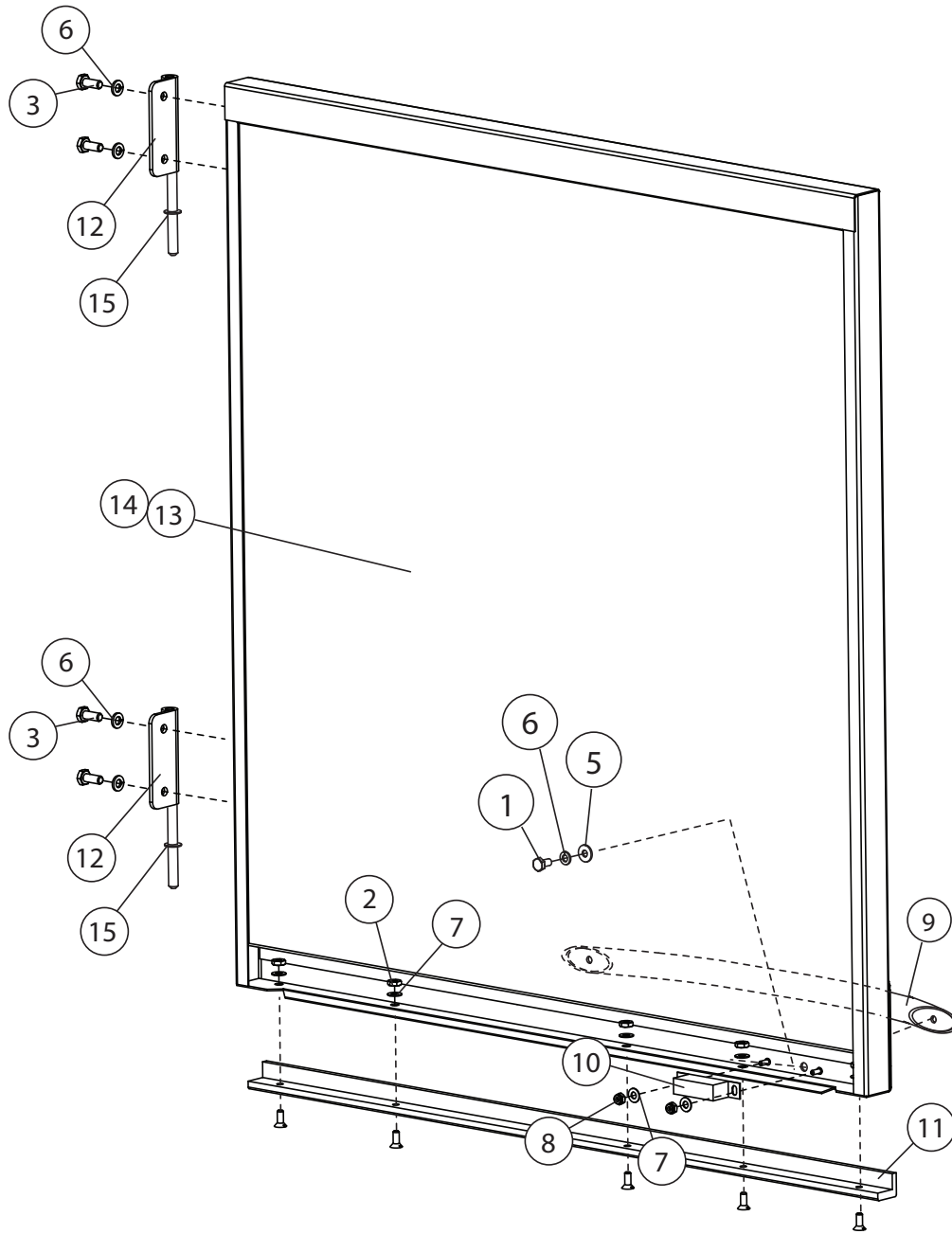
Item No.	Part No.	Description	Qty.
1	337395	COVER, FAN	1
2	109812	GAUGE, PRESSURE 0-60 PSI	1
3	116569	PUMP, HEAT 208/60/3	1
---	116570	PUMP, HEAT 480/60/3	1
4	116547	FAN, CENTRIFUGAL	1
5	337963	PANEL, FRONT	1
6	337964	PANEL, SIDE	2
7	337965	PANEL, TOP	1
8	337966	PANEL, REAR	1
9	338015	PANEL, ACCESS, 44PRO-VHR	2
---	338016	PANEL, ACCESS, 66PRO-VHR	2
---	338126	PANEL, ACCESS, 80PRO-VHR	2
10	114435	THERMISTOR, 10k Ω , 36" LEAD	1
11	0512299	ADAPTER	1
12	100547	LOCKNUT, 1/2" NPT SST	1

22" Prewash Door



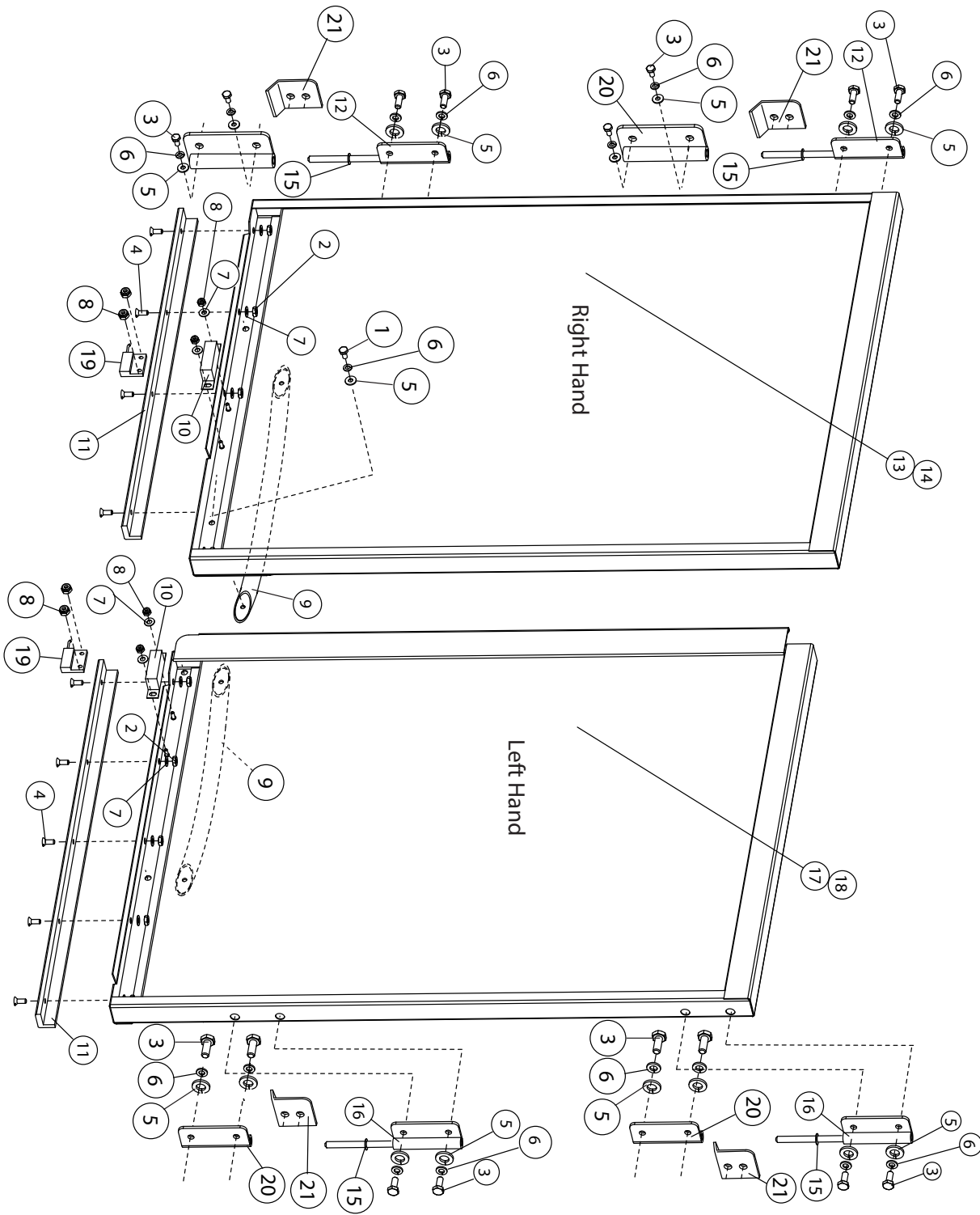
Item No.	Part No.	Description	Qty.
1	100074	BOLT, HEX HEAD, 1/4-20 X 1/2" SST	2
2	100194	NUT, HEX GRIP 10-32 SST	4
3	100734	BOLT, HEX HEAD 1/4-20 X 1/2" SST	4
4	100754	SCREW, FLAT HEAD 10-32 X 1/2" SST	4
5	106026	WASHER, FLAT 1/4" SST	2
6	106482	WASHER, LOCK 1/4" SPLIT SST	6
7	107033	WASHER, FLAT SST	6
8	108954	NUT, HEX GRIP 6-32 SST W/NYLON INSERT	2
9	115665	HANDLE, DOOR	1
10	113937	MAGNET, REED SWITCH	1
11	116175	STRIP, WEAR BOTTOM DOOR	1
12	335152	HINGE, DOOR WELDMENT	2
13	337199	DOOR, STANDARD HOOD	1
14	338042	DOOR, HIGH HOOD	1
15	335977	STOP, HINGED DOOR REMOVAL	2
16	335154	HINGE, HOOD SIDE	2
17	113721	SWITCH, DOOR SAFETY	1
18	116230	WASHER, FLAT	2

36" Prewash Door



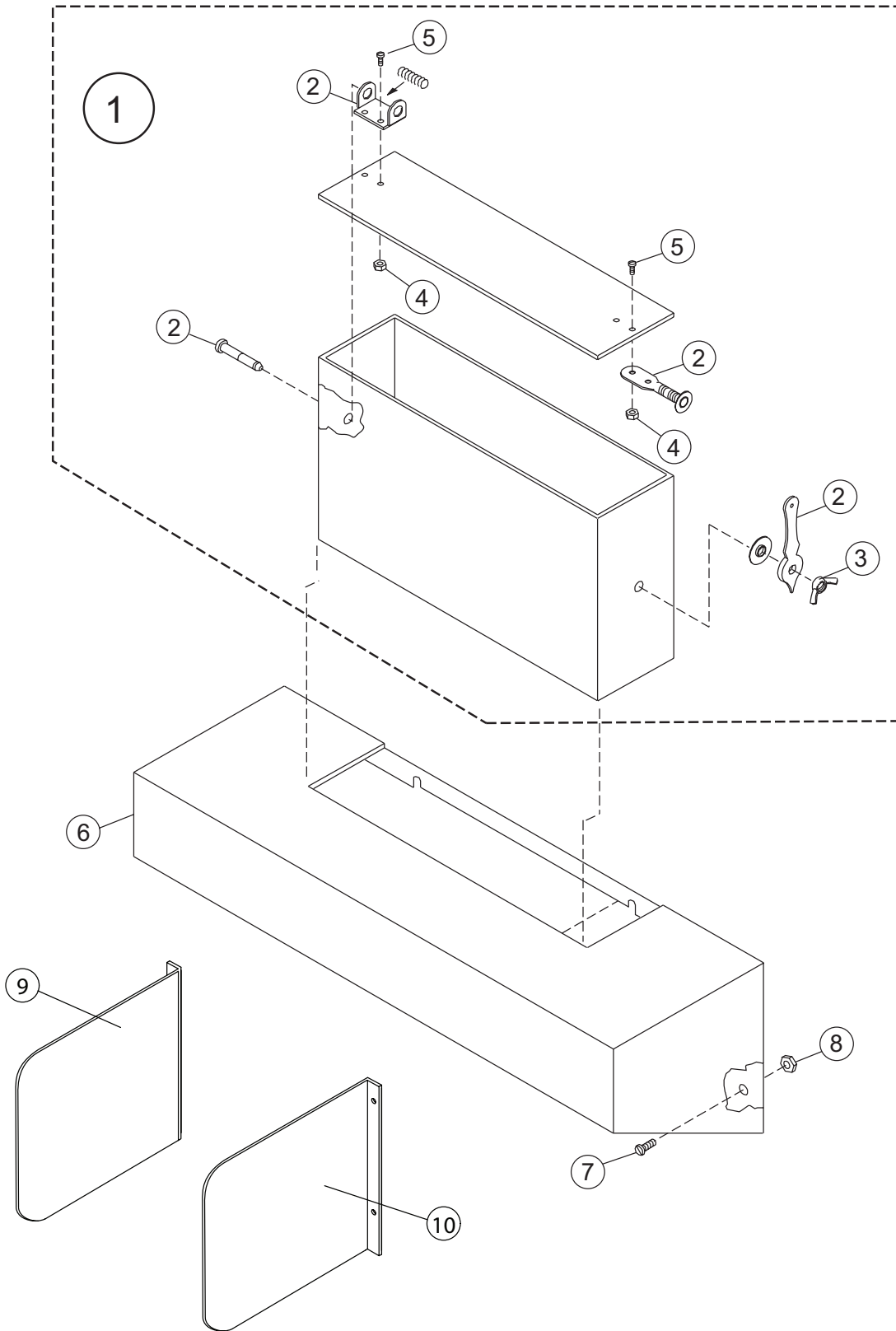
Item No.	Part No.	Description	Qty.
1	100734	SCREW, TRUSS HEAD, 1/4-20 X 1/2" SST	6
2	100194	NUT, HEX GRIP 10-32 SST	12
3	100735	BOLT, HEX HEAD 1/4-20 X 5/8" SST	8
4	100754	SCREW, FLAT HHEAD 10-32 X 1/2" SST	12
5	106026	WASHER, FLAT 1/4" SST	6
6	106482	WASHER, LOCK 1/4" SPLIT SST	6
7	107033	WASHER, FLAT 0.208" SST	7
8	108954	NUT, HEX GRIP 6-32 SST W/NYLON INSERT	2
9	115655	HANDLE, DOOR	1
10	113937	MAGNET, REED SWITCH	1
11	116177	STRIP, WEAR BOTTOM DOOR	1
12	335152	HINGE, DOOR	2
13	337865	DOOR, STANDARD HOOD	1
14	PENDING	DOOR HIGH-HOOD	1
15	116230	WASHER, UHMW	2

Wash Doors



Item No.	Part No.	Description	Qty.
1	100734	BOLT, HEX HEAD, 1/4-20 X 1/2" SST	4
2	100194	NUT, HEX GRIP 10-32 SST	9
3	100735	BOLT, HEX HEAD 1/4-20 X 5/8" SST	8
4	100754	SCREW, FLAT HEAD 10-32 X 1/2" SST	9
5	106026	WASHER, FLAT 1/4" SST	19
6	106482	WASHER, LOCK 1/4" SPLIT SST	19
7	107033	WASHER, FLAT SST	13
8	108954	NUT, HEX GRIP 6-32 SST W/NYLON INSERT	8
9	115665	HANDLE, DOOR2	2
10	113937	MAGNET, REED SWITCH	2
11	115612	STRIP, WEAR BOTTOM DOOR	2
12	335152	HINGE, RH DOOR WELDMENT	2
13	337148	DOOR, RH STANDARD HOOD	1
14	338041	DOOR, RH HIGH HOOD	1
15	116230	WASHER, UHMW	4
16	335151	HINGE, LH DOOR WELDMENT	2
17	337147	DOOR, LH STANDARD HOOD	1
18	338040	DOOR, LH HIGH HOOD	1
19	113721	SWITCH, DOOR SAFETY	1
20	335154	HINGE, HOOD SIDE	4
21	335977	STOP, HINGED DOOR REMOVAL	4

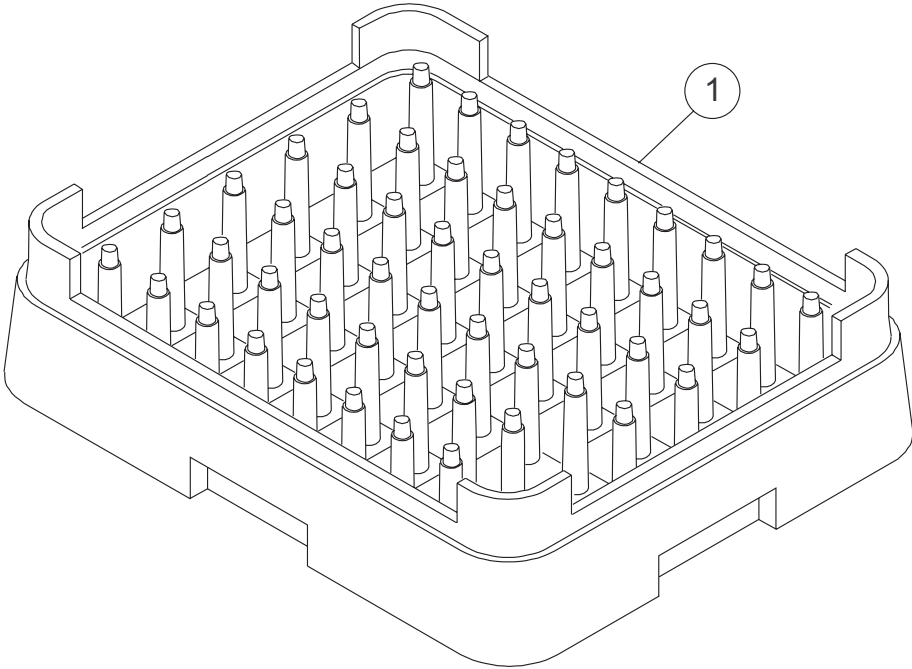
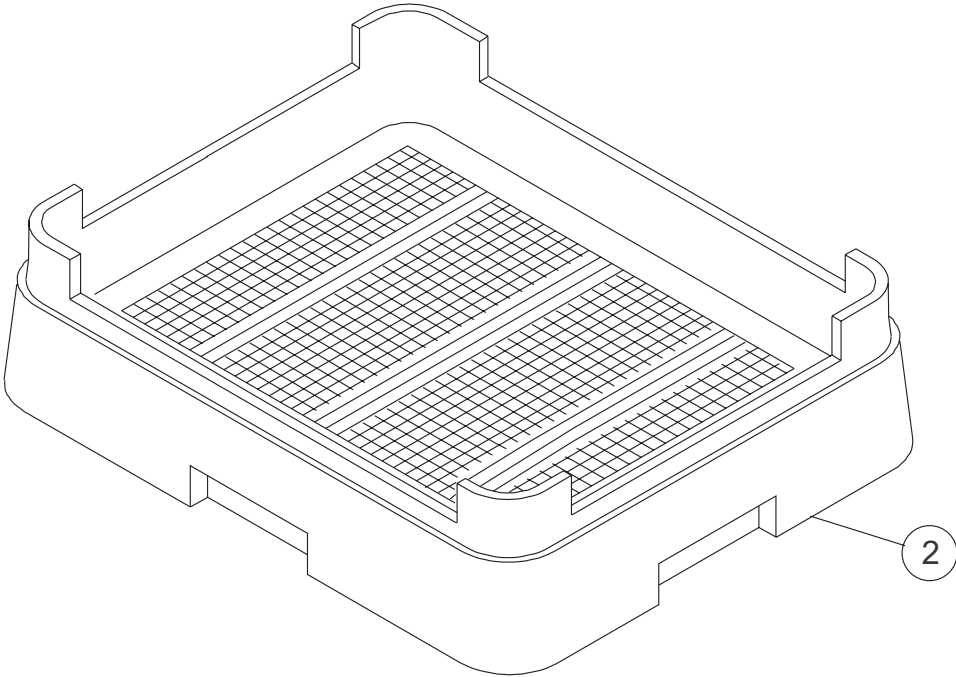
Standard Vent Cows/Splash Shields



Standard Vent Cowls/Splash Shields

Item No.	Part No.	Description	Qty.
1	401487-S	VENT STACK ASSEMBLY (INCLUDES ITEMS 2-5)	2
2	201589	REGULATOR ASSEMBLY	2
3	112258	NUT, WING 1/4-20 SST	2
4	108954	NUT, GRIP 6-32 W/NYLON INSERT	8
5	104883	SCREW 6-32 X 3/8 ROUND HEAD	8
6	337597	VENT COWL	2
7	100734	BOLT 1/4-20 X 1/2" HEX HEAD	4
8	100141	NUT GRIP 1/4-20	8
9	328995-1	SHIELD, SPLASH LH	1
10	328995-2	SHIELD, SPLASH RH	1

Dish racks



Item No.	Part No.	Description	Qty.
1	101285	PEG RACK	A/R
2	101273	COMBINATION RACK	A/R

This Page
Intentionally
Left Blank