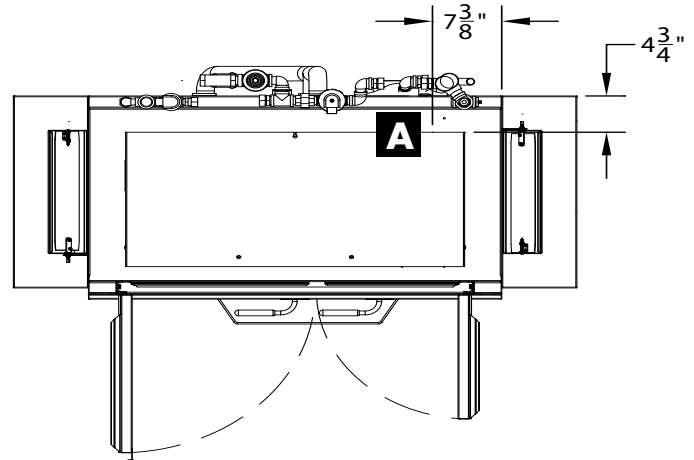
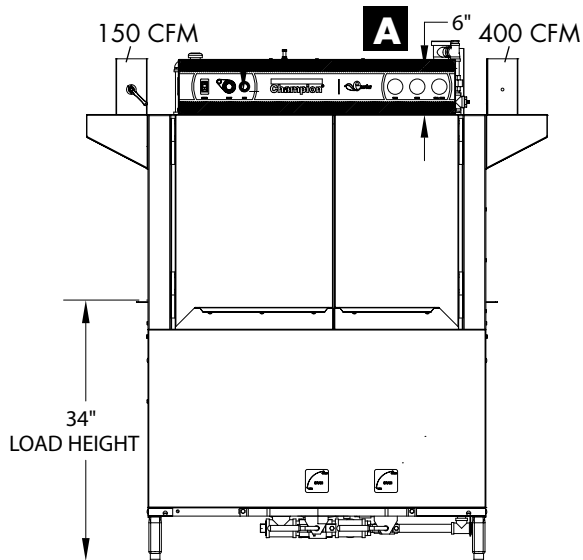


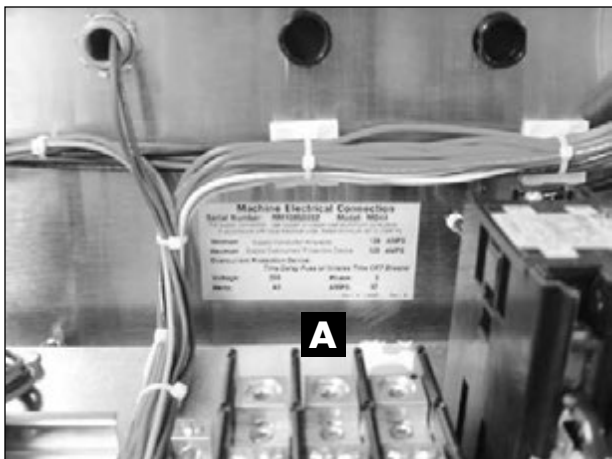
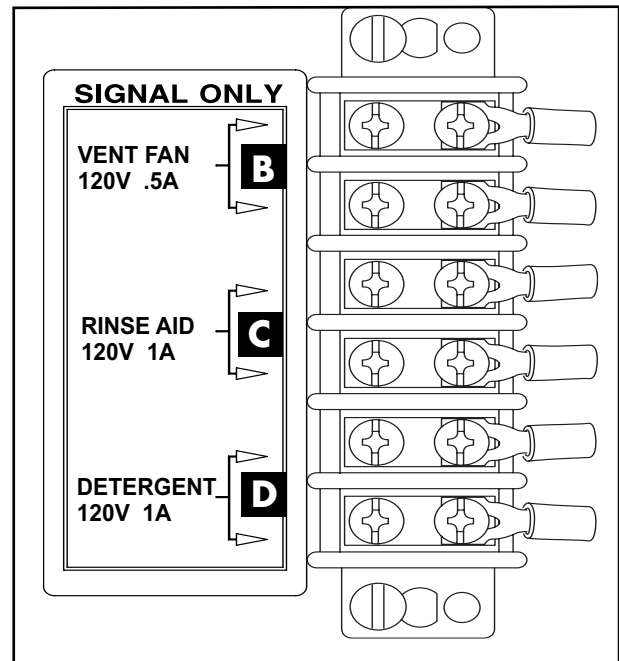
! ATTENTION ELECTRICAL INSTALLER !

Single Tank E-Rack Conveyor Models Electrical Utility Connection Guide *(Two Tank Models on reverse side)*



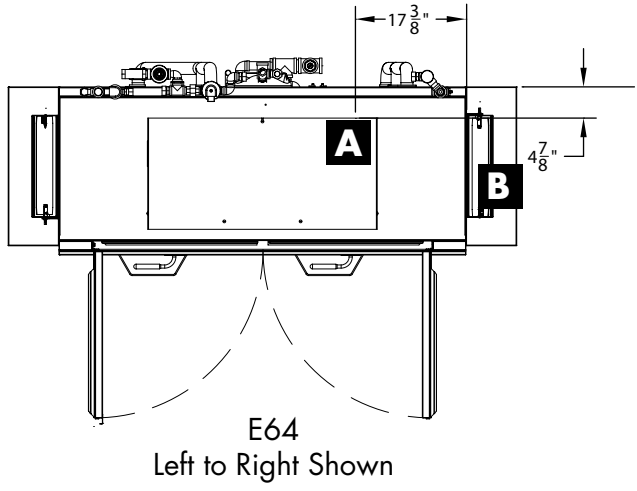
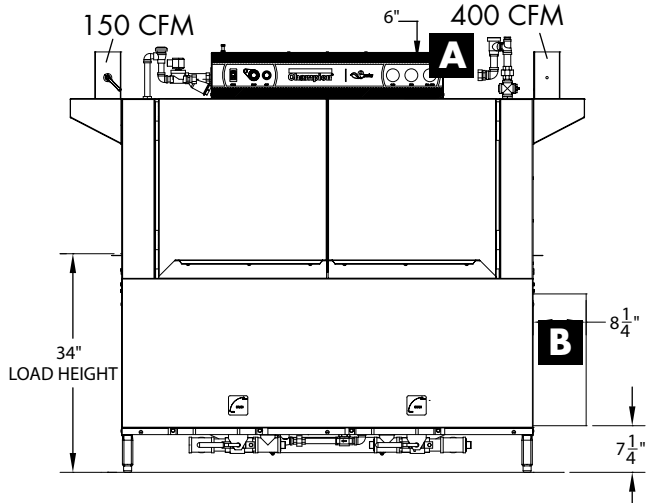
E44DR
Left to Right Shown

Main Power —	208-240V/60/3, 460-480V/60/3, 575V/60/3	A
Vent Fan —	120VAC .5 A MAX signal inside control cabinet supplies 120VAC to a control relay (supplied by others) when the dishwasher is ON and OVAC when the dishwasher is OFF. Power to operate the vent fan (supplied by others) must be supplied separately.	B
Rinse-aid —	120VAC 1.0A MAX signal inside control cabinet.	C
Detergent —	120VAC 1.0A MAX signal inside control cabinet.	D



! ATTENTION ELECTRICAL INSTALLER !

Two Tank Rack Conveyor Models Electrical Utility Connection Guide *(Single Tank on reverse side)*



Main Power —	208-240V/60/3, 460-480V/60/3, 575V/60/3	A
Booster Main Power —	208-240/60/3, 460-480/60/3, 575V/60/3	B
Vent Fan —	120VAC .5 A MAX signal inside control cabinet supplies 120VAC to a control relay (supplied by others) when the dishwasher is ON and OVAC when the dishwasher is OFF. Power to operate the vent fan (supplied by others) must be supplied separately.	C
Rinse-aid —	120VAC 1.0A MAX signal inside control cabinet.	D
Detergent —	120VAC 1.0A MAX signal inside control cabinet.	E

