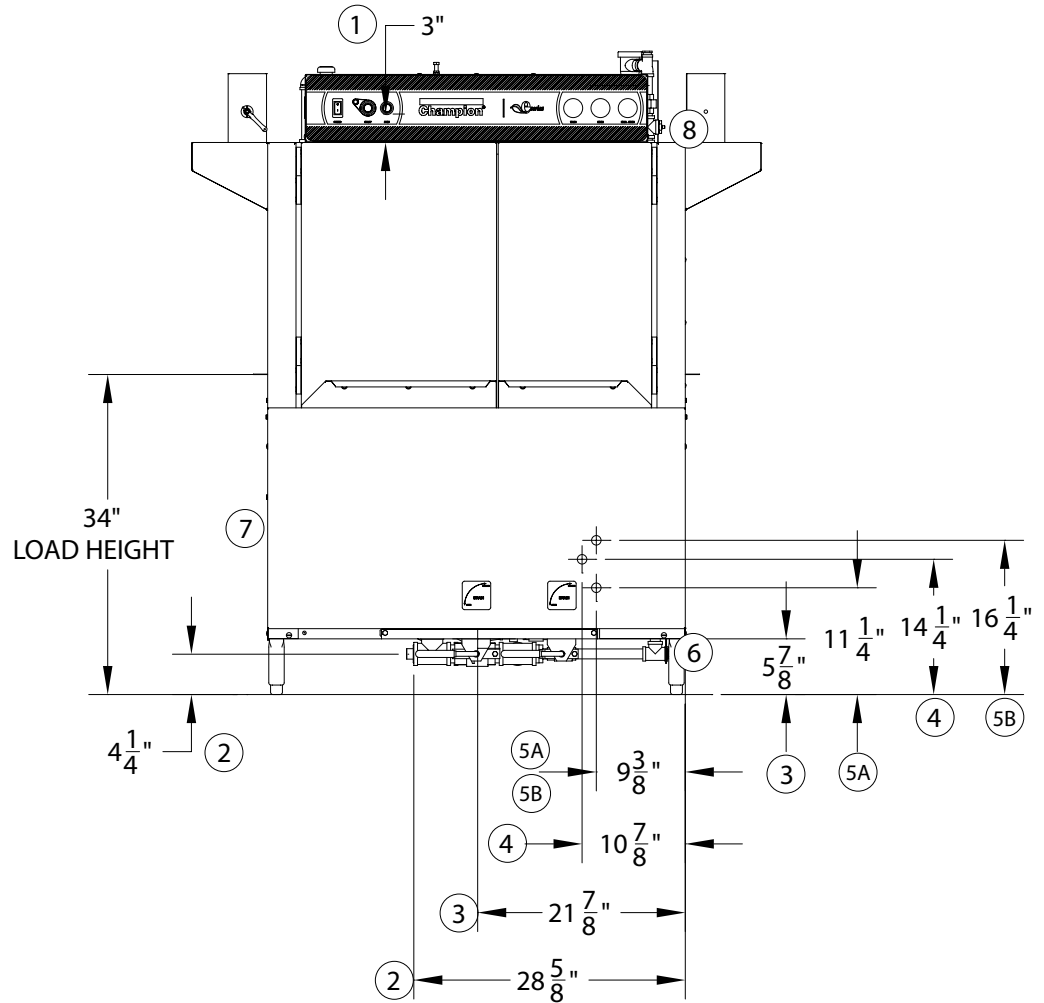


! ATTENTION PLUMBING INSTALLER !

Single Tank E-Rack Conveyor Models

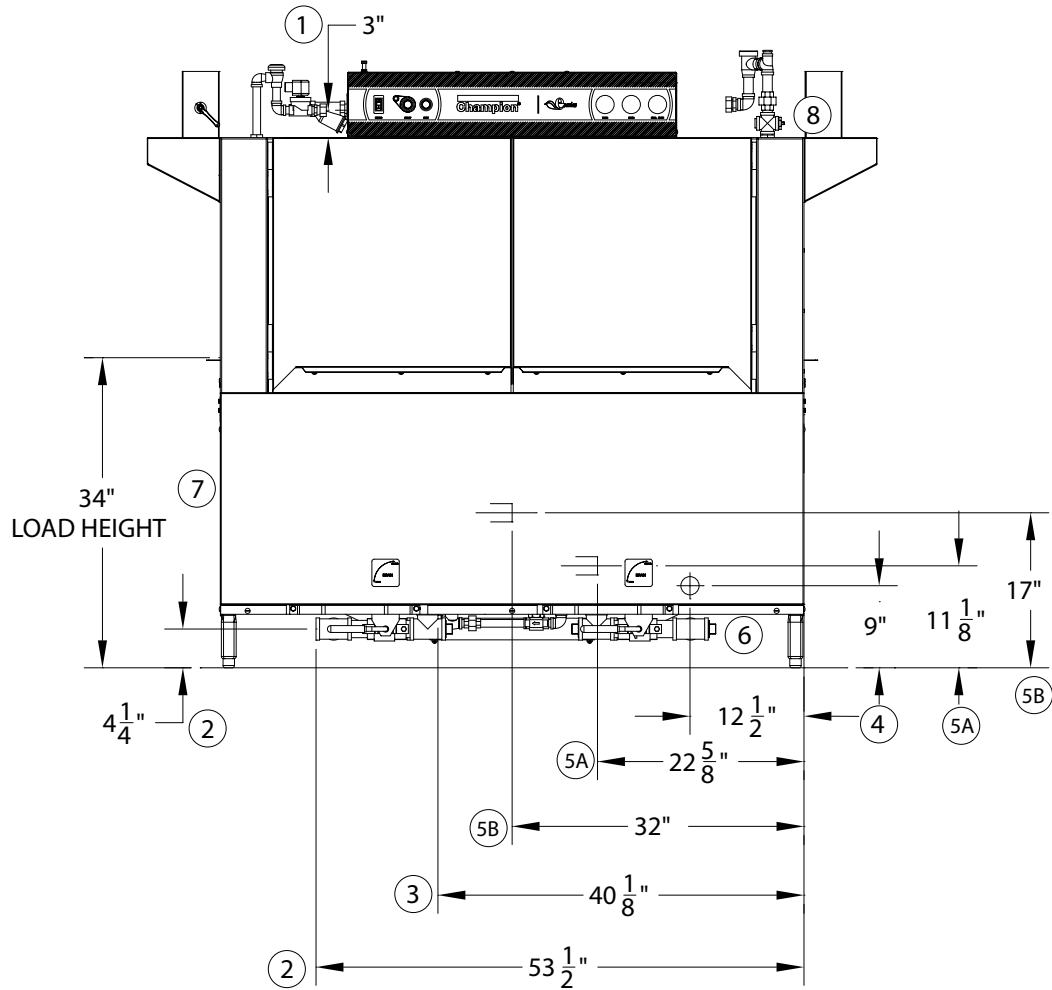
Plumbing Utility Connection Guide *(Two Tank Models on reverse side)*



Hot Water —	3/4" NPT, 20 MIN/25 MAX PSI flowing pressure 140°F/43°C Min. for 40°F/22°C rise booster 110°F/43°C Min. for 70°F/39°C rise booster	1
Drain —	1-1/2" NPT	2
(STEAM ONLY) — Condensate Return	1" NPT return to boiler (no back pressure)	3
(STEAM ONLY) — Steam Connection	1-1/4" NPT (15-30 PSI nominal)	4
(HOT WATER COIL ONLY) —	Inlet 1" NPT (5A) Return 1" NPT (5B)	5A/5B
(Optional) Cold Water — Drain Water Tempering	1/2" NPT, 55-75°F/13-24°C	6
Detergent Probe —	7/8" hole.	7
Rinse-aid —	1/8" NPT brass plug	8

! ATTENTION PLUMBING INSTALLER !

Two Tank E-Rack Conveyor Models Plumbing Utility Connection Guide *(Single Tank Models on reverse side)*



Hot Water — 3/4" NPT, 20 MIN/25 MAX PSI flowing pressure 140°F/43°C Min. for 40°F/22°C rise booster 110°F/43°C Min. for 70°F/39°C rise booster	1
Drain — 1-1/2" NPT	2
(STEAM ONLY) — 1" NPT return to boiler Condensate Return (no back pressure)	3
(STEAM ONLY) — 1-1/4" NPT (15-30 PSI nominal) Steam Connection	4
(HOT WATER COIL ONLY) — Inlet 1" NPT (5A) Return 1" NPT (5B)	5A/5B
(Optional) Cold Water — 1/2" NPT, 55-75°F/13-24°C Drain Water Tempering	6
Detergent Probe — 7/8" hole.	7
Rinse-aid — 1/8" NPT brass plug	8