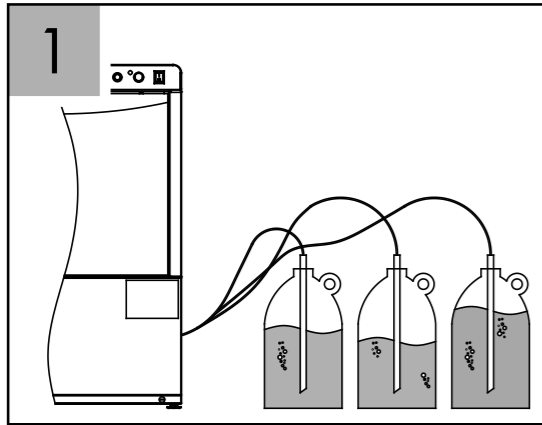
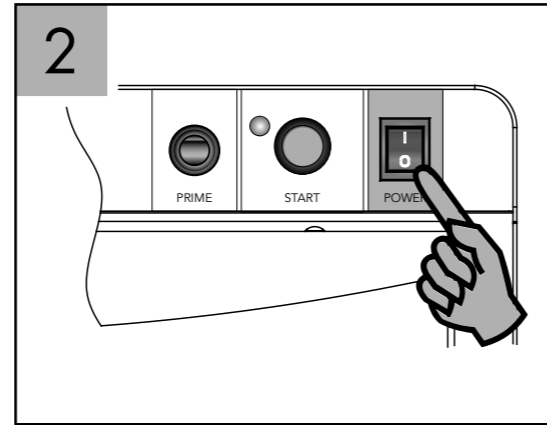


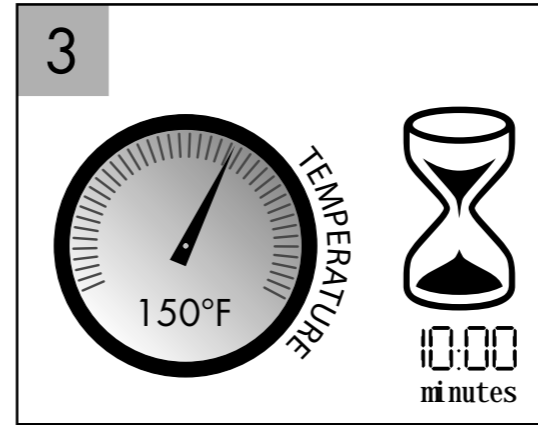
DAILY OPERATION



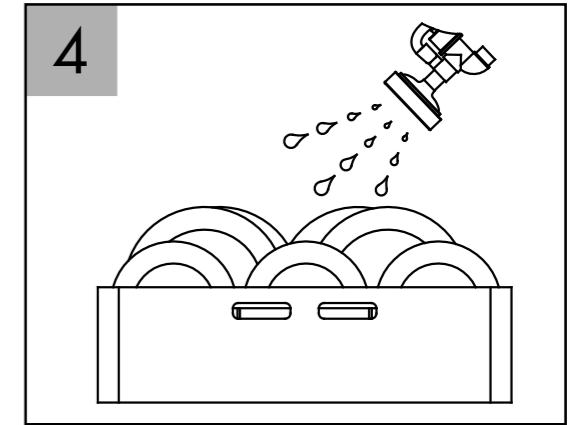
1 Check chemical levels in containers



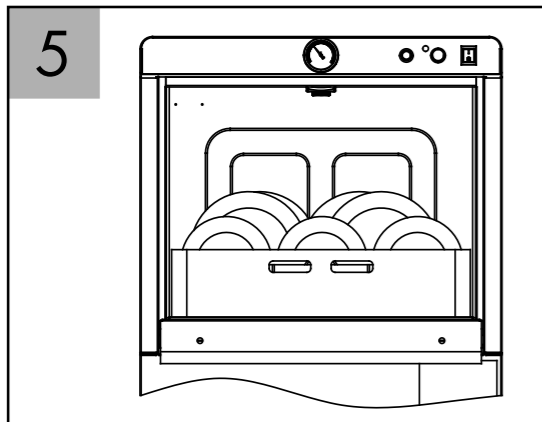
2 Flip "ON/OFF" switch to "ON" position



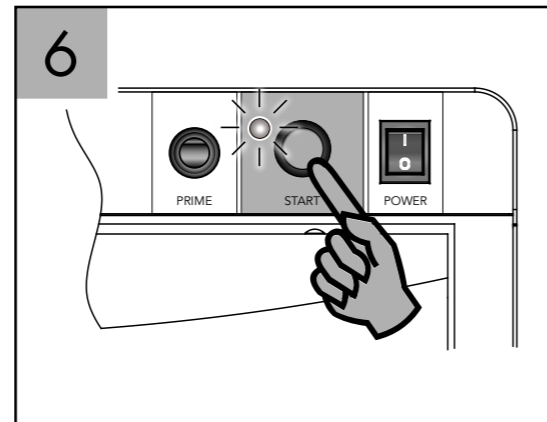
3 Wait 10 minutes for temperature gauge to read 150°F/66°C.



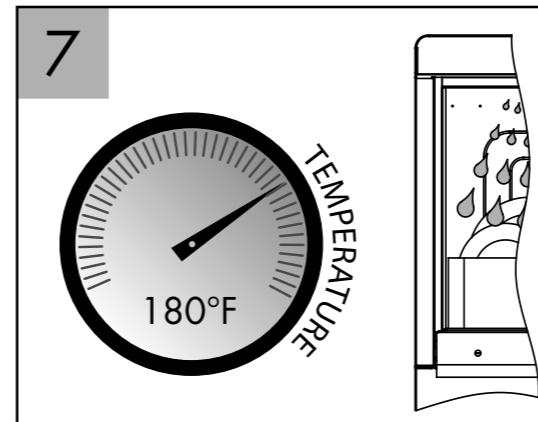
4 Prescrap wears and load into rack



5 Load rack into dishwasher



6 Close door, press and hold "START" button for 1 second and green in-cycle light will come on



7 Final rinse temperature should be a minimum of 180°F/82°C during the final rinse. (140°F/60°C for low temp. model)

Wash cycle is extended if the final rinse water is not up to 180°F/82°C on high temperature models only. For low temperature machines, sanitizer is automatically injected to ensure sanitation.

CYCLE IS COMPLETE WHEN GREEN LIGHT GOES OUT.