

# Champion®

The Dishwashing Machine Specialists

Project \_\_\_\_\_  
Item No. \_\_\_\_\_  
Quantity \_\_\_\_\_

CG4/CG6 GLASSWASHER

## STANDARD FEATURES

- Three built-in chemical dispensing pumps
- Electric tank heater
- Built-in controls
- Upper and lower wash and rinse spray system
- Stainless steel wash and rinse chamber
- Polypropylene conveyor
- Right-to-left or left-to-right operation
- Two splash curtains

## CG4/CG6

Pass Through Series  
Fully Automatic  
Glasswashing Machine



*Photo is for general visual representation only. Please refer to specifications for the latest detailed product information.*



## OPTIONS & ACCESSORIES

- CG46C Waste Sink
- CG47 Drain Tray and Waste Collector
- CG12 SST Splash Guards (CG4)
- CG24 SST Splash Guards (CG6)
- CG48 SST Back Panel (CG4)
- CG72 SST Back Panel (CG6)
- Kit 264 Washdown Hose
- Kit 332 Casters, set of 4, 2 locking, 2 regular

## SPECIFIER STATEMENT

Specified unit will be Champion model CG4 or CG6 pass-through conveyor type glasswasher.

Features include detergent, sanitizer and rinse aid pump, upper & lower wash/rinse arms, cold water final rinse, polypropylene conveyor, two splash curtains, processes 2,000 glasses/hr.

1 year parts, 90 day labor warranty.

Champion Industries, Inc.  
3765 Champion Blvd., Winston-Salem, NC 27105  
Tel: 336/661-1556 Fax: 336/661-1979  
[www.championindustries.com](http://www.championindustries.com)

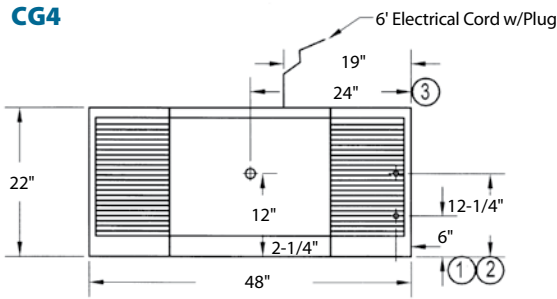
# CG4/CG6

Pass Through Series  
Fully Automatic  
Glasswashing Machine

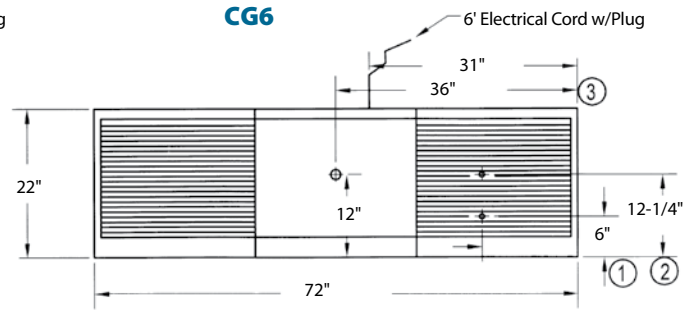
# Champion®

The Dishwashing Machine Specialists

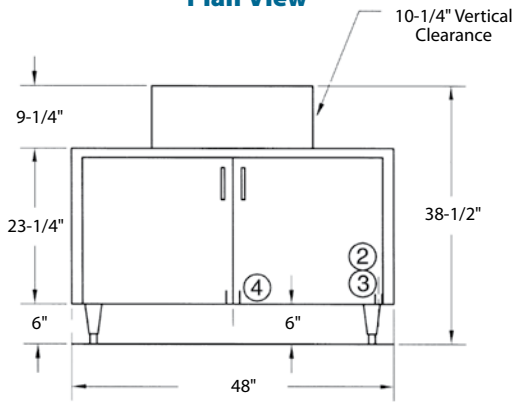
Dimensions shown in inches



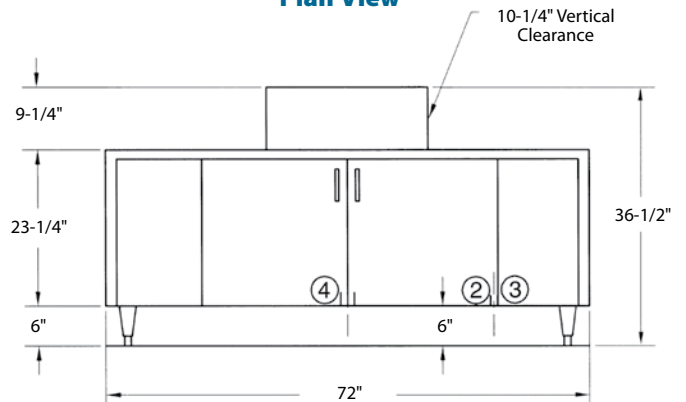
Plan View



Plan View



Front View



Front View

**Note:** Both Doors 21-1/2" High  
22" Wide

Utilities	
	<b>*Electrical</b> 208-230/60/1, 15 AMP
<b>1</b>	<b>Hot Water</b> 1/2" IPS. Flow pressure 25-95 psi
<b>2</b>	<b>Cold Water</b> 1/2" IPS. Flow pressure 25-95 psi
<b>3</b>	<b>Drain</b> 1-1/2" tailpiece. Connect to drain size according to local plumbing code.

	Uncrated		Crated	
	CG4	CG6	CG4	CG6
Height*	38-1/2"	38-1/2"	49"	49"
Width	48"	72"	63"	76-1/2"
Depth	22"	22"	27-1/2"	27-1/2"
Ship Wt. Lbs.	225	285	255	325

\*Adjustable foot height 1-3/4"

**\* Note:** CG4/CG6 models supplied with 4 ft. plug-in cord (NEMA 6-15P).

**Warning:** Plumbing and electrical connections should be made by qualified workmen who will observe all the applicable plumbing, sanitary and safety codes.

## SPECIFICATIONS

<b>Capacity (hr)</b>	2-1/2" glasses/hr.	2000
<b>Water consumption</b>	Cold Water (approx.)	2.8 gpm
	Hot Water (initial fill)	2.8 gpm
	(Max. use – approx. 10 gph)	
<b>Temperatures °F</b>	Inlet water (hot) min/max	145/160
	Inlet water (cold)	75
<b>Heating</b>	Tank heat, electric, (kW)	3
<b>Clearance</b>	Through machine (inches)	10-1/4"
<b>Conveyor Speed</b>	Inches per minute	14

Due to an ongoing value analysis program at Champion, specifications contained in this catalog are subject to change without notice.

Champion Industries, Inc., 3765 Champion Blvd., Winston-Salem, NC 27105 • 336/661-1556 • Fax: 336/661-1979 • www.championindustries.com