

Champion®

The Dishwashing Machine Specialists

Project _____

Item No. _____

Quantity _____

EBD BLOWER DRYER

STANDARD FEATURES

- Automatic heat cutoff (when conveyor stops)
- Blower motor, 2-Hp
- Blower-Dryer vent cowl on exit end
- Choice of electric or steam heat
- Control circuit, 120-volt, completely interwired with dishwashing machine controls
- Heavy gauge stainless steel frame and cabinet
- Machine vent connection, 7" stack with locking damper
- Separate blower-dryer "auto/off" switch
- Thermal overload protection for electric blower-dryer
- 48" hood design

EBD

Blower-dryer for Flight / Rack Conveyor Dishwashing Machines



Blower for Rack Conveyor Shown



SPECIFICATIONS

Motor horsepower	2
Heating	
Electric, (kW)	12
Steam (lbs/hr. required at 15 psi flow pressure)	65

SPECIFIER STATEMENT

Specified unit will be Champion model EBD blower-dryer for rack / flight conveyor dishwashing machines. Features include automatic heat cut-off, 2 Hp blower motor, vent cowl on exit end, separate auto/off switch for blower / dryer.

1 year parts and labor warranty.

This EBD catalog sheet is designed to be used in conjunction with the Champion Rack and Flight Conveyor Series catalog sheets.

Champion Industries, Inc.
2674 N. Service Road,
Jordan Station, Ontario, Canada L0R 1S0
Tel: 905/562-4195 Fax: 905/562-4618

Champion Industries, Inc.
3765 Champion Blvd., Winston-Salem, NC 27105
Tel: 336/661-1556 Fax: 336/661-1979
www.championindustries.com

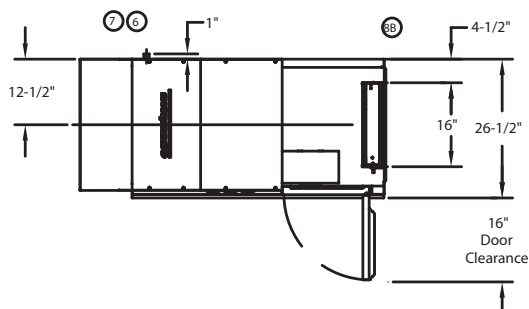
CH038

(PDF) 10/13 Printed in U.S.A.

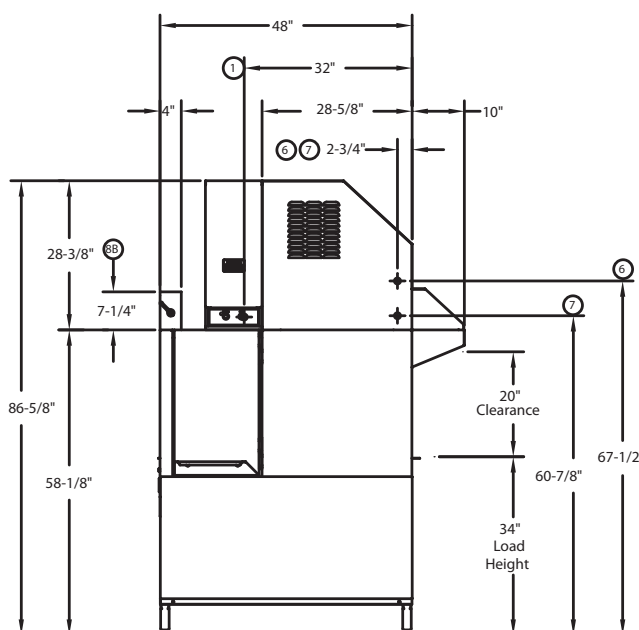
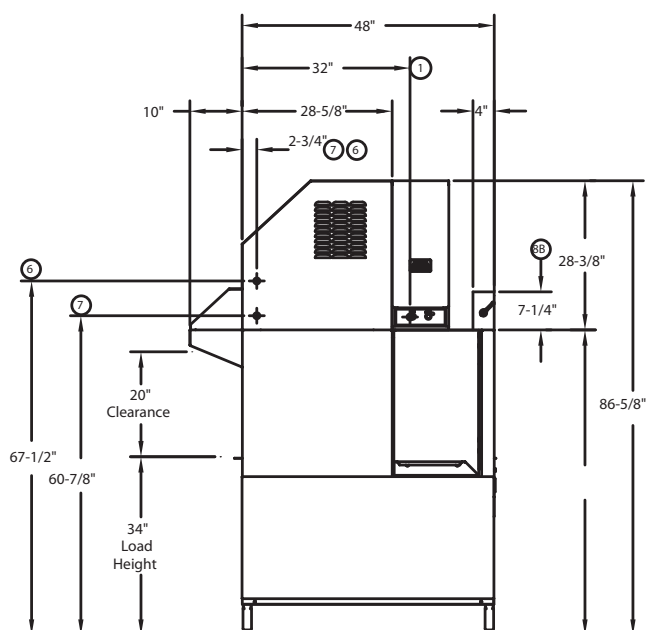
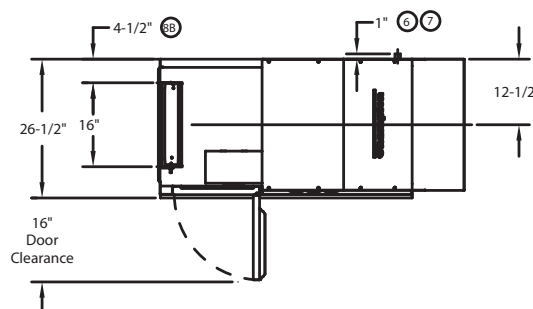


EBD Blower Dryer For Rack Machine Electric

Right-to-Left



Left-to-Right



Model EBD Electric Heat

Voltage	Rated Amps	Minimum Supply Circuit Ampacity	Maximum Overcurrent Protective Device
208/60/3	40	50	50
240/60/3	35	45	45
480/60/3	17	25	25
575/60/3	15	20	20

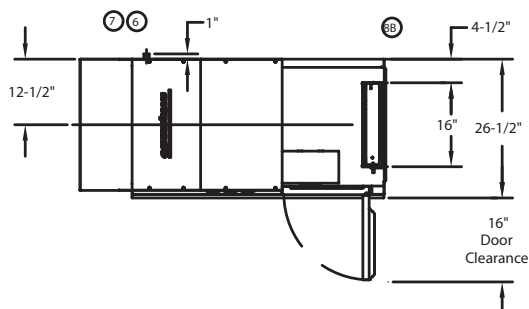
Note: When machine is equipped with blower/dryer system, for normal size dishroom, the dishroom ventilation should be increased by 600 CFM.

Rack

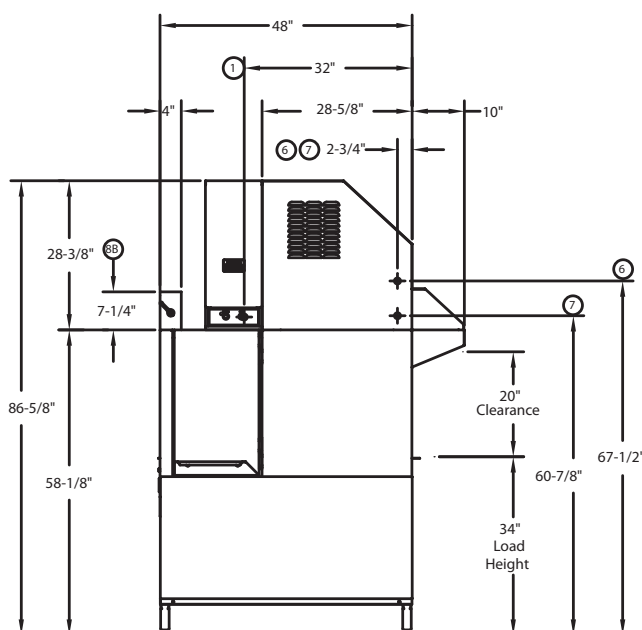
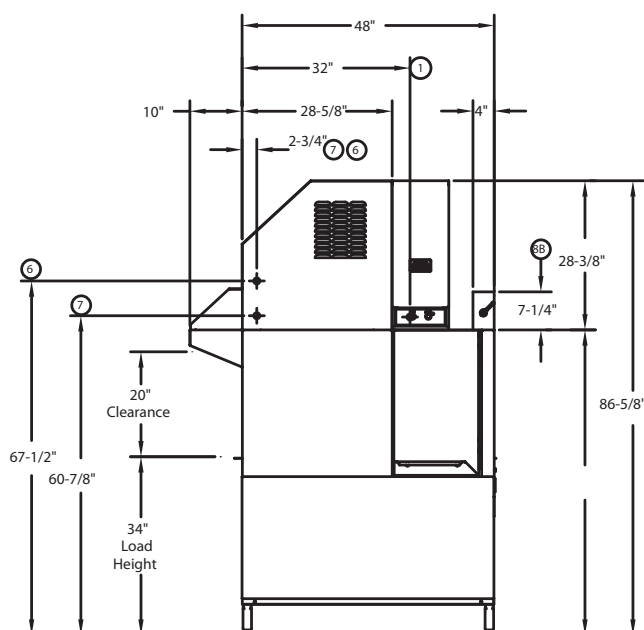
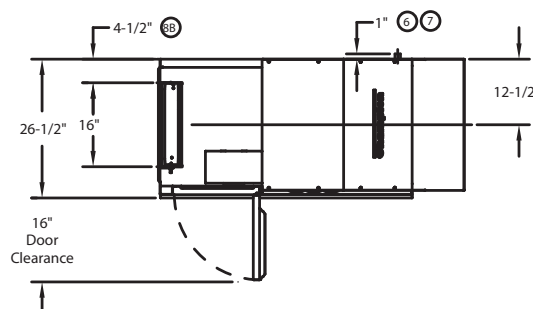
Utilities	
1	Electrical - See chart
5A	Drain Trunk
8B	Vent Unload 800 CFM 1/4" S.P.

EBD Blower Dryer For Rack Machine Steam

Right-to-Left



Left-to-Right



Model EBD Steam Heat

Voltage	Rated Amps	Minimum Supply Circuit Ampacity	Maximum Overcurrent Protective Device
208/60/3	7	15	15
240/60/3	6	15	15
480/60/3	3	15	15
575/60/3	3	15	15

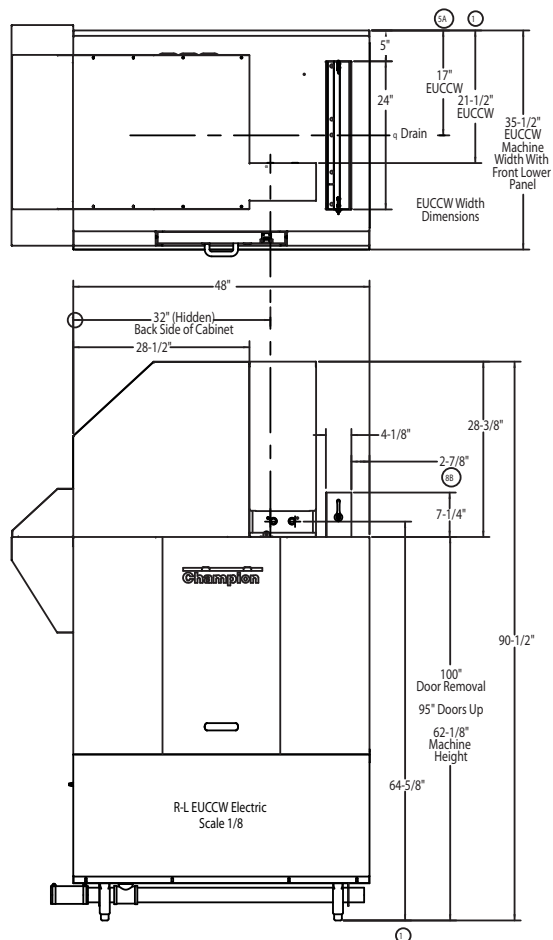
Note: When machine is equipped with blower/dryer system, for normal size dishroom, the dishroom ventilation should be increased by 600 CFM.

Rack

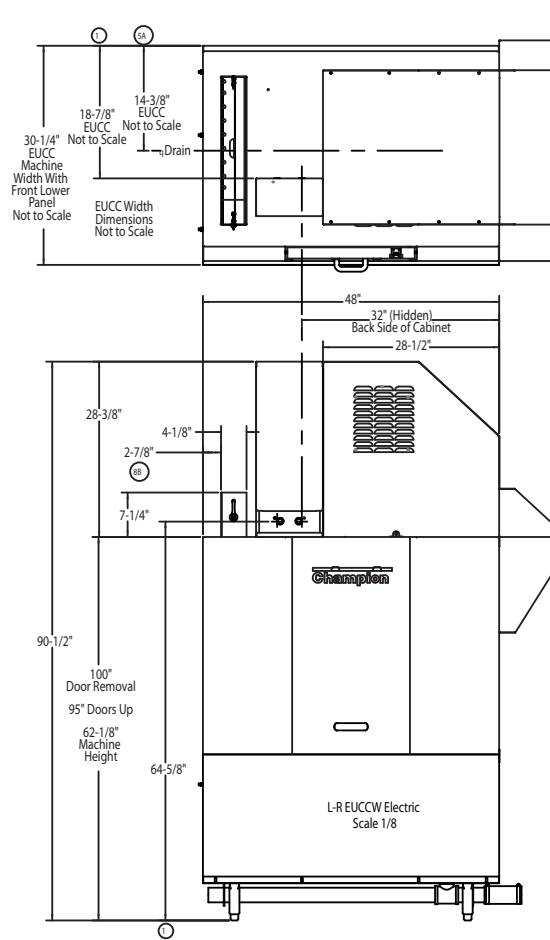
Utilities	
1	Electrical – See chart
5A	Drain Trunk
6B	Steam 3/4" steam inlet connection; 65 lbs./hr. @ 15-30 PSI
7B	Condensate 1/2" return to boiler (no back pressure)
8B	Vent Unload 800 CFM 1/4" S.P.

EBD Blower Dryer For Flight Machine Electric

Right-to-Left



Left-to-Right



Model EBD Electric Heat

Voltage	Rated Amps	Minimum Supply Circuit Ampacity	Maximum Overcurrent Protective Device
208/60/3	40	50	50
240/60/3	35	45	45
480/60/3	17	25	25
575/60/3	15	20	20

Note: When machine is equipped with blower/dryer system, for normal size dishroom, the dishroom ventilation should be increased by 600 CFM.

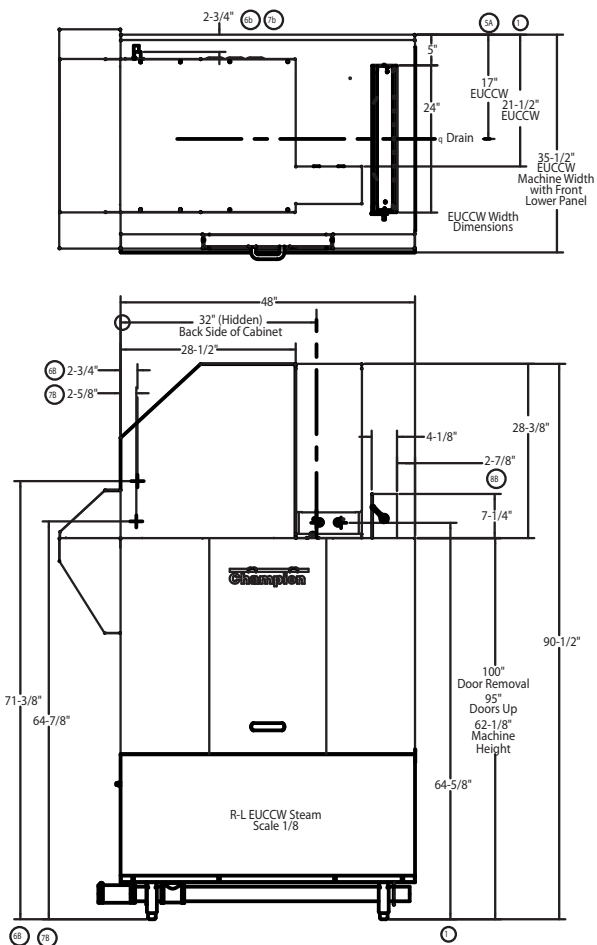
EUCC, EUCCW

Utilities	
1	Electrical – See chart
5A	Drain Trunk
8B	Vent Unload 800 CFM 1/4" S.P.

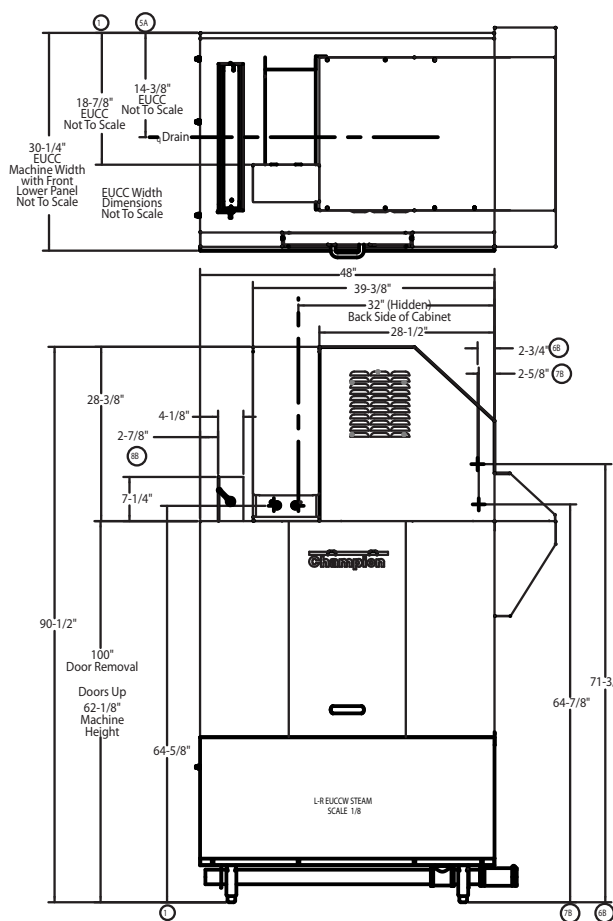
EBD Blower Dryer For Flight Machine

Steam

Right-to-Left



Left-to-Right



Model EBD Steam Heat

Voltage	Rated Amps	Minimum Supply Circuit Ampacity	Maximum Overcurrent Protective Device
208/60/3	7	15	15
240/60/3	6	15	15
480/60/3	3	15	15
575/60/3	3	15	15

Note: When machine is equipped with blower/dryer system, for normal size dishroom, the dishroom ventilation should be increased by 600 CFM.

EUCC, EUCCW

Utilities	
1	Electrical – See chart
5A	Drain Trunk
6B	Steam 3/4" steam inlet connection 65 lbs./hr. @ 15-30 PSI
7B	Condensate 1/2" return to boiler (no back pressure)
8B	Vent Unload 800 CFM 1/4" S.P.

Due to an ongoing value analysis program at Champion, specifications contained in this catalog are subject to change without notice.