

Champion®

The Dishwashing Machine Specialists

Project _____
 Item No. _____
 Quantity _____

UH130B UNDERCOUNTER

STANDARD FEATURES

- **NEW "Shear Energy"** – a reduction in energy requirements while maximizing performance!
- **NEW "Multi-Power"** – includes **"Multi-Volt"** and **"Multi-Phase"**. Allows for infield conversion to 208-240 volt and/or single to three phase with ease.
- **StemSure™** – Soft start to protect glasses and dishes from chipping and breaking
- **Wash Refresh™** – Automatically drains the water for the next cycle, ensuring heavily soiled items are always sanitized with new wash water
- Rinse Sentry – extends the cycle time to ensure 180°F final rinse.
- Built-in electric booster for 180°F final rinse water (70°F/21°C rise)
- Soft start
- Pumped drain
- Door safety switch
- Low-water tank heat protection
- Detergent and rinse aid pumps
- Quiet double-wall construction
- 15-3/4" door opening to accept larger wares, including trays
- Stainless steel top and side panels
- 141 second cycle
- Wash pump, 1 Hp motor
- Prime switch on control panel
- Automatic tank fill
- Advanced Digital Temperature Monitoring
- One year parts and labor warranty

UH130B

Undercounter High Temperature Dishwashing Machine with Built-in Booster Heater



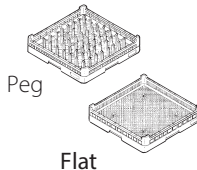
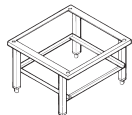
NEW FEATURES



Photo is for general visual representation only. Please refer to specifications for the latest detailed product information.

OPTIONS & ACCESSORIES

- Additional Dish Racks**
- 17" Stand** Stainless Steel
- 6" Leg Stand**
- 9kW High Speed Booster**
- 3 Phase Connection** (prewired at factory)
- 1" Roller Kit** (includes 4 casters)
- Power cord kit**
- NEW Champion ION scale prevention system**
- Chemical alarm kit (mounted)**



SPECIFIER STATEMENT

Specified unit will be Champion model UH130B undercounter high temperature dishwashing machine with built-in booster heater.

Features 141 second total cycle, Rinse Sentry, detergent and rinse aid pump, stainless steel top and side panels. Constructed of stainless steel.

1 year parts and labor warranty.

Note: Vent hood is not recommended, as unit does not produce excessive steam.

Note: Always follow local building code guidelines.

Champion Industries, Inc.
 3765 Champion Blvd, Winston-Salem, NC 27105
 Tel: 336/661-1556 Fax: 336/661-1979
www.championindustries.com

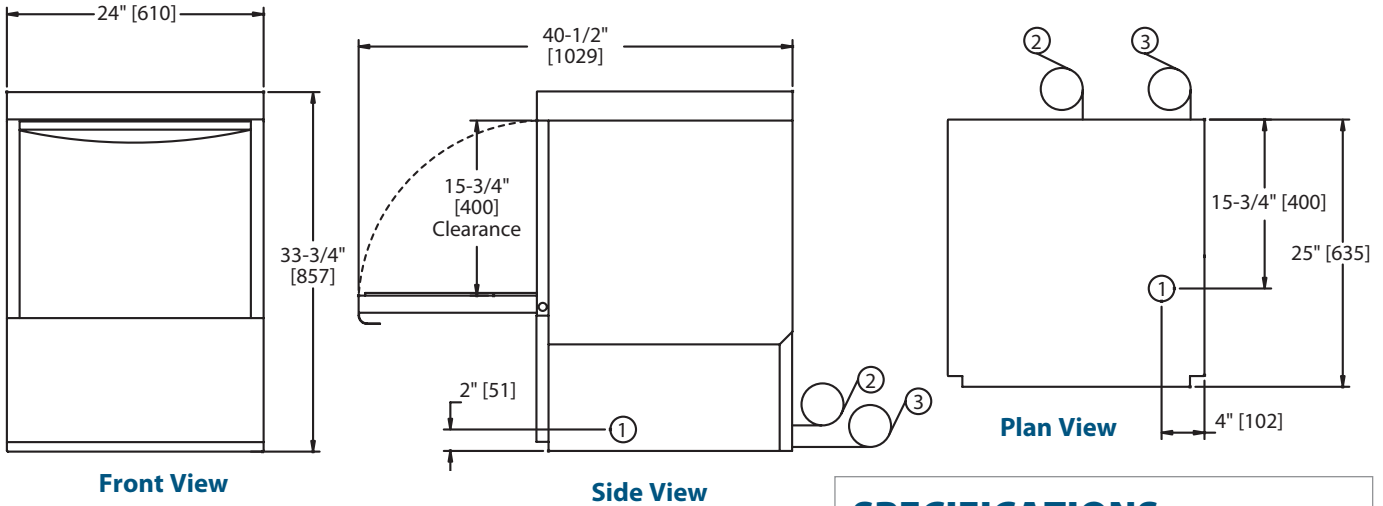
UH130B

Undercounter High Temperature Dishwashing Machine with Built-in Booster Heater

Champion[®]
The Dishwashing Machine Specialists

Volume crated: **15 cu. ft.**
Shipping weight crated: **215 lbs.**

Dimensions shown in inches and [millimeters]



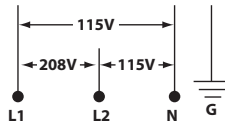
Utilities	
1	Electrical 208-240/60/1; 3 wire plus ground, (See box). 208-240/60/3; 4 wire plus ground, (See box). Field convertible to accept 3 phase power, see service manual for details
2	Hot Water 1/2" supply; 110°F/43°C Min. hot water connection for 70°F/39°C rise booster. Machine equipped with 3/4" [19] hose connector. Flow pressure: 25-95 psi.
3	Pumped Drain 5/8" [15.9] I.D. flexible reinforced hose, 6 ft. [1829] long. Max. drain flow 15 US gpm. [12.5 imp gal] Max. drain height 3 ft. [914]

Complies with ANSI/ASSE 1440 Sections 1.4.3 & 1.4.4

Warning Plumbing and electrical connections should be made by qualified personnel who will observe all the applicable plumbing, sanitary and safety codes and the National Electrical Code.

UH130B with 70°F/39°C Rise Booster, 6kW			
Elec. Specs.	Rated Amps	Minimum Supply Ckt. Conductor Ampacity	Maximum Overcurrent Protective Device
208/60/1	32	40	40
240/60/1	36	40	40
208/60/3	22	30	30
240/60/3	24	30	30

UH130B with 9kW High Speed Rise Booster			
Elec. Specs.	Rated Amps	Minimum Supply Ckt. Conductor Ampacity	Maximum Overcurrent Protective Device
208/60/1	45	60	60
240/60/1	50	60	60
208/60/3	29	35	35
240/60/3	33	40	40



***Note:** Electrical supply service must be a 3-wire plus ground for connection as shown.

Due to an ongoing value analysis program at Champion, specifications contained in this catalog are subject to change without notice.

Champion Industries, Inc.,
3765 Champion Blvd., NC 27105
336/661-1556 • Fax: 336/661-1979
ChampionIndustries.com

SPECIFICATIONS

Capacity*	
Racks per hr.	25
Cycle time (seconds)	141
Motor horsepower	
Wash	1
Water consumption	
U.S. Gal./Imperial Gal. (Max. use) per hr.	38/31.7
U.S. Gal./Imperial Gal. per rack	1.8/1.5
Temperatures °F/°C	
Wash	150/66
Rinse	180/82
Heating	
Tank heat, electric, kW	2.0
Electric booster (kW) required for 70°F/39°C rise)	6
Electric high speed (kW) booster for 100°F rise)	9
Time cycle in seconds	
Wash	90
Rinse	26
Drain/fill	25
Total cycle	141
Standard 20" x 20" rack complement	
Dish	1
Open	1

* at 140°F incoming water