



Simply Engineered Better

501LT

Undercounter Low Temperature Dishwashing Machine



Shown with optional top and side panels.

Project _____
 Item No. _____
 Quantity _____

STANDARD FEATURES

- **NEW!** Soft start provides gradual and quiet pump activation and prevents dish and glass breakage
- **NEW!** Top-mounted, user friendly, operator controls
- **NEW!** All stainless steel frame
- **NEW!** More powerful, yet whisper quiet, 1 Hp pump motor
- **NEW!** Upper and lower interchangeable spray arms
- **NEW!** Push button activation prevents unnecessary and wasteful cycling
- Fill and dump type operation. Rinse water always re-used as next cycle's wash water. Low 1.5 imp gal (7L) water usage per rack.
- Electric tank heater (.75 kW)
- Liquid detergent, sanitizer and rinse-aid dispensing pumps complete with prime switches
- Flexible fill and drain lines, flow regulator/line strainer and standard pumped drain for total ease of installation
- Quick 141 second cycle time. 21 racks per hour capacity
- Large 15-3/4" [400mm] door opening accommodates trays
- Rugged, counter-balanced, double skin door, for quieter operation
- Complete with two 20" x 20" [508 x 508 mm] racks (one peg and one flat)
- One year parts and labor warranty

SPECIFIER STATEMENT

Dishwasher will be Moyer Diebel model 501LT low temperature undercounter dishwasher, complete with 1 Hp pump motor, soft start feature, all stainless steel frame and fill and dump type operation. Machine to have a minimum of 15-3/4" [400mm] opening to accommodate trays.

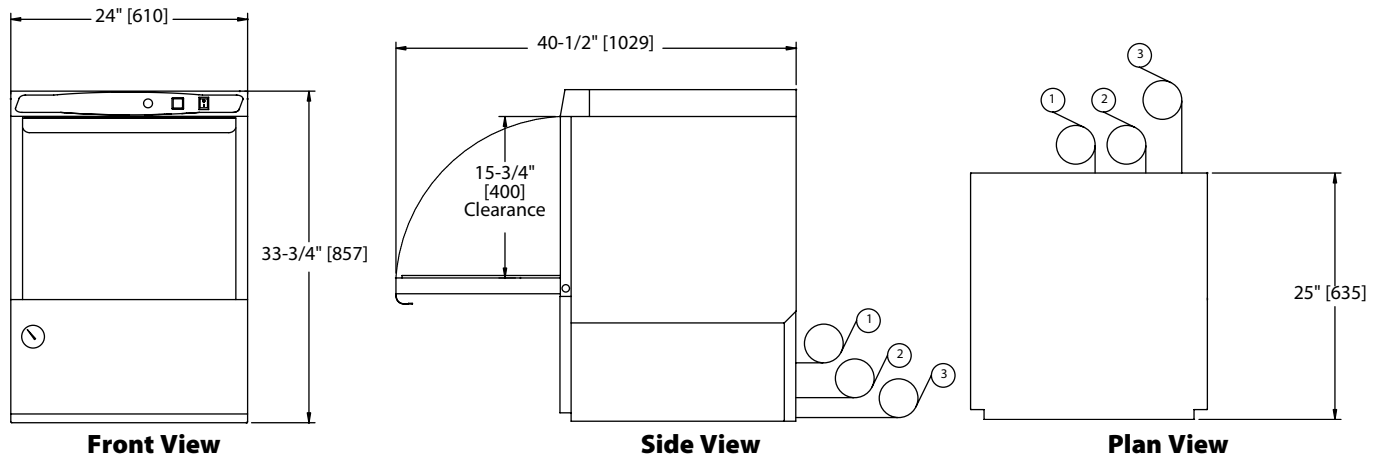
1 year parts and labor warranty.



OPTIONS & ACCESSORIES

- | | |
|---|-------------|
| <input type="checkbox"/> Top and side panel kit | P/N 0712390 |
| <input type="checkbox"/> CST- Combination sink/table Machine on right | P/N 403561 |
| <input type="checkbox"/> CST- Combination sink/table Machine on left | P/N 403562 |
| <input type="checkbox"/> Flat bottom dishrack | P/N 101273 |
| <input type="checkbox"/> Peg dishrack | P/N 101285 |
| <input type="checkbox"/> 6" Stand | P/N 0712393 |
| <input type="checkbox"/> 17RS – 17" Stand | P/N 0708757 |

Dimensions shown in inches and [millimeters]



Utilities	
1 Electrical Connection	115/60/1; 12 amp draw; to be fused at 15 amp. 4ft. plug-in cord supplied.
2 Water Connection	140°F Min., 1/2" supply hot water connection 6 ft. long, 1/2" I.D. flexible fill hose with 3/4" hose connector Flow pressure: 25-95 psi (173-656 kPa)
3 Drain Connection	6 ft. long, 5/8" I.D. flexible drain hose Max. drain flow: 7 imp.gpm; 30 lpm

	Uncrated	Crated
Height*	33-3/4"	39-1/2"
Width	24"	25"
Depth	25"	25-1/2"
Ship Wt. lbs	178	198

* Front leveling feet provided.

SPECIFICATIONS	
Capacity	
Racks per hr.	21
Motor Horsepower	
Wash	1
Water Consumption	
Imp.gal./liters per hr. (max. use)	31.9/145
Imp.gal./liters per rack	1.5/6.8
Temperatures °F/°C	
Wash (minimum)	140°/60°
Rinse (minimum)	140°/60°
Heating	
Tank heat, electric (kW)	.75
Time Cycle in Seconds	
Wash	90
Rinse	26
Drain/fill	25
Total	141

Warning: Plumbing and electrical connections should be made by qualified personnel who will observe all the applicable plumbing, sanitary and safety codes. Due to an ongoing value analysis program at Moyer Diebel, specifications in this catalog are subject to change without notice.