



Simply Engineered Better

### STANDARD FEATURES

- Certified to NSF Standard #3 for 5 log pathogen reduction
- Machine use by Operator only (employee)
- Max basket size 25" x 14" x 16" capacity
- Wash and rinse system provides a clean basket.
- Precisely calibrated two pump injection system deliveries right amount of chemical each time
- Cold final rinse water provides a clean basket for immediate use
- Splash curtains providing deflection of splash
- Upper and lower wash and rinse arms
- Available in either right-to-left or left-to-right operation
- Comes with splash guards on all four sides
- 1 year parts and labour warranty



COVID-19 Fighter  
Sanitized in 90 seconds!



RETAIL BASKET WASHER  
SANITIZE YOUR RETAIL BASKETS



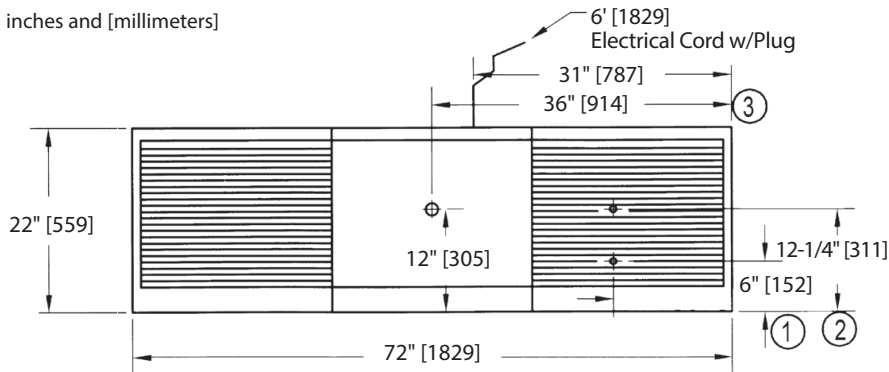
### OPTIONS & ACCESSORIES

- Washdown hose P/N 0701956
- Casters; set of 4, 2 locking, 2 stationary P/N 0701962

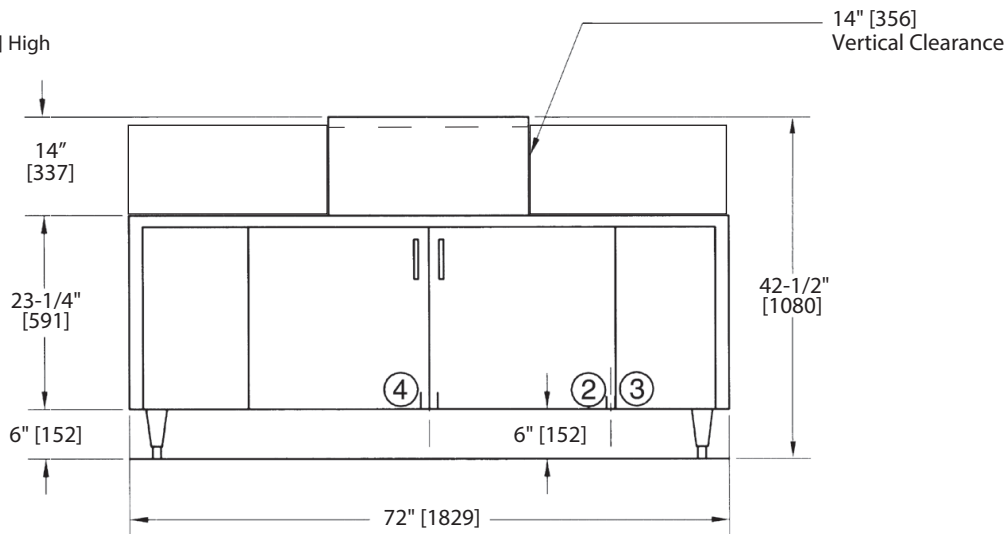
Moyer Diebel –Canada

2674 North Service Rd., Jordan Station, Ontario, Canada L0R 1S0 Tel: 905/562-4195 Fax: 905/562-4618  
800/263-5798 sales@moyerdiebellimited.com

Dimensions shown in inches and [millimeters]



NOTE: Both Doors: 21-1/2" [546] High  
22" [559] Wide



Utilities	
<b>1 Electrical</b>	208 - 230/60/1, 15 amp (Supplied with 4ft. [1219] plug-in cord NEMA6-15P)
<b>2 Hot Water Connection</b>	1/2" IPS. Flow pressure 25-95 psi (173-656 kPa)
<b>3 Cold Water Connection</b>	1/2" IPS. Flow pressure 25-95 psi (173-656 kPa)
<b>4 Drain Connection</b>	1/2" IPS. Flow pressure 25-95 psi (173-656 kPa) 1-1/2" tailpiece. Connect to drain size according to local plumbing code.

	Uncrated	Crated
	<b>RBW-600</b>	<b>RBW-600</b>
<b>Height*</b>	38-1/2" [978]	49" [1244]
<b>Width</b>	72" [1882]	76-1/2" [1942]
<b>Depth</b>	22" [559]	27-1/2" [698]
<b>Ship Wt. lbs/kg</b>	285/129	325/147

\* Adjustable foot height - 1-1/4" [32]

## Specifications

<b>Capacity</b>	
Basket Per Hour	Up to 60
<b>Water Consumption</b>	
Cold water	1.8 US gpm 6.8 liters/min
Hot water (initial fill)	1.49 imp. gpm 3 US gallons 11.35 liters
	2.4 imp. gallons (Max. use-approx. 10 US gph/8.3 imp gph)
<b>Temperatures °F/C</b>	
Inlet water (hot)	140-160/60-71
Inlet water (cold)	75/24
<b>Heating</b>	
Tank heat, electric (kW)	3
<b>Conveyor</b>	
Speed inches/millimeters per min.	14/356

Warning: Plumbing and electrical connections should be made by qualified personnel who will observe all the applicable plumbing, sanitary and safety codes.